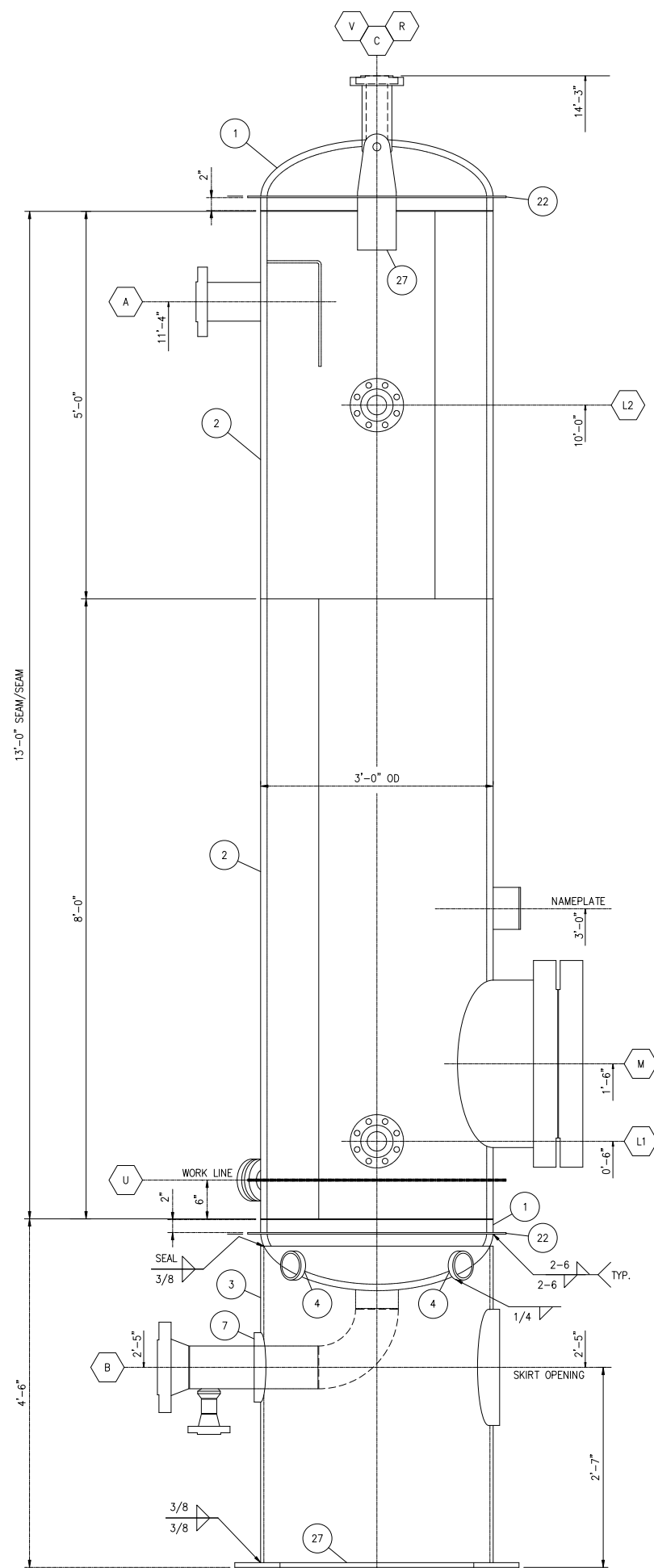


PLAN (TOP VIEW)
SCALE: 1-1/2"=1'-0"



ELEVATION
SCALE: 1"=1'-0"

DO NOT DUPLICATE

GENERAL NOTES:

1. ALL BOLT HOLES TO STRADDLE THE NORMAL VESSEL CENTERLINE.
2. ALL TAILED DIMENSIONS FROM WORK LINE.
3. PLAN DESIGNATES TRUE ORIENTATION (TOP DOWN VIEW).

REV	DATE	REVISIONS	DWN	CHK	APP
2	01/14/16	REVISED NOZZLE ID AND MOVED MANWAY DAVIT	TB	-	-
1	12/21/15	REVISED NOZZLES C&V ID AND NOZZLE H ELEVATION	TB	-	-
0	12/3/15	ISSUE FOR FABRICATION	TB	-	-
A	11/04/15	ISSUE FOR APPROVAL	TB	-	-

DRAWN BY:	T. BRIDGES	DATE:	11/02/15	SCALE:	AS SHOWN	CHECKED BY:	-	APPROVED BY:	-
-----------	------------	-------	----------	--------	----------	-------------	---	--------------	---



Summit Energy Equipment
41 HC PIONEER PKWY
SULPHUR SPRINGS, TX 75482
PH: 903-951-1217
www.summitenergyequipment.com

KPE
KP ENGINEERING

HOLLY FRONTIER J-1422 B
DEBUTANIZER REBOILER CONDENSATE POT
TAG# 374-D-PV-221

UNLESS OTHERWISE SPECIFIED,
DIMENSIONS ARE IN INCHES.

PROPRIETARY AND CONFIDENTIAL

THE INFORMATION CONTAINED IN THIS DRAWING IS THE SOLE PROPERTY OF SUMMIT ENERGY EQUIPMENT. ANY REPRODUCTION IN PART OR AS A WHOLE WITHOUT THE WRITTEN PERMISSION OF SUMMIT ENERGY EQUIPMENT IS PROHIBITED.

PLAN & ELEVATION DRAWING

PROJECT NUMBER	QUALITY CONTROL APPROVED	SHEET	REV:	DRAWING NUMBER
11392	DATE _____ BY _____	1of2	2	200-021-010-001-01