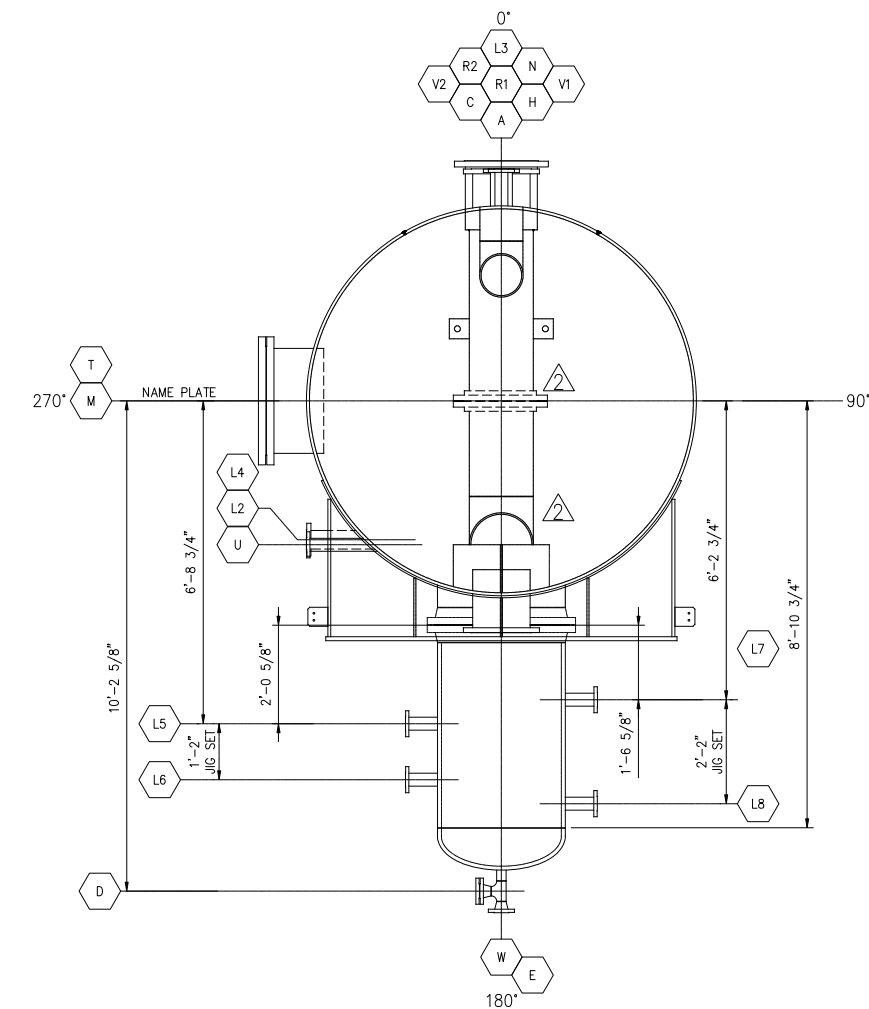
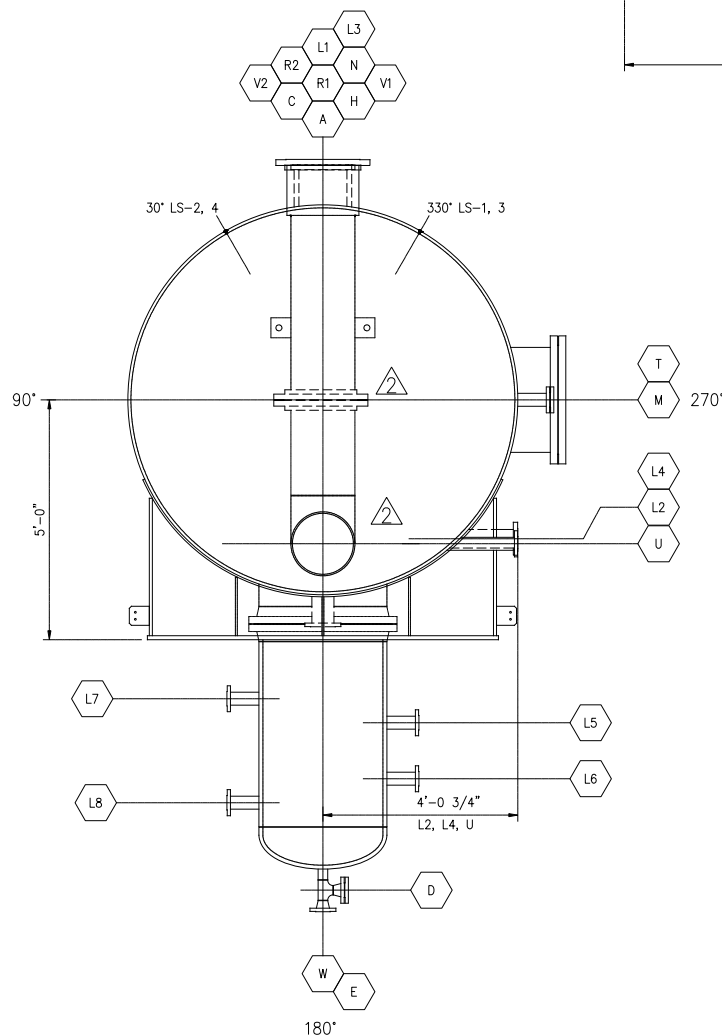


SIDE ELEVATION
SCALE: 1/2"=1'-0"



RIGHT END ELEVATION
SCALE: 1/2"=1'-0"



LEFT END ELEVATION
SCALE: 1/2"=1'-0"

DO NOT DUPLICATE

GENERAL NOTES:					
1. ALL BOLT HOLES TO STRADDLE THE NORMAL VESSEL CENTERLINE.					
2. ALL TAILED DIMENSIONS FROM WORK LINE.					
3. PLAN DESIGNATES TRUE ORIENTATION (TOP DOWN VIEW).					
REV	DATE	REVISIONS	TB	CHK	APP
2	02/17/16	ADDED BREAK OUT FLANGES TO NOZZLE A INTERNALS	TB		
1	12/21/15	REVISED NOZZLES L5-L8 ELEVATION	TB	-	-
0	12/3/15	ISSUE FOR FABRICATION	TB	-	-
A	11/04/15	ISSUE FOR APPROVAL	TB	-	-
DRAWN BY: T. BRIDGES			DATE: 11/03/15	SCALE: AS SHOWN	CHECKED BY: -
APPROVED BY: -					



Summit Energy Equipment
41 HC PIONEER PKWY
SULPHUR SPRINGS, TX 75482
PH: 903-951-1217
www.summitenergyequipment.com

KPE
KP ENGINEERING

UNLESS OTHERWISE SPECIFIED,
DIMENSIONS ARE IN INCHES.

PROPRIETARY AND CONFIDENTIAL

THE INFORMATION CONTAINED IN THIS DRAWING IS THE SOLE PROPERTY OF SUMMIT ENERGY EQUIPMENT. ANY REPRODUCTION IN PART OR AS A WHOLE WITHOUT THE WRITTEN PERMISSION OF SUMMIT ENERGY EQUIPMENT IS PROHIBITED.

HOLLY FRONTIER
SPLITTER REFLUX DRUM
TAG# 010-F-223

PLAN & ELEVATION DRAWING

PROJECT NUMBER	QUALITY CONTROL APPROVED	SHEET	REV:	DRAWING NUMBER
11394	DATE _____ BY _____	1of2	2	200-021-006-001-01