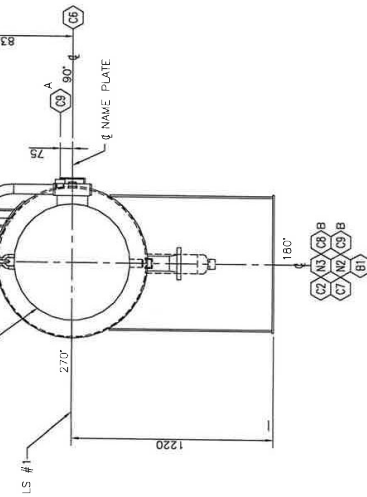
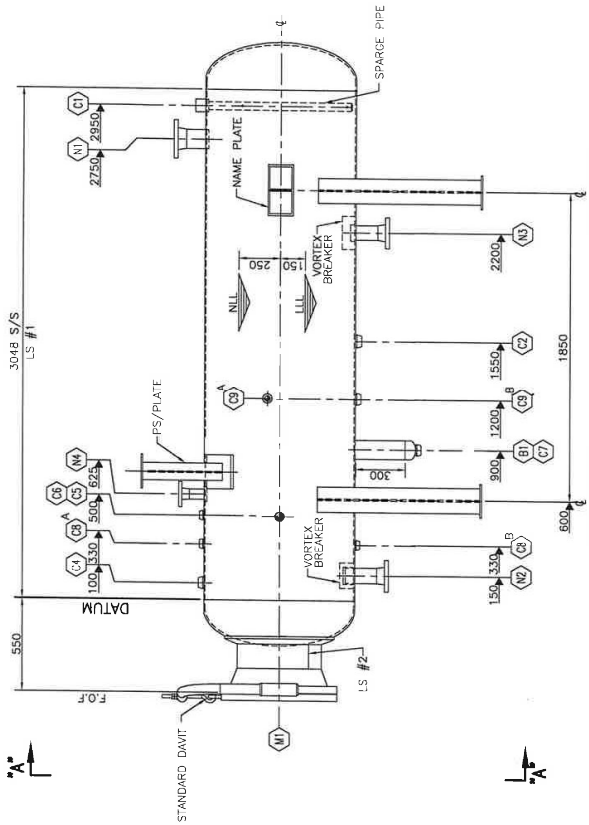


PROPAK SYSTEMS LTD POSTAL BAG # 2, AIRDRIE, ALBERTA, CANADA T4B 2C3				PRESSURE VESSEL				SHEET 1 OF 2	
<b>CUSTOMER</b> : LEUCROTTA EXPLORATION INC. <b>PLANT</b> : DOE CREEK SOUR GAS PLANT <b>SERVICE</b> : REFRIGERANT ACCUMULATOR <b>JOB NO.</b> : W145165 TAG NO: V-3100 <b>MFR.</b> : PSL MODEL NO:				REV	BY	DATE	REVISION	DESCRIPTION	
				0	DNW	2014/12/03	ISSUED FOR DRAFTING		
1	PART	REQ'D(THICKNESS)	MATERIAL (SPEC)	MK	SERVICE	SIZE	RATING	FLANGE	PROJECT
2	SHELL		SA-516-70N	N1	PROPANE LIQUID INLET	114	150 ANSI	RFWN	
3	HEADS		SA-516-70N	N2	PROPANE LIQUID OUTLET	89	150 ANSI	RFWN	
4	SKIRTS			N3	PUMP SUCTION	89	150 ANSI	RFWN	
5	SADDLES		SA-36	N4	PSV	60	150 ANSI	RFWN	
6	PIPE		SA-106-B						
7	PIPE FITTINGS								
8	FLANGES		SA-105N						
9	COUPLINGS		SA-105N						
10	BOLTS		SA-193-B7						
11	NUTS		SA-194-2H						
12	GASKETS	CHLOROCARB	304SS	B1	OIL BOOT	114 mm O.D x 305mm LG	-	-	
13	COIL								
14	RISER								
15	PACKING SUPPORT			C1	HOT GAS SPARGER	48	6000#	CPLG	
16	TRAY SUPPORTS			C2	FILL	48	6000#	TOL	
17	BAFFLES								
18	HOT GAS SPARGER		SA-106-B	C4	EQUALIZING	33	6000#	TOL	
19	VORTEX BREAKER		SA-36	C5	PI	27	6000#	TOL	
20	SYPHON DRAIN			C6	TI	27	6000#	TOL	
21	DEMISTER			C7	OIL OUT	33	6000#	TOL	
22	DISTRIB. SPIDER			C8A/B	LG	27	6000#	TOL	
23	PACKING			C9A/B	LSLL	33	6000#	CPLG/TOL	
24	TRAYS								
25	PLATFORM								
26	LADDER								
27	DAVIT		C.S.						
28	INSULATION RINGS			M1	MANWAY C/W BLIND/DAVIT	508.	150#	RFWN	
29	LIFTING LUGS								
30	PIPE CLIPS								
31	PIPE SUPPORTS								
32	SKIRT VENTS								
33	SKIRT ACCESS								
34									
35	DESIGN DATA								
36	SIZE: ID (mm)		OD: (mm)	914	NOTES:				
37	S/S (mm)	3048							
38	DES PRESS (kPag)	1792	OPER. PRESS (kPa)	1600					
39	DES TEMP ° C	66	OPER. TEMP ° C	46.7					
40	HYDROTEST (kPag)	2330	CORR. ALLOW. (mm)	1.59					
41	MDMT ° C	-28	CYCLIC LOAD	NO					
42	X-RAY	CODE	STRESS RELIEVE	NO					
43	WIND LOAD (km / h)	TBD	EARTHQUAKE ZONE	TBD					
44	SOUR SERVICE	NO	INSUL THK (mm)	NONE					
45	FIREPROOF	NO	REFRACTORY THK (mm)	NONE					
46	INT. SURFACE PREP.		EXT. SURFACE PREP.	PROPAK STD PNT 11					
47	INT. COATING		PRIMER COAT	PROPAK STD PNT 11					
48	ASME SEC. VIII DIV.	1	FINISH COAT	PROPAK STD PNT 11					
49	STAMP REQ'D	YES	FINISH COLOR	PROPAK STD PNT 11					
50									
51	WEIGHT EMPTY ((kg)		HYDRO WEIGHT (kg)						
52	LSD	13-24-80-15 W6M							
53									
54									
55									
56									
57									

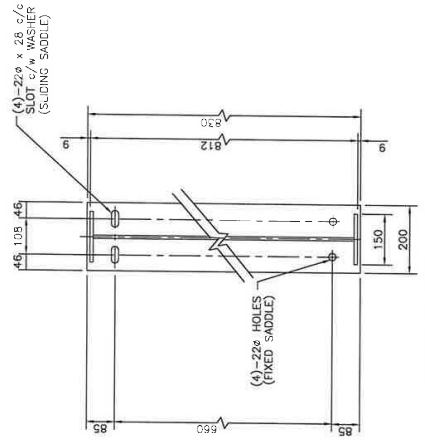
MK	SIZE	RATING	FACING	SCH	SERVICE	EXT. PROJ	WELD
N1	4 NPS	150#	RFVN	XXH	PROPANE LIQUID INLET	200	—
N2	3 NPS	150#	RFVN	XH	PROPANE LIQUID OUTLET	200	—
N3	3 NPS	150#	RFVN	XH	PUMP SOLUTION	200	—
N4	2 NPS	150#	RFVN	160	PSV	150	—
B1	4 NPS	—	—	XXH	OLL BOOT	—	SPEC.
C1	1-1/2 NPS	6000#	CPLG	—	HQI GAS SPARGER	—	SPEC.
C2	1-1/2 NPS	6000#	TOL	—	FILL	—	—
C4	1 NPS	6000#	TOL	—	FUZZING	—	—
C5	3/4 NPS	6000#	TOL	—	PI	—	—
C6	3/4 NPS	6000#	TOL	—	T.	—	—
C7	1 NPS	6000#	TOL	—	OLL OUT	—	—
C8	3/4 NPS	6000#	TOL	—	LG	—	—
C9	1 NPS	6000#	CPLG	—	LSLL	—	—
C9	1 NPS	6000#	TOL	—	LSLL	—	—
M1	20 NPS	150#	RFVN	WT-17	MANWAY 2/4 BLIND & STD. DAVIT	—	SPEC.



ORIENTATION (VIEW 'A-A')  
SCALE 1:15



ELEVATION  
SCALE 1:15



FIXED & SLIDING SADDLE DETAIL  
SCALE 1:7.5

SERVICE: PROPANE  
LOADINGS PER UG-22(e) CONSIDERED GOVERNS: NO  
PRODUCTION IMPACT TEST REQ'D: NO  
IMPACT TESTING: NO—PER UG-200(1)(1-5)  
—PER UCS-66(c)  
CAPACITY: 2.160 m<sup>3</sup>  
WEIGHT EMPTY: 1450 kg  
WEIGHT FULL OF WATER: 3630 kg  
PAINT SPEC: PNT-11  
INSULATION: NONE  
SHIP LOOSE NO

SERIAL NO: 145165-111-07 CRN: V2196 21  
YEAR BUILT: 2015  
LSD #: 13-24-80-15 W6M  
CODE  
ASME SECT. VIII DIV 1, 1.3, ADDENDA —  
DESIGN PRESSURE: 792 kPag  
NOTE: DFS, PRESS. IS: MAMP  
DESIGN TEMPERATURE: 65.5°C  
M.D.M.T.: -28.8°C @ 1797 kPag  
HYDRO. PRESSURE: 2331 kPag  
MATERIAL: HEAD: SA-516-70N  
SHELL: SA-516-70N  
RADIOGRAPHY: CW: UW-11(G)  
CS: SPOT: UW-11(G)  
MW LS: FULL: UW-11(G)  
P.W.H.T.: NO  
MIN TEMP / TIME: NO  
CORR. ALLOWANCE: 1.5mm  
TAG NO: V-3100

APPROVED	BY	DATE	REVISION
MECH/STRUCT			
ELECTRICAL			
PROJECT			
DATE			
SCALE	AS NOTED		

LEUCROTTA EXPLORATION INC.	DOE CREEK SOUR GAS PLANT
REFRIGERANT ACCUMULATOR (V-3100)	914 O/D x 3048 S/S
OWG: 145165-111-07-SKT	SHR. 1 OF 1 SKT

DATE: 2015-04-23 01:57 PM	JLUBS: 4145165-203-DRAWINGS-FAB/ISS/ACC-145165-111-07-SKT (V-3100) EWS
GENERAL NOTES	GENERAL NOTES
NO.	REVISION
SKT	ISSUED FOR FAB/ISS/ACC
BY	DATE
CHK	DATE
ENG	DATE

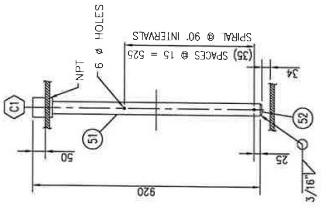
THIS DRAWING AND THE DESIGN IT GOVERNS ARE CONFIDENTIAL AND THE PROPERTY OF PROPAK SYSTEMS LTD. AND SHALL NOT BE DISCLOSED TO OTHERS OR REPRODUCED IN ANY MANNER OR USED FOR ANY PURPOSE WHATSOEVER WITHOUT THE WRITTEN CONSENT OF PROPAK.

PROPAK 440 East Lake Road, Alberta, Canada T4A 2J8

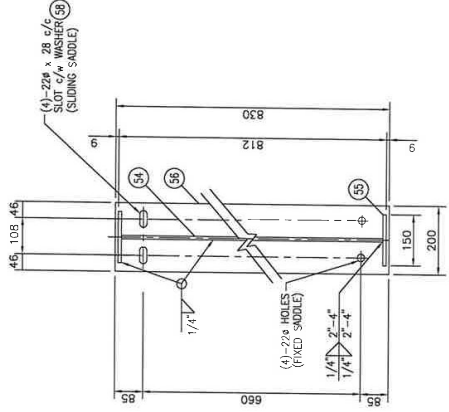
**BILL OF MATERIALS**

ITEM QTY PART NO.	DESCRIPTION	SA-516-70N
51 1	PIPE: 1/2" NPS - 3/4" W.T. x 2'-3 3/4" LG. 10C SMLS	SA-516-70N
52 1	PLATE: 1/4" THK. x 1 3/16" O/D	SA-516-70N
53 1	PLATE: 1/4" THK. x 3" x 8" LG.	SA-516-70N
54 2	PLATE: 3/8" THK. x 2'-7 1/4" x 3'-2 3/4" LG. (C1S)	SA-516-70N
55 4	PLATE: 3/8" THK. x 6" x 3'-2 3/4" LG.	SA-516-70N
56 2	PLATE: 3/8" THK. x 8" x 2'-8 1/16" LG.	SA-516-70N
57 1	PLATE: 1/4" THK. x 4 3/4" x 6" LG. (C1S)	SA-516-70N
58 4	PLATE: 1/2" THK. x 2 1/2" SQ.	SA-516-70N

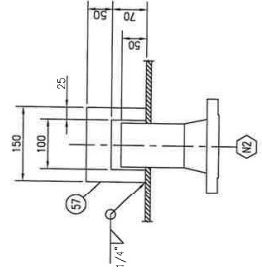
TAG #: V-3100



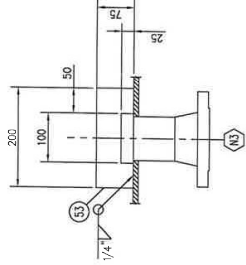
**SPARGE PIPE DETAIL**  
SCALE: 1:10



**SADDLE DETAIL**  
SCALE: 1:7.5



**VORTEX BREAKER DETAIL**  
SCALE: 1:5



**WASHER DETAIL**  
SCALE: 1:2

**PROPAK**  
440 East Lake Road  
Airdrie, Alberta  
Canada T4A 2J8

**LEUCROTTA EXPLORATION INC.**  
DOE CREEK SOUR GAS PLANT  
REFRIGERANT ACCUMULATOR  
DETAILS

DATE: 2015/02/10  
BY: KUSUM  
CHECKED: JH  
DATE: 2015/02/10  
SCALE: AS NOTED

APPROVED: KUSUM  
DATE: 2015/02/18  
PROJECT: DOE CREEK SOUR GAS PLANT  
DATE: 2015/02/18

ISSUED FOR CONSTRUCTION  
DESCRIPTION: REVISION

GENERAL NOTES  
1. DRAWING IS FOR CONSTRUCTION

DATE: 2015/02/10  
BY: KUSUM  
CHECKED: JH  
DATE: 2015/02/10  
SCALE: AS NOTED

DATE: 2015/02/10  
BY: KUSUM  
CHECKED: JH  
DATE: 2015/02/10  
SCALE: AS NOTED

DATE: 2015/02/10  
BY: KUSUM  
CHECKED: JH  
DATE: 2015/02/10  
SCALE: AS NOTED

DATE: 2015/02/10  
BY: KUSUM  
CHECKED: JH  
DATE: 2015/02/10  
SCALE: AS NOTED

THIS DRAWING AND THE DESIGN IT COVERS ARE CONFIDENTIAL AND THE PROPERTY OF PROPAK SYSTEMS LTD. AND SHALL NOT BE DISCLOSED TO 3<sup>RD</sup> PARTIES OR REPRODUCED IN ANY MANNER OR USED FOR ANY PURPOSE WHATSOEVER EXCEPT BY WRITTEN CONSENT OF PROPAK.