

SP-31-00

FIS GAS SENSOR SP-31-00 for SOLVENTS DETECTION (ALCOHOL, SOLVENTS)

The SP-31 is a tin di-oxide semiconductor gas sensor which has a high sensitivity to solvents such as alcohol, toluene.

Structure

Gas sensitive semiconductor material is formed on the alumina substrate on which the gold electrodes are printed. A thick film heater of ruthenium oxide is printed on the reverse of the substrate and placed in the plastic housing (Fig 1).

Operating conditions

The circuit for the sensor is composed of two parts as shown in Fig 2. One part is for supplying heater voltage (V_H) and the other is for the output signal (V_C), which is current or voltage reflecting sensor resistance (R_S) change. The change of the sensor resistance is generally obtained as the change of the output voltage across the fixed or variable resistor (R_L) in series with the sensor resistance. In order to obtain the best performance and specified characteristics, the values of the heater voltage, circuit voltage and load resistance (R_L) must be within the range of values given in the standard operating conditions shown in the Specification table on the next page.

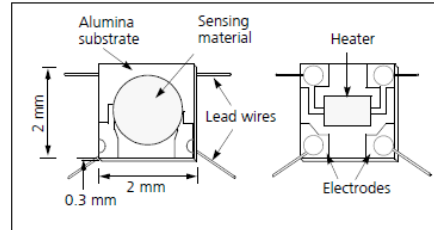


Fig 1a. Sensing element

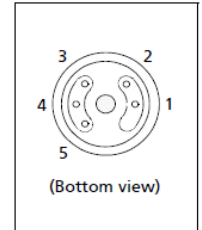


Fig 1c. Pin Layout

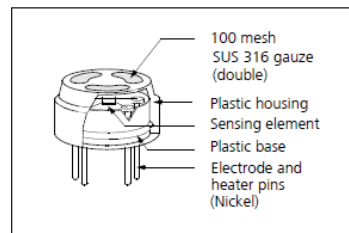


Fig 1b. Configuration

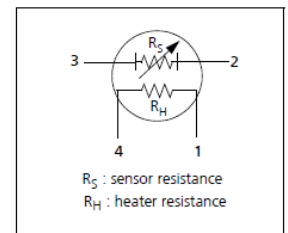


Fig 1d. Equivalent circuit

Sensitivity characteristics

Fig 3 shows the sensitivity characteristics curves of the SP-31 (typical data). Sensitivity characteristics of our gas sensors are expressed by the relationship between the sensor resistance and gas concentration. The sensor resistance decreases with an increase of gas concentration based on a logarithmic function

The sensitivity characteristics of the SP-31 are specified by the following parameters.

- Sensor resistance level: at ethanol 300 ppm
- Sensor resistance change ratio: between ethanol 50 ppm and 300 ppm

See the specification table on the next page for further details.

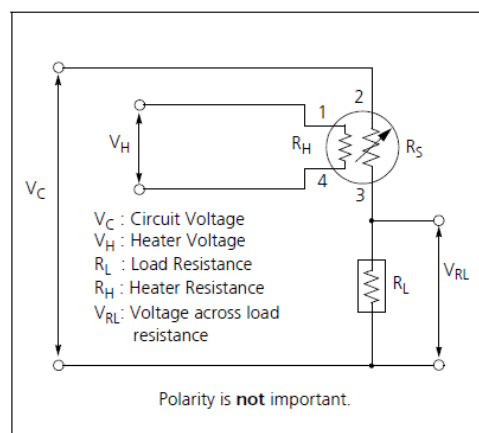


Fig 2. Standard circuit

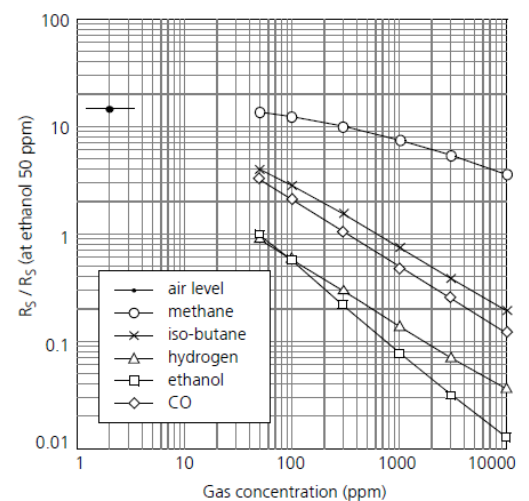


Fig 3. Sensitivity characteristics

Specifications: SP-31-00

A. Standard Operating conditions

| Symbol | Parameter | Specification | Conditions etc. |
|--------|--------------------------------------|---------------------------|------------------------------------|
| VH | Heater voltage | 5.0 V ± 4% | AC or DC |
| VC | Circuit voltage | 5.0 V ± 4% | AC or DC |
| RL | Load resistance | Variable | P _s < 15 mW |
| RH | Heater resistance | 56Ω ± 2Ω | at room temperature |
| IH | Heater current | 63mA (Typical value) | IH = VH / RH |
| PH | Heater power consumption | 315 mW (Typical value) | PH = VH ² / RH |
| PS | Power dissipation of sensing element | Less than 15 mW | $P_s = \frac{(V_C - V_{RL})^2}{R}$ |

B. Environmental conditions

| Symbol | Parameter | Specification | Conditions etc. |
|-------------------|-----------------------|--|---|
| T _{ao} | Operating temperature | -10 °C to 50 °C | |
| T _{as} | Storage temp | -20 °C to 60 °C | |
| RH | Relative humidity | Less than 95%RH | |
| (O ₂) | Oxygen concentration | 21% ± 1% (Standard condition) The sensitivity characteristics are influenced by the variation in oxygen concentration. Please consult FIS for details. | Absolute minimum level : more than 18%. |

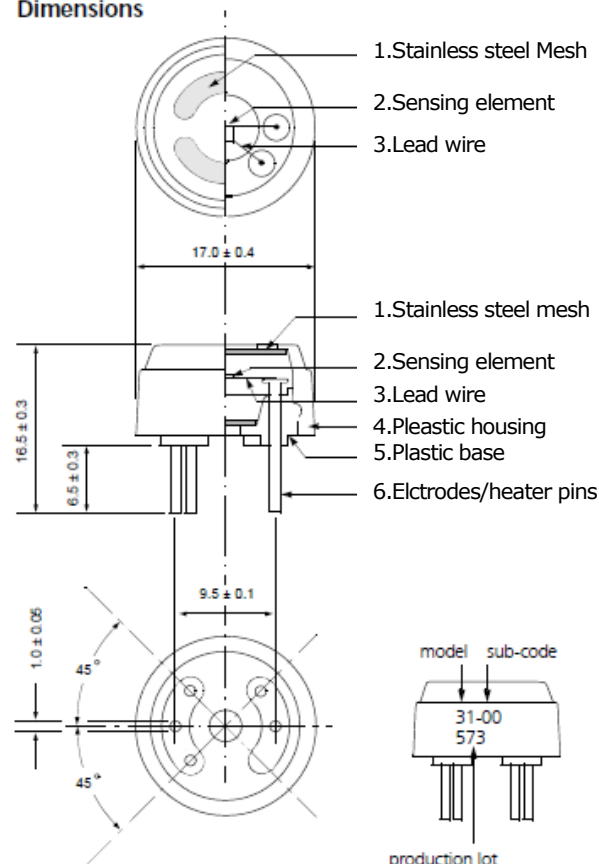
C. Sensitivity characteristics

| Model | SP-31-00 | | |
|---------------------------|-------------------|--|--|
| Symbol | Parameter | Specification | Conditions etc. |
| R _s | Sensor resistance | 0.5kΩ to 5kΩ | at ethanol of 300 ppm |
| β | Sensitivity slope | 0.15 to 0.35 | $\frac{R_s \text{ at 300 ppm of ethanol}}{R_s \text{ at 50 ppm of ethanol}}$ |
| Standard Test Conditions: | | Temp: 20 °C ± 2 °C Humidity: 65% ± 5% (in clean air) Pre-heating time: more than 48 hours | VC: 5.0V ± 0.1V VH: 0.9V ± 0.05V RL: 3.9 kΩ ± 5% |

D. Mechanical characteristics

| Items | Conditions | Specifications |
|-----------|---|--|
| Vibration | Frequency: 100cpm Vertical amplitude: 4mm Duration: 1hour | Should satisfy the specifications shown in the sensitivity characteristics after test. |
| Drop | Acceleration: 100 G Number of impacts: 5 times | |

Dimensions



Weight : 1.75g

E. Parts and Materials

| No. | Parts | Materials |
|-----|-----------------------|---------------------------------|
| 1 | Stainless steel mesh | SUS 316 (100 mesh, double) |
| 2 | Sensing element | Tin dioxide (SnO ₂) |
| 3 | Lead wire | Gold alloy (Au-Pd-Mo) |
| 4 | Plastic housing | Nylon 46 (UL94HB) |
| 5 | Plastic base | Nylon 66 (UL94HB) |
| 6 | Heater/electrode pins | Nickel |

Please contact

Dec. 2021 Revised

Nissha FIS, Inc.
2-4-28, Tagawa
Yodogawa, Osaka
532-0027 Japan

Tel: +81 6-7176-3911
Fax: +81 6-7176-3912
<http://www.fisinc.co.jp>

In the interest of continued product improvement, we reserve the right to change design features without prior notice.

@nissha