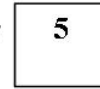


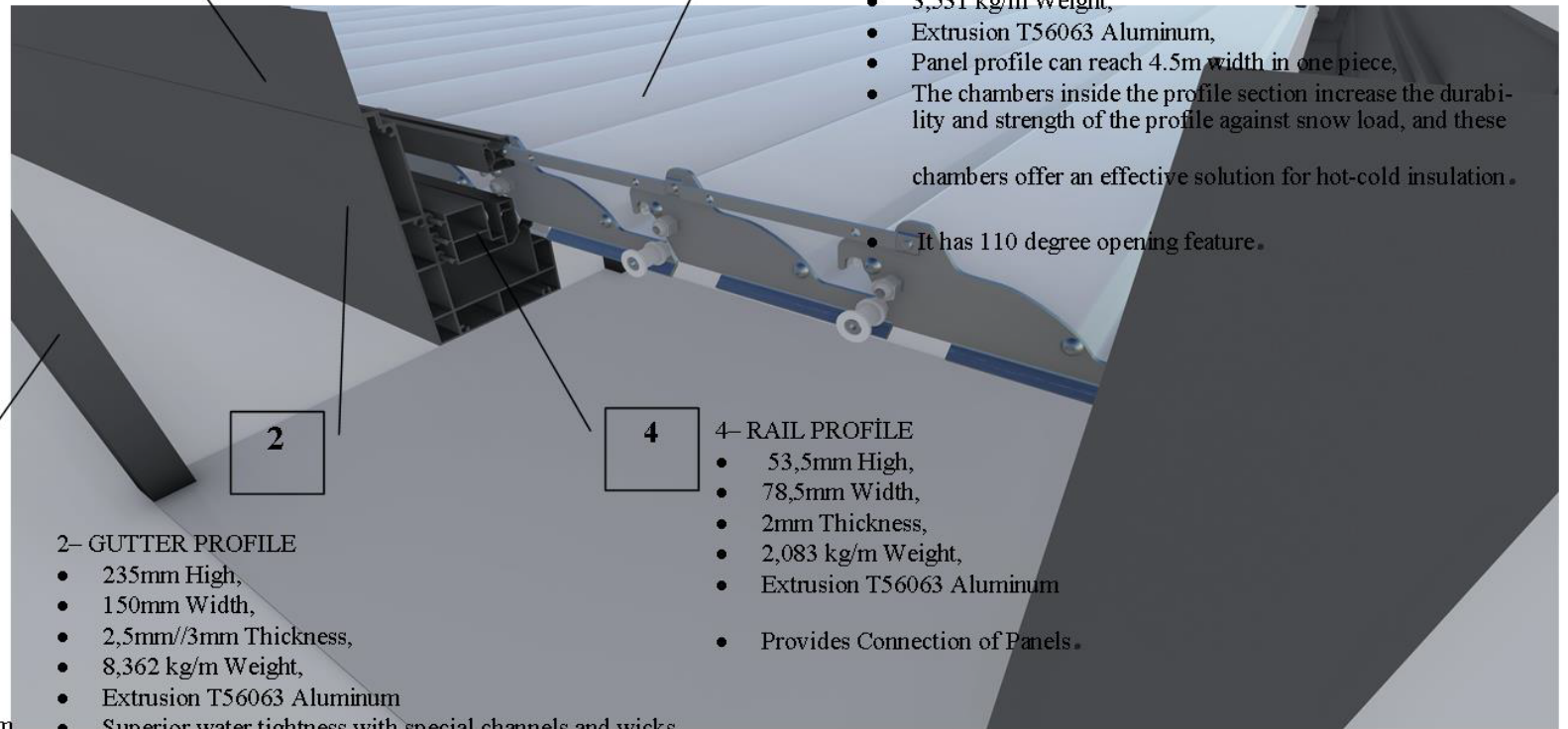
COMPACT SYSTEM TECHNIC DETAILS

SYSTEM PROFILE DETAILS

- GROOVE TOP COVER
- 15mm High,
- 90mm Width,
- 2mm Thickness,
- 0,645 kg/m Weight,



- 5- PANEL
- 48mm High,
- 240mm Width,
- 2mm Thickness,
- 3,531 kg/m Weight,
- Extrusion T56063 Aluminum,
- Panel profile can reach 4.5m width in one piece,
- The chambers inside the profile section increase the durability and strength of the profile against snow load, and these chambers offer an effective solution for hot-cold insulation.
- It has 110 degree opening feature.



- 1- PILLAR PROFILE
- 150mm High,
- 150mm Width,
- 3mm Thickness,
- 4,76 kg/m Weight,
- Extrusion T56063 Aluminum
- The carrier profiles of the system.



- 2- GUTTER PROFILE
- 235mm High,
- 150mm Width,
- 2,5mm/3mm Thickness,
- 8,362 kg/m Weight,
- Extrusion T56063 Aluminum
- Superior water tightness with special channels and wicks,



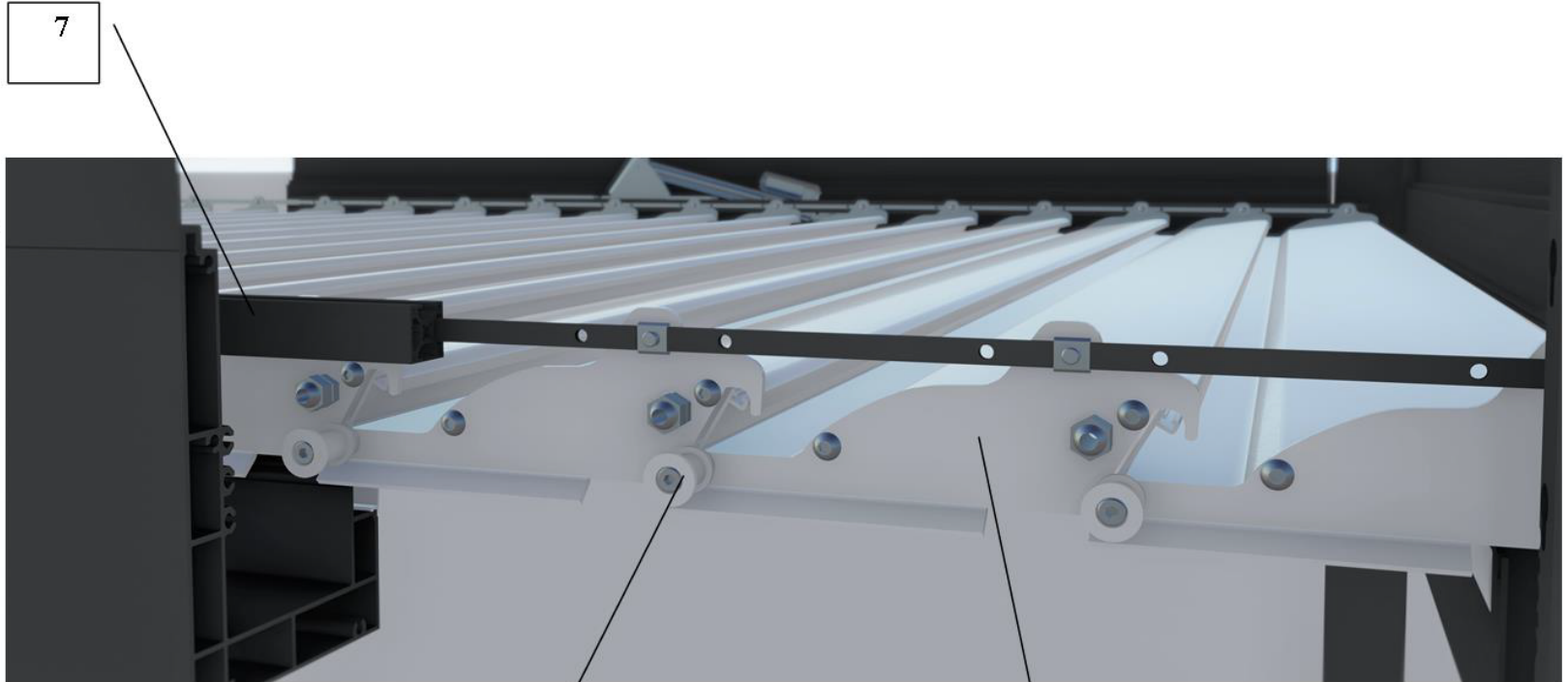
- 4- RAIL PROFILE
- 53,5mm High,
- 78,5mm Width,
- 2mm Thickness,
- 2,083 kg/m Weight,
- Extrusion T56063 Aluminum
- Provides Connection of Panels.

- Water discharge Feature,
- Available with profile integrated led channel

SYSTEM FRONT DETAILS

7- SIGMA PROFILE

- 30mm High,
- 30mm Width,
- 2mm Thickness,
- 0,91 kg/m Weight,
- Extrusion T56063 Aluminum
- It is used to push the linear motor mechanism.



9

9- WHEEL

- It provides movement to the panels.

10

10-PANEL SIDE SHEET

- It transmits the movement from the Sigma profile to the panel.

SYSTEM ENGINE DETAILS

11-LINEAR ENGINE COVER

- It fixes the engine to the system.

11

12

12-LINEAR ENGINE
It makes the system work.

