



Product Details

Helios is an IP65 bulkhead ideal for exterior lighting applications as well as the social housing sector.

- Dimming control, Microwave sensors and emergency options
- Halo version available
- IK10 impact rating
- Tridonic module and driver



Product Specification

Colour Temperature (k)	3000	4000
Colour Rendering Index (CRI)	80	
MacAdam SDCM	3	
Average Luminaire Efficacy	94.2	
Ingress Protection (IP)	IP65	
Impact Protection (IK)	IK10	
Average Lifespan (Hr)	47,000	
Operating Temperature Range (°C)	-25	+35

Electrical Specification

Voltage (V)	220-240
Frequency (Hz)	50-60
Electrical Protection	Class I

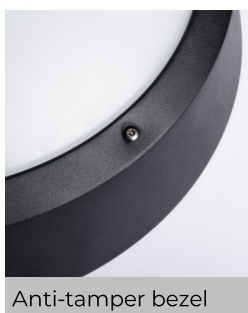
Lumen Performance

Product Code	Output	Colour	Wattage	Efficacy
HEL LED10	1123	840	11.7	96
HEL LED14	1533	840	16.6	92.3
Helios Halo				
HEL H LED10	1123	840	11.7	96
HEL H LED14	1533	840	16.6	92.3

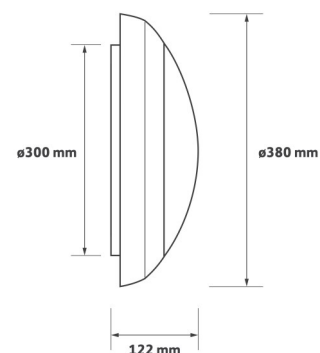
Luminaire Options

Emergency	3hr	3hr Dali	
Dimming	0-10v	Dali	Switch
Colour	White	Black	
Sensor	On/Off	10% Dim	

Accessories



Dimensions



Diameter (mm)	380
Height (mm)	122
Weight (kg)	1.7