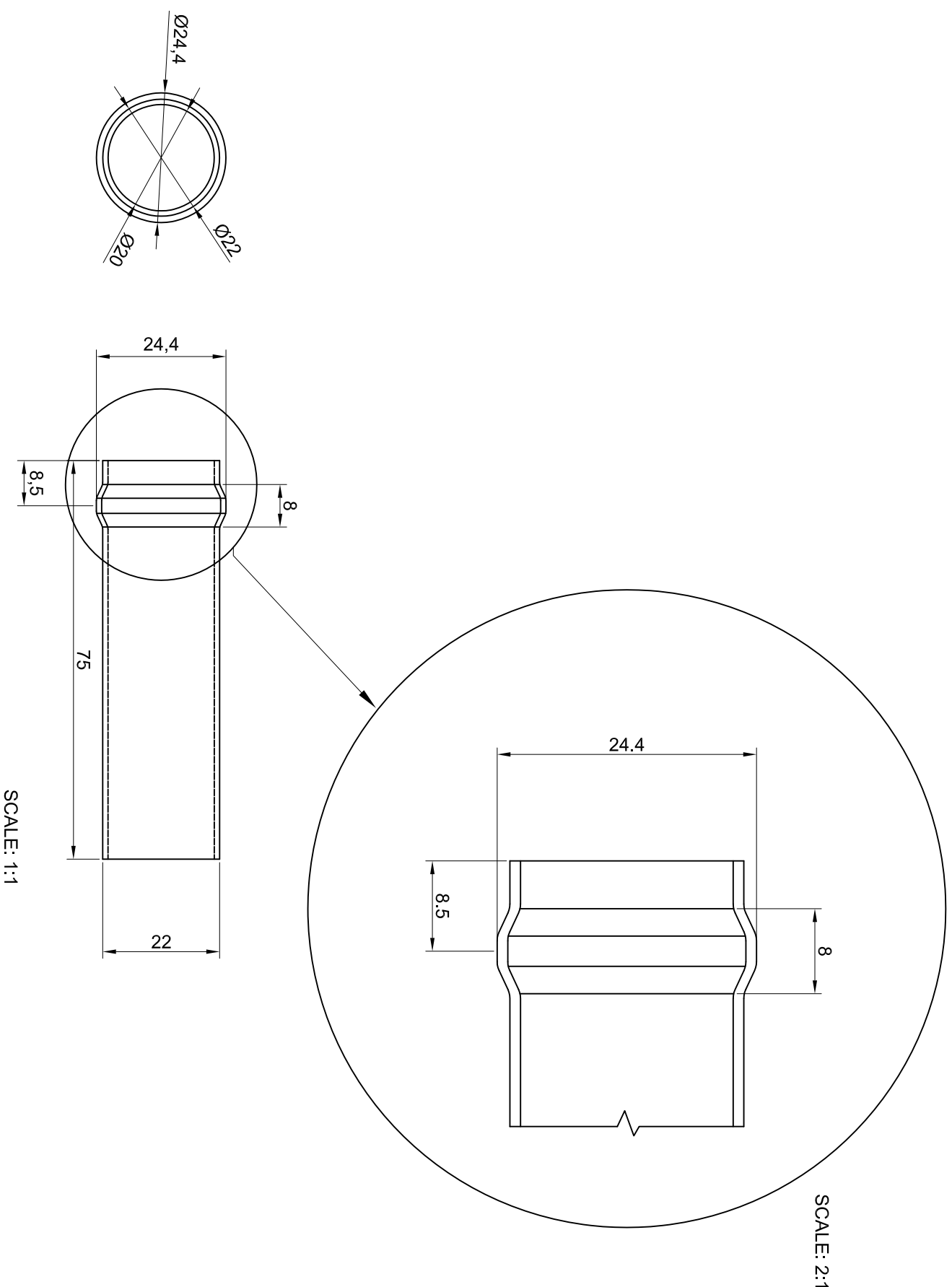


NOTES:

1. TOLERANCES INDICATED ADVISORY ONLY; FINAL TO BE AGREED
2. RADIUS ON FORMED SECTION IS ACCEPTABLE
3. THINNING OF WALL THICKNESS DURING FORMING TO BE AVOIDED
4. ENDS TO BE CUT SQUARE TO TUBE



SCALE: 1:1

SCALE: 2:1

WOODFORD HEATING & ENERGY LTD  
 OAKWOOD HOUSE, OAKWOOD HILL INDUSTRIAL ESTATE  
 LOUGHTON, ESSEX, IG10 3TZ  
 TEL: 0208 531 0004; WWW.WOODFORDHEATING.COM

Rev	DATE	REVISION HISTORY	Desg	Dwn	Chk	App
C	13/03/15	DIMENSIONS MODIFIED				
B	15/01/15	DIMENSIONS MODIFIED				
A	12/05/14	FIRST ISSUE FOR MANUFACTURE				

ALL REVISIONS

ORIGINATOR

Woodford Heating & Energy Ltd  
 Oakwood House, Oakwood Hill Industrial Estate  
 Loughton, Essex, IG10 3TZ  
 Tel: 0208 531 0004; www.woodfordheating.com

DRAWING TITLE

**FORMED OLIVE PIPE SECTION**  
**22mm DIAMETER**

Name	Signature	Date
Designed by	A.K.NEAVE	12/05/2014
Drawn by		
Checked		
Approved		

SCALE 1:1 & 2:1

PROPOSED STATUS

MATERIAL: 22mm COPPER TUBE EN1057;  
 TABLE Y; BS2871 Pt1; HALF HARD

FINISH: REMOVE ALL SHARP EDGES,  
 DEGREASE

DRAWING NUMBER	REV
WHE - 14002 - C	C