

VAUXHALL ASTRA 1995 to 1998

Key to circuits

Diagram 1 Information for wiring diagrams

Diagram 2 Starting, charging, ignition system C14NZ engine and radio

Diagram 3 Ignition system 14SE and C14SE engines

Diagram 4 Ignition system X14XE DOHC engine

Diagram 5 Ignition system 14NV and C16NZ engine

Diagram 6 Ignition system X16SZ engine

Diagram 7 Ignition system X16XEL DOHC engine

Diagram 8 Ignition system X16SZR engine

Diagram 9 Ignition system C18XEL DOHC engine

Diagram 10 Ignition system X18XE DOHC and X20XEV DOHC engines

Diagram 11 Ignition system X18XE DOHC and X20XEV DOHC engines continued,
horn and radiator fan

Diagram 12 Ignition system C20NE engine

Diagram 13 Ignition system C20XE DOHC engine

Diagram 14 Automatic transmission and airbag

Diagram 15 Wash/wipe, electric windows, cigarette lighter and seat heating

Diagram 16 Exterior lights, fog lights, glove box light and brake light

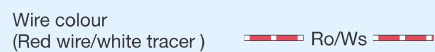
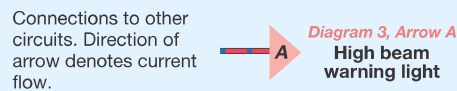
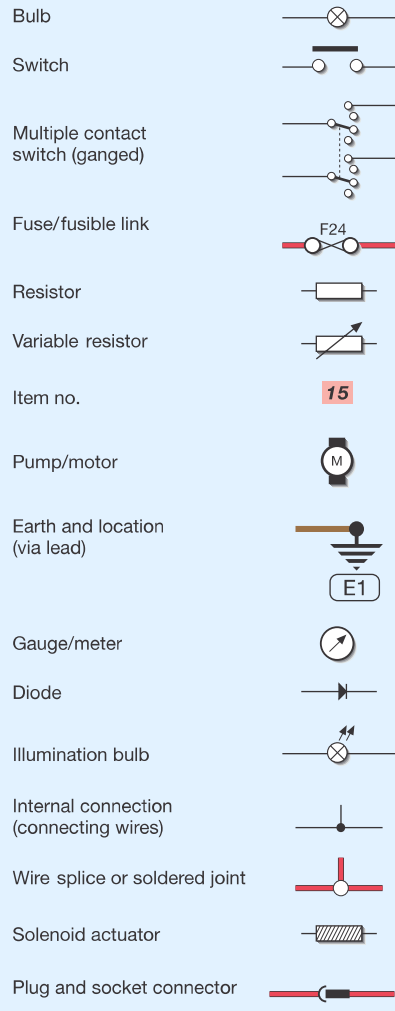
Diagram 17 Headlights, direction indicators, hazard lights, reversing lights and
interior lights

Diagram 18 Info display, rear window heater and heater blower

Diagram 19 Instruments and electric mirrors

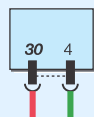
Diagram 20 Central locking and ABS

Key to symbols



Terminal identified by either standard termination (**bold italic**) or by connector number (plain text).

30 Terminal identification (i.e. battery +ve)
4 Connector pin number



Earth location

E1 Battery earth strap

Terminal identification

- | | |
|---|--------------------------------------|
| 15 Ignition switch 'ignition' position | 56a High beam |
| 30 Battery +ve | 56b Low beam |
| 31 Earth | P Side light |
| 49a Direction indicator relay output | 75 Ignition switch position 1 |
| 50 Ignition switch 'start' position | 85 Relay winding input |
| 50b Ignition switch secondary feed | 86 Relay winding earth |
| 53 Motor input | 87 Relay output |
| 53a Motor self park | L Left hand light |
| 53b Shunt winding | R Right hand light |
| 53c Washer pump | |
| 56 Headlight | |

Key to circuits

- Diagram 1 Information for wiring diagrams
 Diagram 2 Starting, charging, ignition system C14NZ engine and radio
 Diagram 3 Ignition system 14SE and C14SE engines
 Diagram 4 Ignition system X14XE DOHC engine
 Diagram 5 Ignition system 14NV and C16NZ engine
 Diagram 6 Ignition system X16SZ engine
 Diagram 7 Ignition system X16XEL DOHC engine
 Diagram 8 Ignition system X16SZR engine
 Diagram 9 Ignition system C18XEL DOHC engine
 Diagram 10 Ignition system X18XE DOHC and X20XE DOHC engines
 Diagram 11 Ignition system X18XE DOHC and X20XE DOHC engines continued, horn and radiator fan
 Diagram 12 Ignition system C20NE engine
 Diagram 13 Ignition system C20XE DOHC engine
 Diagram 14 Automatic transmission and airbag
 Diagram 15 Wash/wipe, electric windows, cigarette lighter and seat heating
 Diagram 16 Exterior lights, fog lights, glove box light and brake light
 Diagram 17 Headlights, direction indicators, hazard lights, reversing lights and interior lights
 Diagram 18 Info display, rear window heater and heater blower
 Diagram 19 Instruments and electric mirrors
 Diagram 20 Central locking and ABS

Fuse box

Fuse	Rating	Circuit protected
F1	20A	Central locking
F2	20A	Fuel pump
F3	30A	Windscreen wipers
F4	10A	LH dipped beam
F5	10A	RH dipped beam, range adjustment
F6	10A	ABS, auto. transmission
F7	10A	Exterior mirrors, sunroof, clock, instruments, glovebox light and indicators
F8	20A	Trailer
F9	10A	Info. display and headlight warning
F10	30A	Electric windows
F11	10A	Rear fog light
F12	10A	LH main beam
F13	10A	RH main beam
F14	30A	Heater fan, air conditioning
F15	30A	Cooling fan
F16	30A	Heated rear window
F17	20A	Fog lights
F18	10A	LH parking and tail lights
F19	10A	RH parking and tail lights, radio, instrument illumination and number plate lights
F20	20A	Reverse lights, cigarette lighter and heated seats
F21	30A	Cooling fan, air conditioning
F22	30A	Electric windows
F23	30A	Headlamp washer
F24	20A	Interior lights, hazard lights, clock, radio, trip computer and horn
F25	10A	Auto. transmission
F26	30A	Cooling fan
F28	15A	ABS, indicators, hazard lights and brake lights

Wire colours

Bl	Blue	Li	Lilac
Br	Brown	Ro	Red
Ge	Yellow	Sw	Black
Gr	Grey	Ws	White
Gn	Green	Or	Orange

Key to items

1	Battery
2	Ignition switch
3	Starter motor
4	Alternator
5	Radio
6	Aerial
7	Aerial amplifier
8	Electric aerial motor

9	LH front tweeter
10	LH front speaker
11	LH rear speaker
12	RH front tweeter
13	RH front speaker
14	RH rear speaker
15	Diagnostic connector
16	Telephone connector

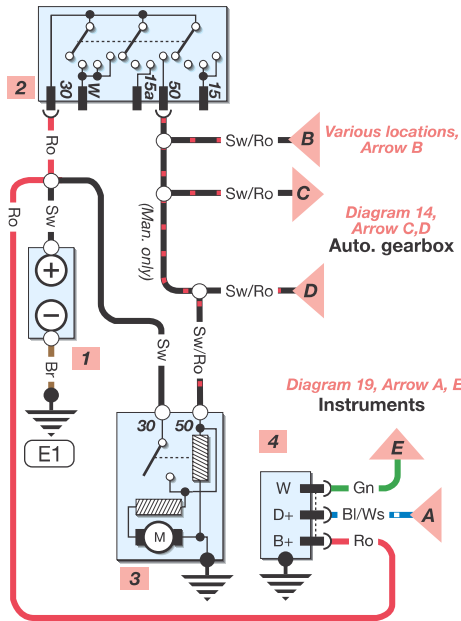
17	Ignition coil
18	Ignition module
19	Distributor (hall sensor)
20	Spark plugs
21	Fuel injector
22	Coolant temp sensor
23	Intake pressure sensor
24	Throttle valve sensor

25	Fuel pump relay
26	Fuel pump
27	Idle speed motor
28	Lambda probe
29	Octane plug
30	Multec control unit

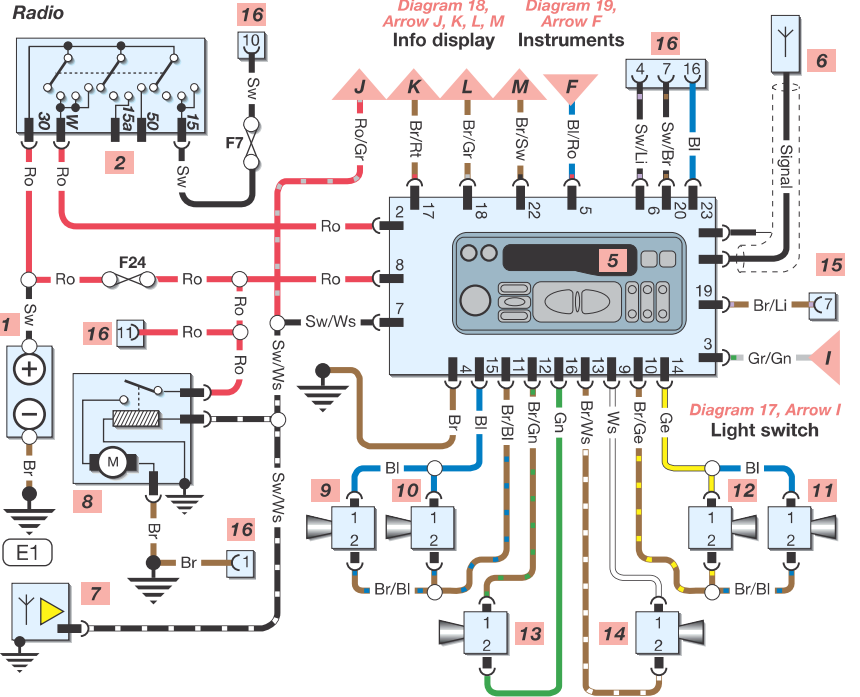
Astra 1995 to 1998 - Diagram 2

MTS H32072

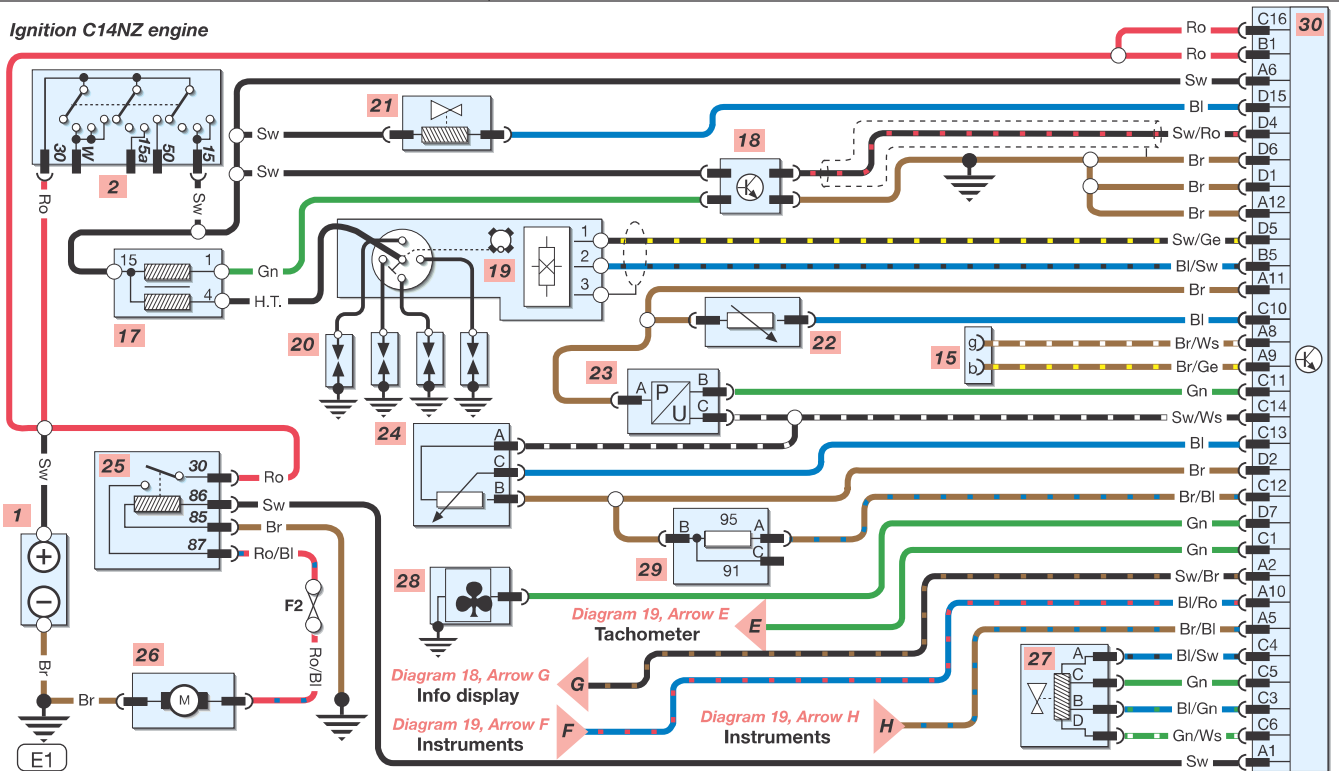
Starting and charging



Radio



Ignition C14NZ engine



Wire colours

Bl Blue	Li Lilac
Br Brown	Ro Red
Ge Yellow	Sw Black
Gr Grey	Ws White
Gn Green	Or Orange

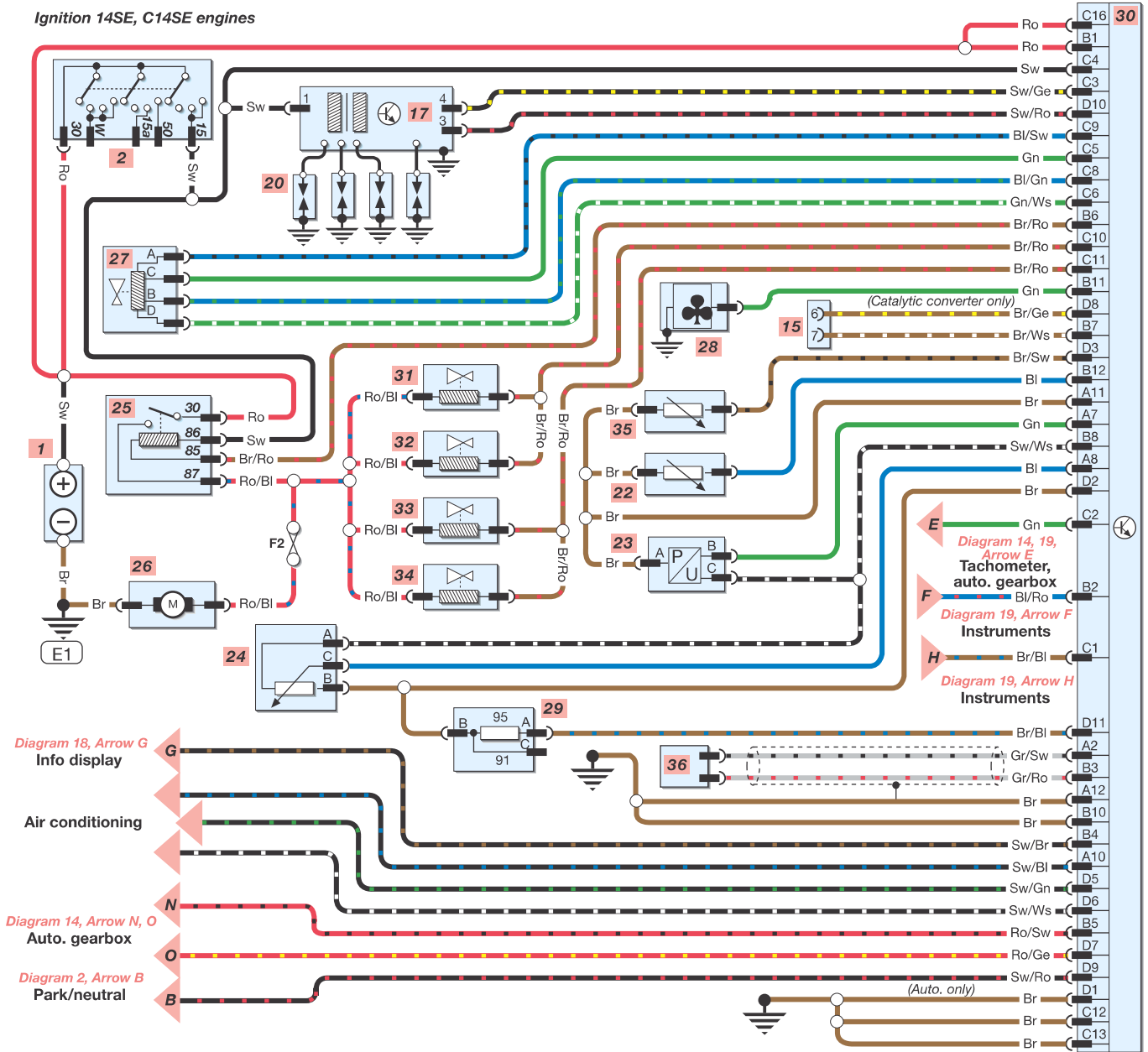
Key to items

1 Battery	24 Throttle valve sensor	31 Fuel injector 1
2 Ignition switch	25 Fuel pump relay	32 Fuel injector 2
15 Diagnostic connector	26 Fuel pump	33 Fuel injector 3
17 Ignition coil	27 Idle speed motor	34 Fuel injector 4
20 Spark plugs	28 Lambda probe	35 Intake temp. sensor
22 Coolant temp sensor	29 Octane plug	36 Crankshaft sensor
23 Intake pressure sensor	30 Multec control unit	

Astra 1995 to 1998 - Diagram 3

MTS
H32073

Ignition 14SE, C14SE engines



Wire colours

Bl Blue	Li Lilac
Br Brown	Ro Red
Ge Yellow	Sw Black
Gr Grey	Ws White
Gn Green	Or Orange

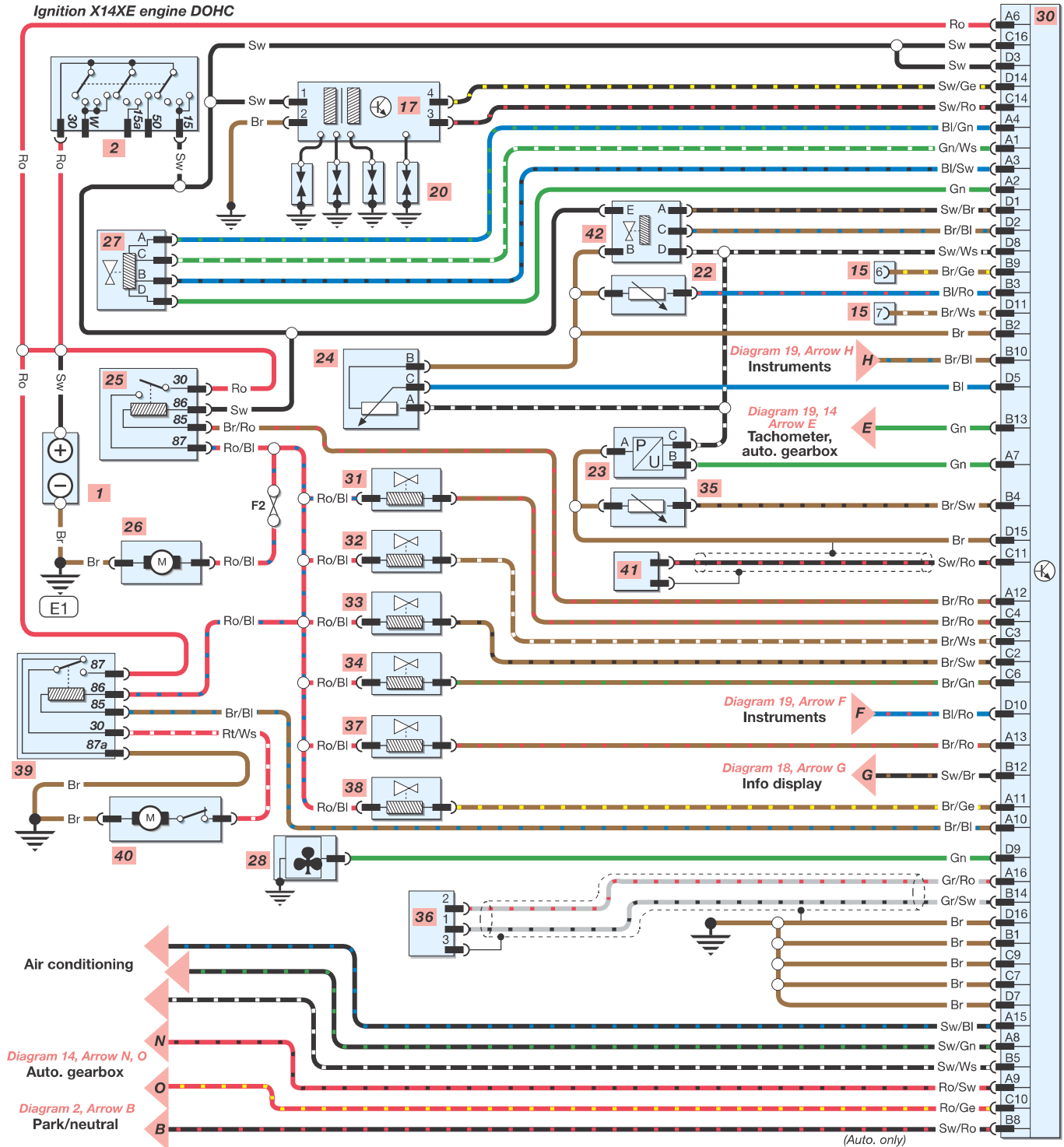
Key to items

1 Battery	25 Fuel pump relay
2 Ignition switch	26 Fuel pump
15 Diagnostic connector	27 Idle speed motor
17 Ignition coil	28 Lambda probe
20 Spark plugs	30 Multec control unit
22 Coolant temp sensor	31 Fuel injector 1
23 Intake pressure sensor	32 Fuel injector 2
24 Throttle valve sensor	33 Fuel injector 3

Astra 1995 to 1998 - Diagram 4

34 Fuel injector 4	40 Secondary air induct pump
35 Intake temp. sensor	41 Knock sensor
36 Crankshaft sensor	42 Exhaust gas recirculation valve
37 Tank ventilation valve	
38 Secondary air induct valve	
39 Secondary air induct relay	

MTS
H32074



Wire colours

Bl Blue	Li Lilac
Br Brown	Ro Red
Ge Yellow	Sw Black
Gr Grey	Ws White
Gn Green	Or Orange

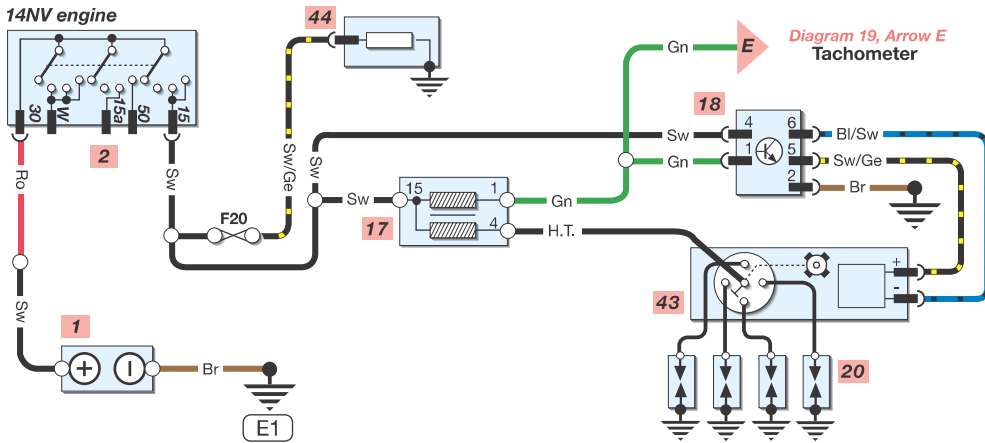
Key to items

1 Battery	22 Coolant temp. sensor	29 Octane plug
2 Ignition switch	23 Intake pressure sensor	30 Multec control unit
15 Diagnostic connector	24 Throttle valve sensor	43 Distributor (inductive sensor)
17 Ignition coil	25 Fuel pump relay	44 Carb. preheating
18 Ignition module	26 Fuel pump	
20 Spark plugs	27 Idle speed motor	
21 Fuel injector	28 Lambda probe	

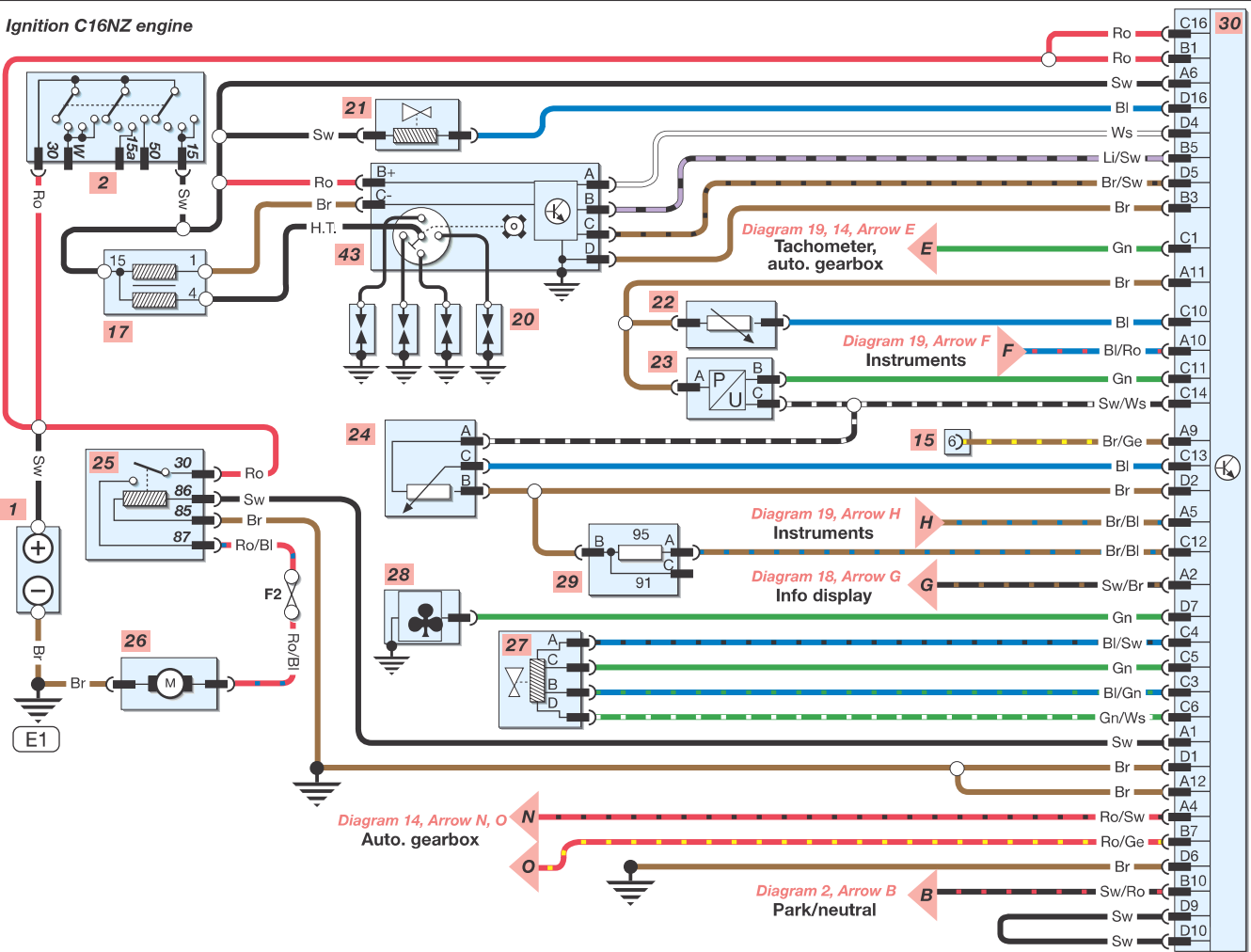
Astra 1995 to 1998 - Diagram 5

MTS
H32075

Ignition 14NV engine



Ignition C16NZ engine



Wire colours

Bl Blue	Li Lilac
Br Brown	Ro Red
Ge Yellow	Sw Black
Gr Grey	Ws White
Gn Green	Or Orange

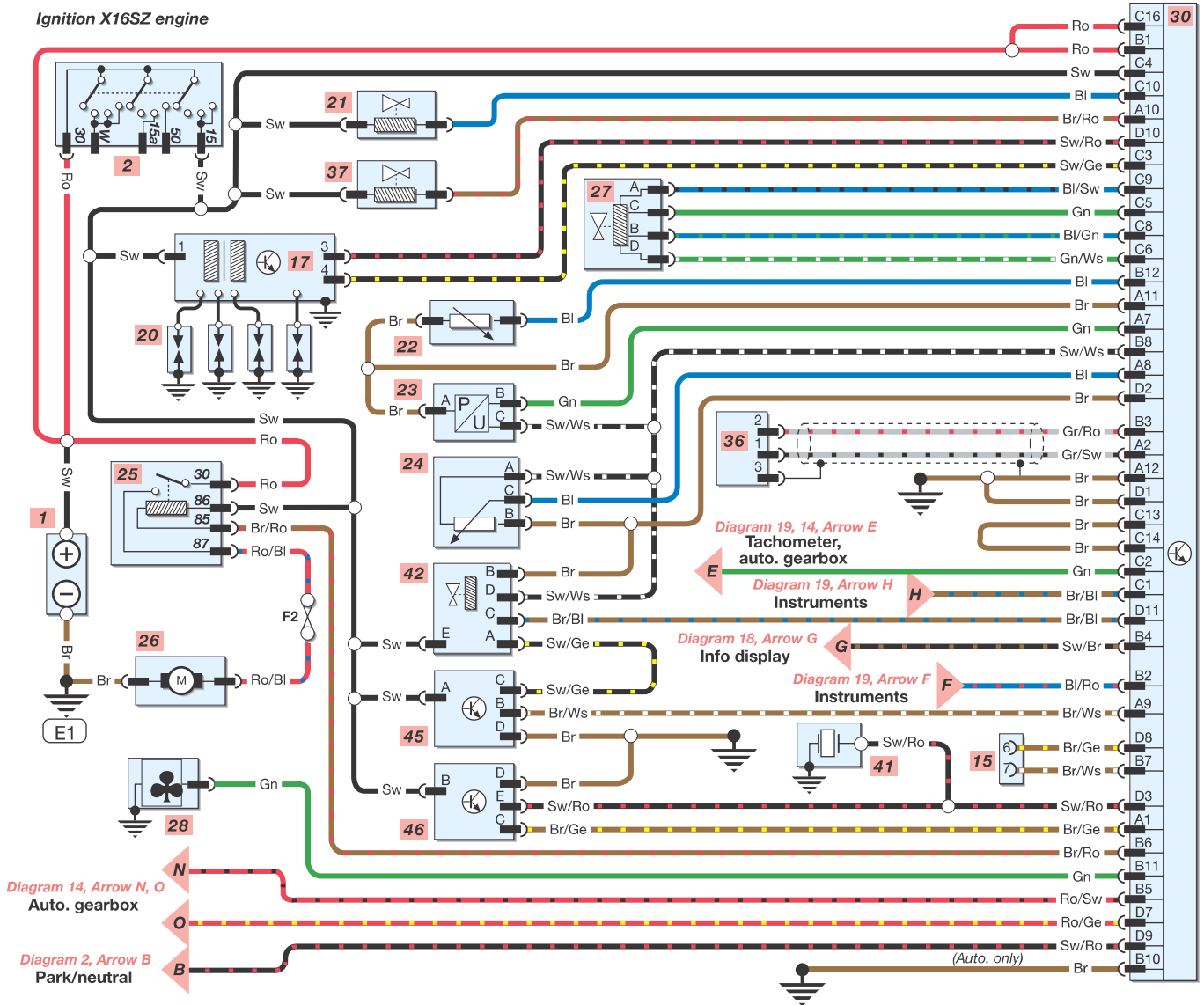
Key to items

1 Battery	24 Throttle valve sensor	41 Knock sensor
2 Ignition switch	25 Fuel pump relay	42 Exhaust gas recirculation valve
15 Diagnostic connector	26 Fuel pump	45 Exhaust gas recirculation amp.
17 Ignition coil	27 Idle speed motor	46 Knock signal filter
20 Spark plugs	28 Lambda probe	
21 Fuel injector	30 Multec control unit	
22 Coolant temp sensor	36 Crankshaft sensor	
23 Intake pressure sensor	37 Tank ventilation valve	

Astra 1995 to 1998 - Diagram 6

MTS
H32076

Ignition X16SZ engine



Wire colours

Bl Blue	Li Lilac
Br Brown	Ro Red
Ge Yellow	Sw Black
Gr Grey	Ws White
Gn Green	Or Orange

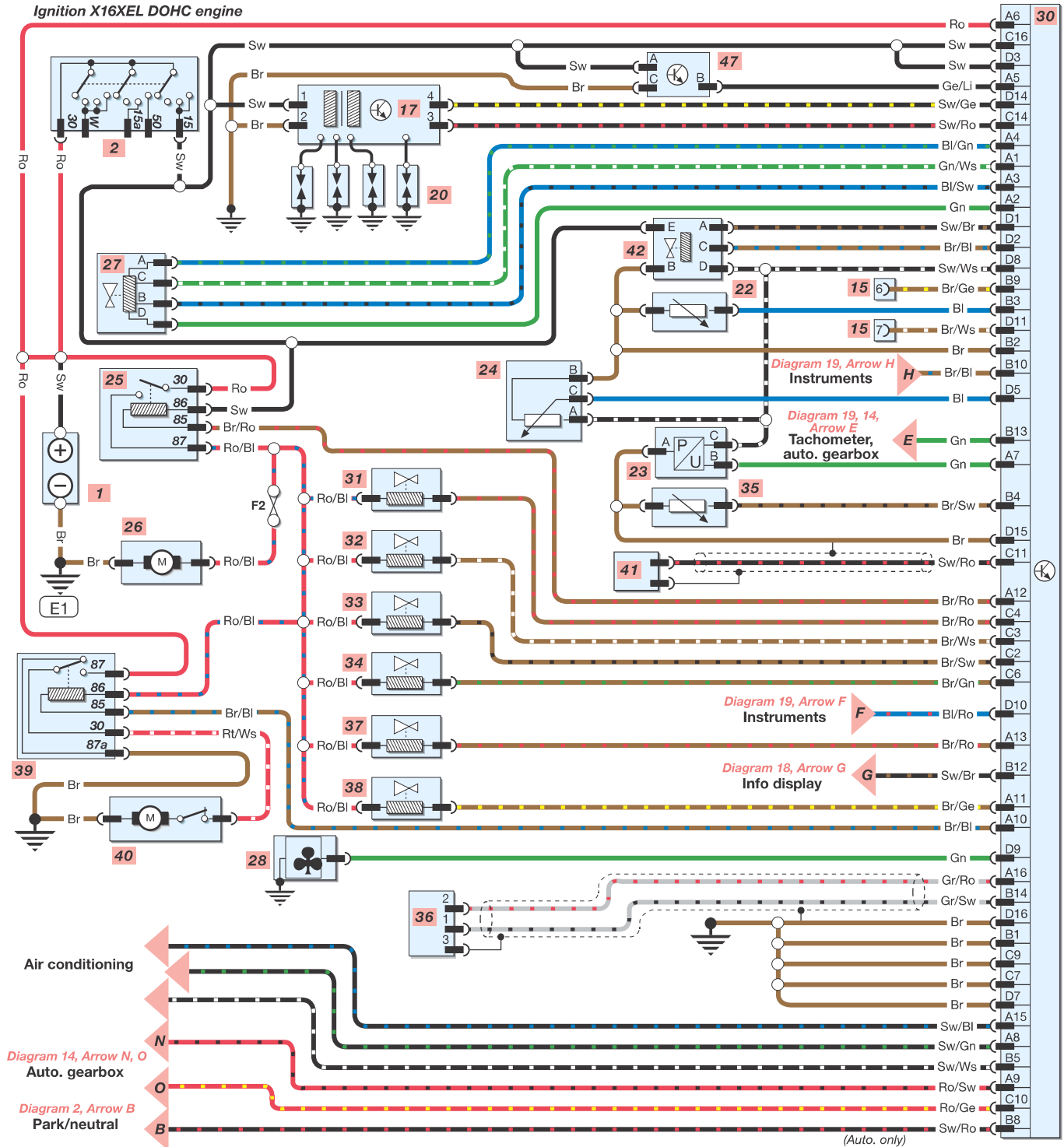
Key to items

1 Battery	25 Fuel pump relay
2 Ignition switch	26 Fuel pump
15 Diagnostic connector	27 Idle speed motor
17 Ignition coil	28 Lambda probe
20 Spark plugs	30 Multec control unit
22 Coolant temp sensor	31 Fuel injector 1
23 Intake pressure sensor	32 Fuel injector 2
24 Throttle valve sensor	33 Fuel injector 3

Astra 1995 to 1998 - Diagram 7

34 Fuel injector 4	40 Secondary air induct pump
35 Intake temp. sensor	41 Knock sensor
36 Crankshaft sensor	42 Exhaust gas recirculation valve
37 Tank ventilation valve	47 Crankshaft sensor 2
38 Secondary air induct valve	
39 Secondary air induct relay	

MTS
H32077



Wire colours

Bl Blue	Li Lilac
Br Brown	Ro Red
Ge Yellow	Sw Black
Gr Grey	Ws White
Gn Green	Or Orange

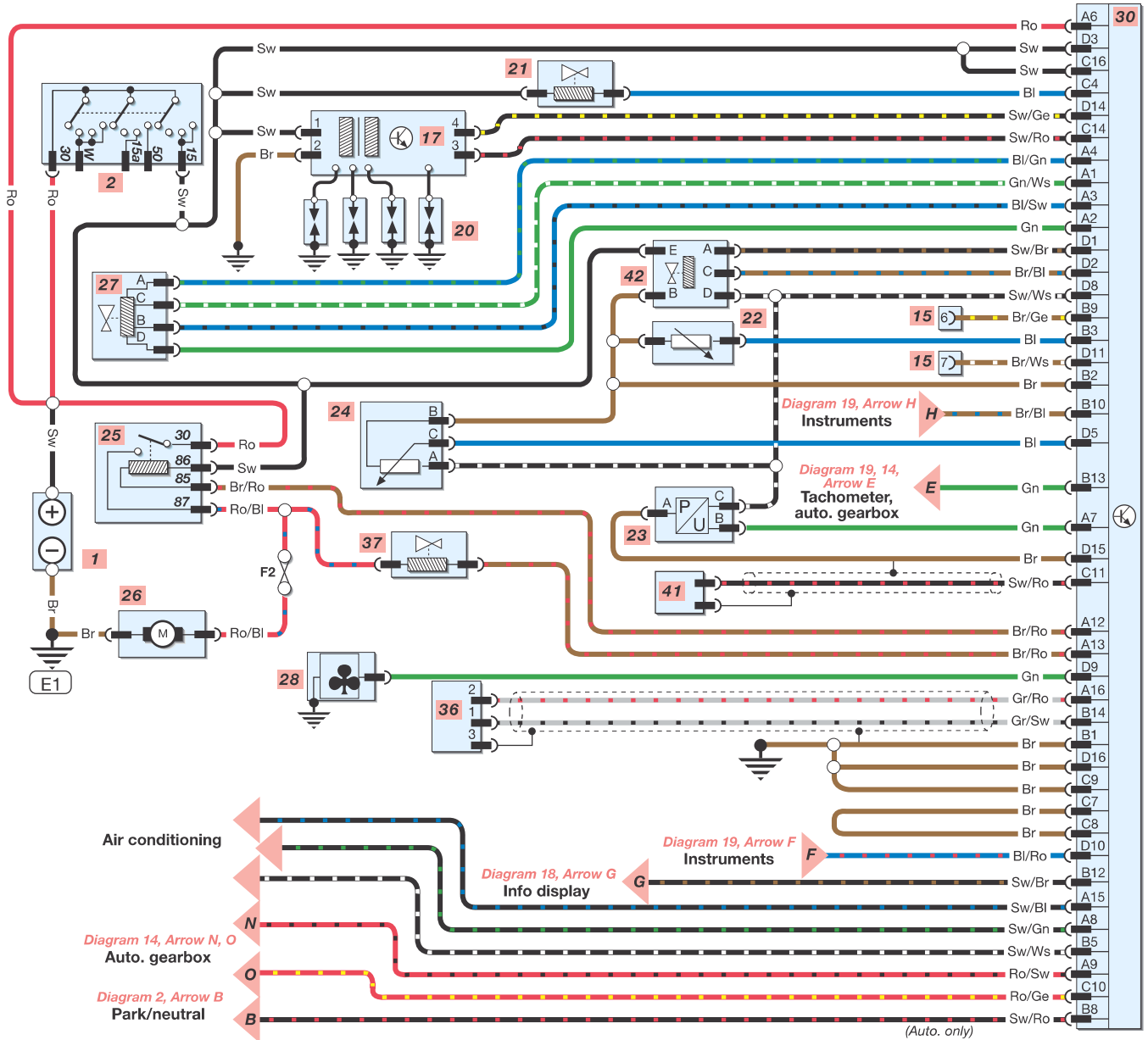
Key to items

1 Battery	22 Coolant temp sensor	28 Lambda probe
2 Ignition switch	23 Intake pressure sensor	30 Multec control unit
15 Diagnostic connector	24 Throttle valve sensor	36 Crankshaft sensor
17 Ignition coil	25 Fuel pump relay	37 Tank ventillation valve
20 Spark plugs	26 Fuel pump	41 Knock sensor
21 Fuel injector	27 Idle speed motor	42 Exhaust gas recirculation valve

Astra 1995 to 1998 - Diagram 8

MTS
H32078

Ignition X16SZR engine



Wire colours

Bl Blue	Li Lilac
Br Brown	Ro Red
Ge Yellow	Sw Black
Gr Grey	Ws White
Gn Green	Or Orange

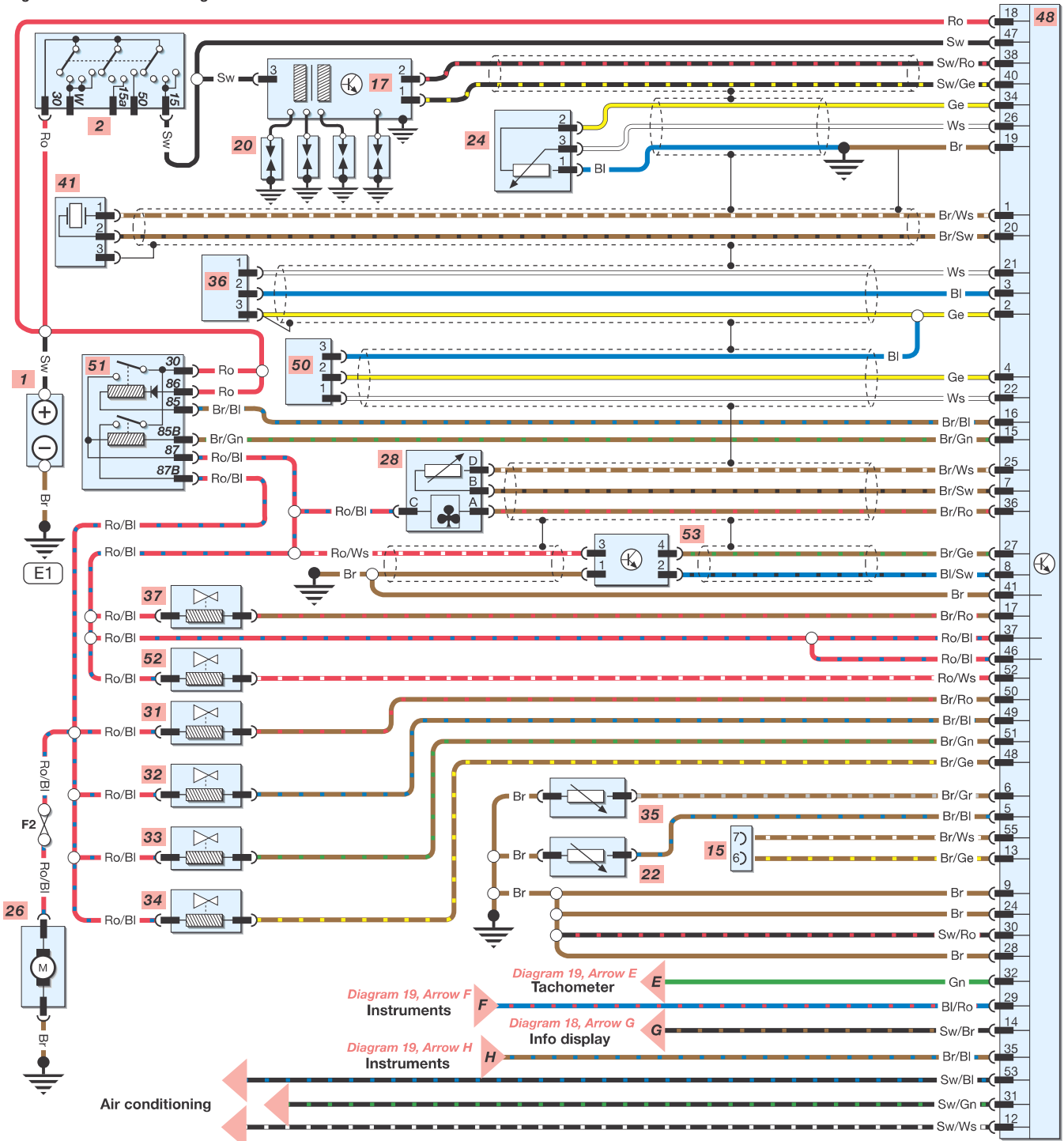
Key to items

1 Battery	28 Lambda probe	41 Knock sensor
2 Ignition switch	31 Fuel injector 1	48 Simtec 56 control unit
15 Diagnostic connector	32 Fuel injector 2	49 Hall sensor
17 Ignition coil	33 Fuel injector 3	50 Camshaft sensor
20 Spark plugs	34 Fuel injector 4	51 Fuel injection relay
22 Coolant temp sensor	35 Intake temp. sensor	52 Idle speed actuator
24 Throttle valve sensor	36 Crankshaft sensor	53 Air mass meter
26 Fuel pump	37 Tank ventilation valve	

Astra 1995 to 1998 - Diagram 9

MTS
H32079

Ignition C18XEL DOHC engine



Wire colours

Bl Blue	Li Lilac
Br Brown	Ro Red
Ge Yellow	Sw Black
Gr Grey	Ws White
Gn Green	Or Orange

Key to items

1	Battery
2	Ignition switch
17	Ignition coil
20	Spark plugs
24	Throttle valve sensor
25	Fuel pump relay
26	Fuel pump
28	Lambda probe

31	Fuel injector 1
32	Fuel injector 2
33	Fuel injector 3
34	Fuel injector 4
36	Crankshaft sensor
37	Tank ventilation valve
38	Secondary air induct valve

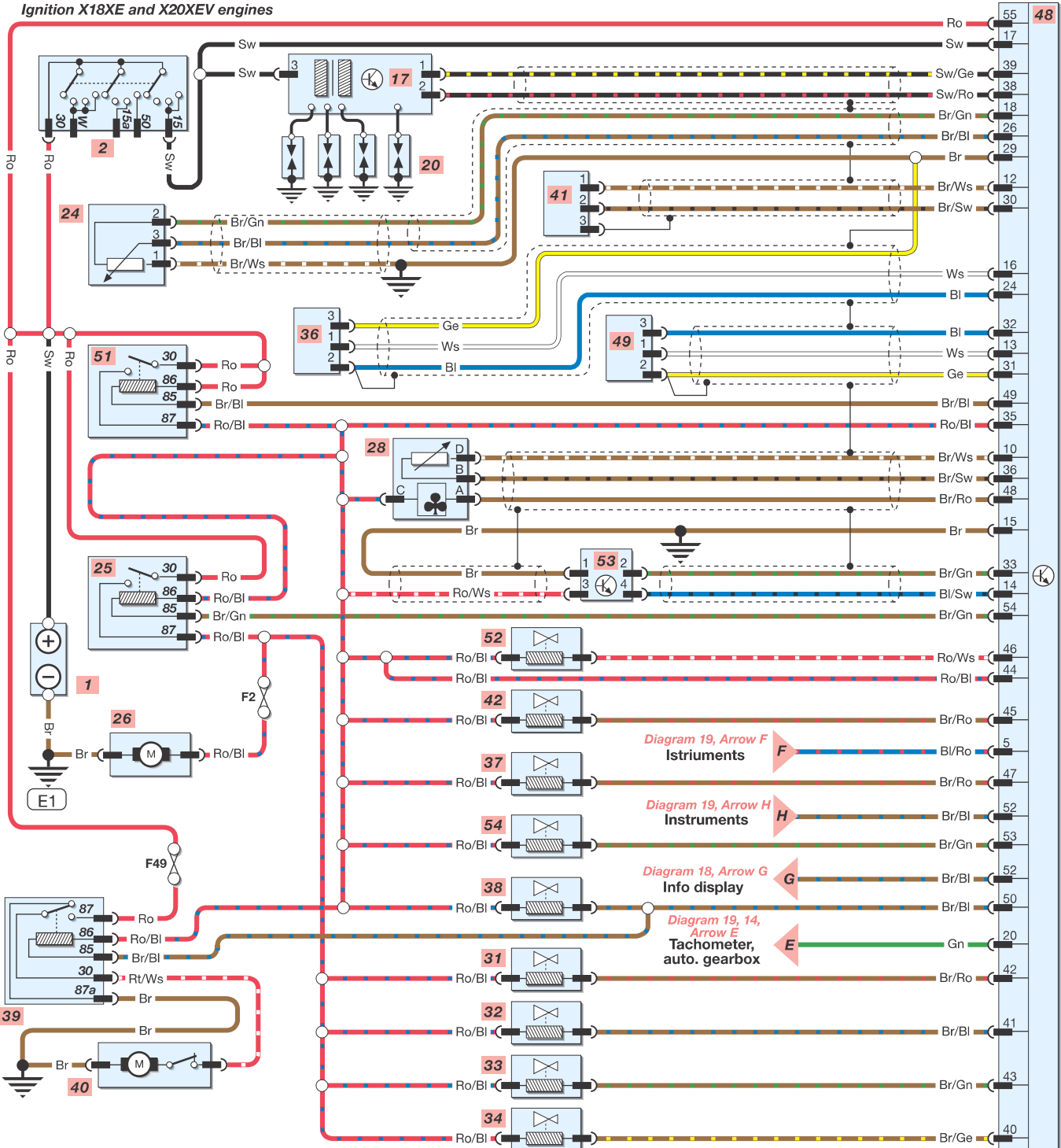
39	Secondary air induct relay
40	Secondary air induct pump
41	Knock sensor
42	Exhaust gas recirculation valve
48	Simtec 56 control unit

49	Hall sensor
51	Fuel injection relay
52	Idle speed actuator
53	Air mass meter
54	Change manifold valve

Astra 1995 to 1998 - Diagram 10

MTS
H32080

Ignition X18XE and X20XE engines



Wire colours

Bl Blue	Li Lilac
Br Brown	Ro Red
Ge Yellow	Sw Black
Gr Grey	Ws White
Gn Green	Or Orange

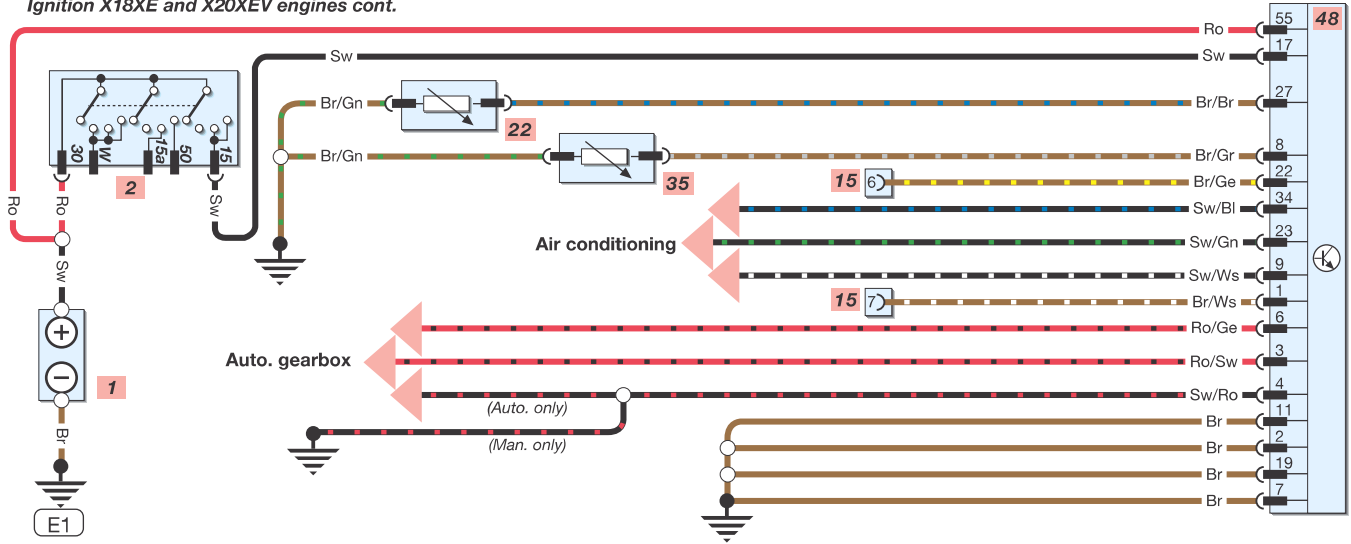
Key to items

1 Battery	56 Clock spring
2 Ignition switch	57 Signal horn switch
15 Diagnostic connector	58 Signal horn
22 Coolant temp. sensor	59 Trumpet horn relay
35 Intake temp. sensor	60 Horn switch (not airbag)
48 Simtec 56 control unit	61 Trumpet horn
55 Signal horn relay (airbag only)	62 Radiator fan
	63 Pre-resistor

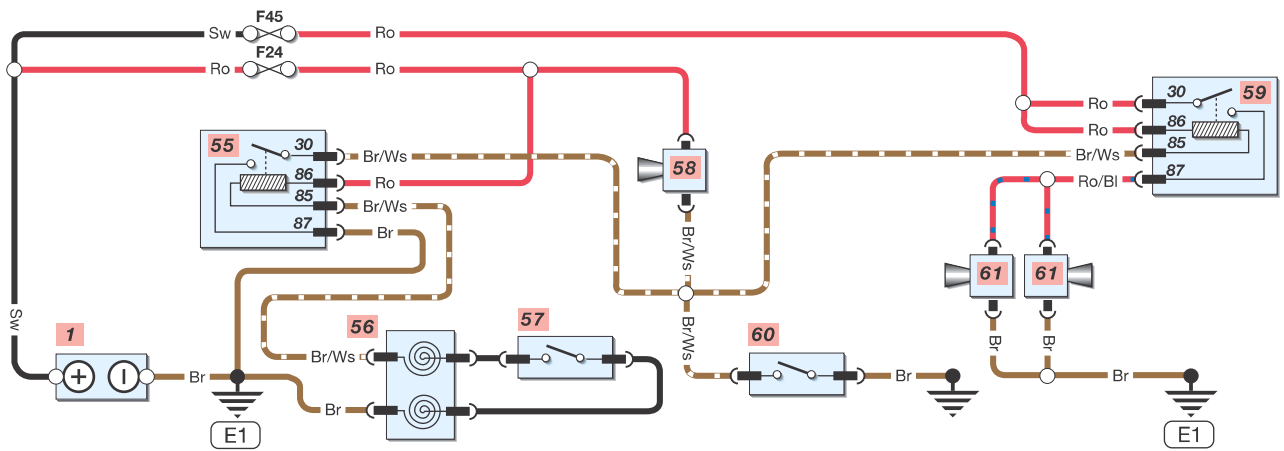
Astra 1995 to 1998 - Diagram 11

MTS
H32081

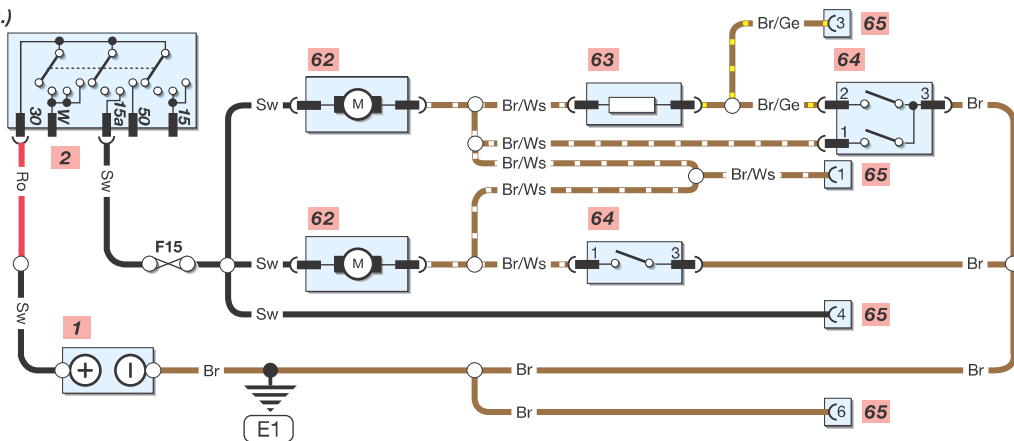
Ignition X18XE and X20XE engines cont.



Horn



Radiator fan (not air con.)



Wire colours

Bl Blue	Li Lilac
Br Brown	Ro Red
Ge Yellow	Sw Black
Gr Grey	Ws White
Gn Green	Or Orange

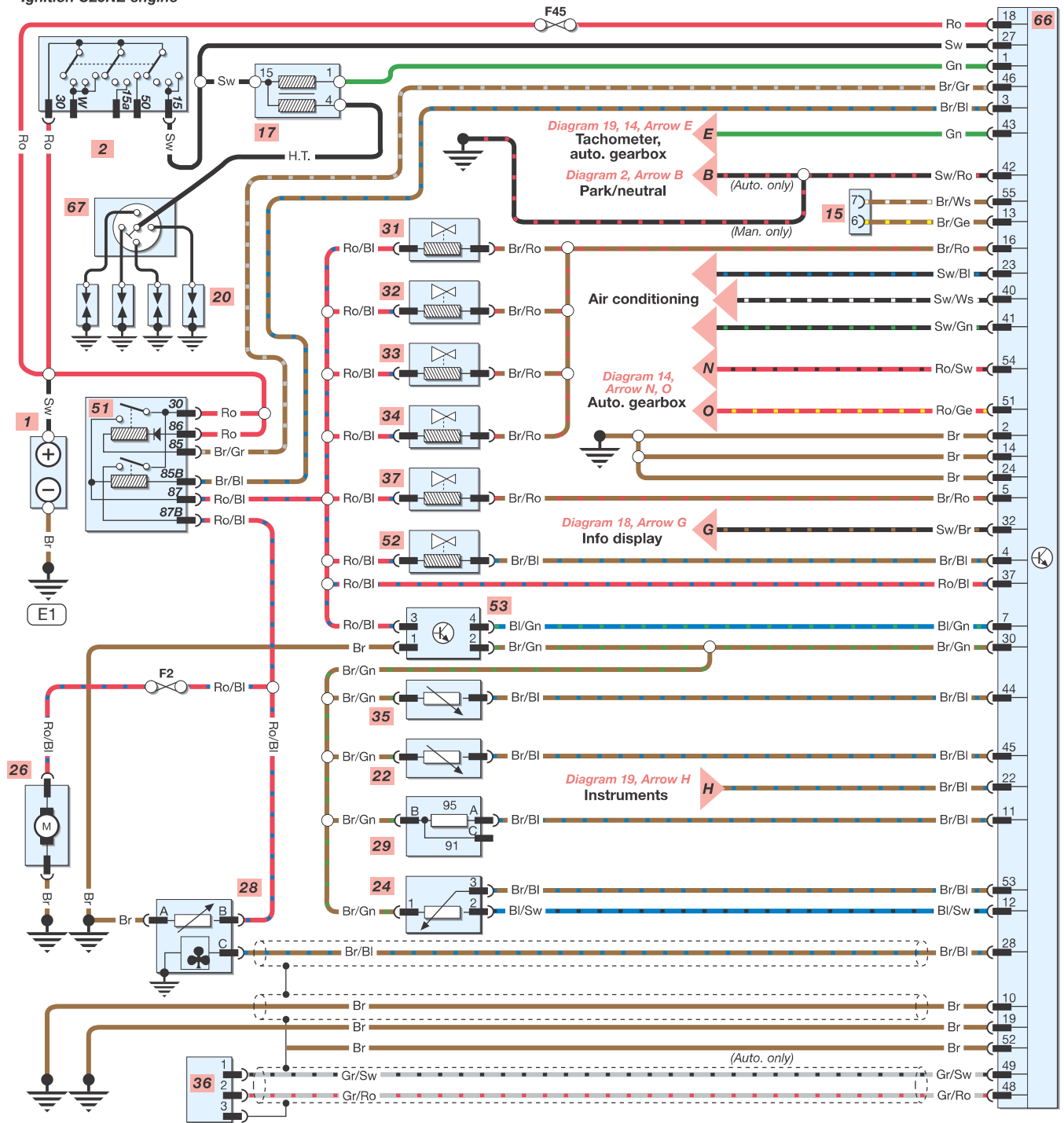
Key to items

1 Battery	28 Lambda probe	37 Tank ventilation valve
2 Ignition switch	29 Octane plug	51 Fuel injection relay
15 Diagnostic connector	31 Fuel injector 1	52 Idle speed actuator
17 Ignition coil	32 Fuel injector 2	53 Air mass meter
20 Spark plugs	33 Fuel injector 3	66 Motronic control unit
22 Coolant temp sensor	34 Fuel injector 4	67 Distributor
24 Throttle valve sensor	35 Intake temp. sensor	
26 Fuel pump	36 Crankshaft sensor	

Astra 1995 to 1998 - Diagram 12

MTS
H32082

Ignition C20NE engine



Wire colours

Bl Blue	Li Lilac
Br Brown	Ro Red
Ge Yellow	Sw Black
Gr Grey	Ws White
Gn Green	Or Orange

Key to items

1 Battery
2 Ignition switch
15 Diagnostic connector
17 Ignition coil
18 Ignition module
20 Spark plugs
22 Coolant temp sensor
24 Throttle valve sensor

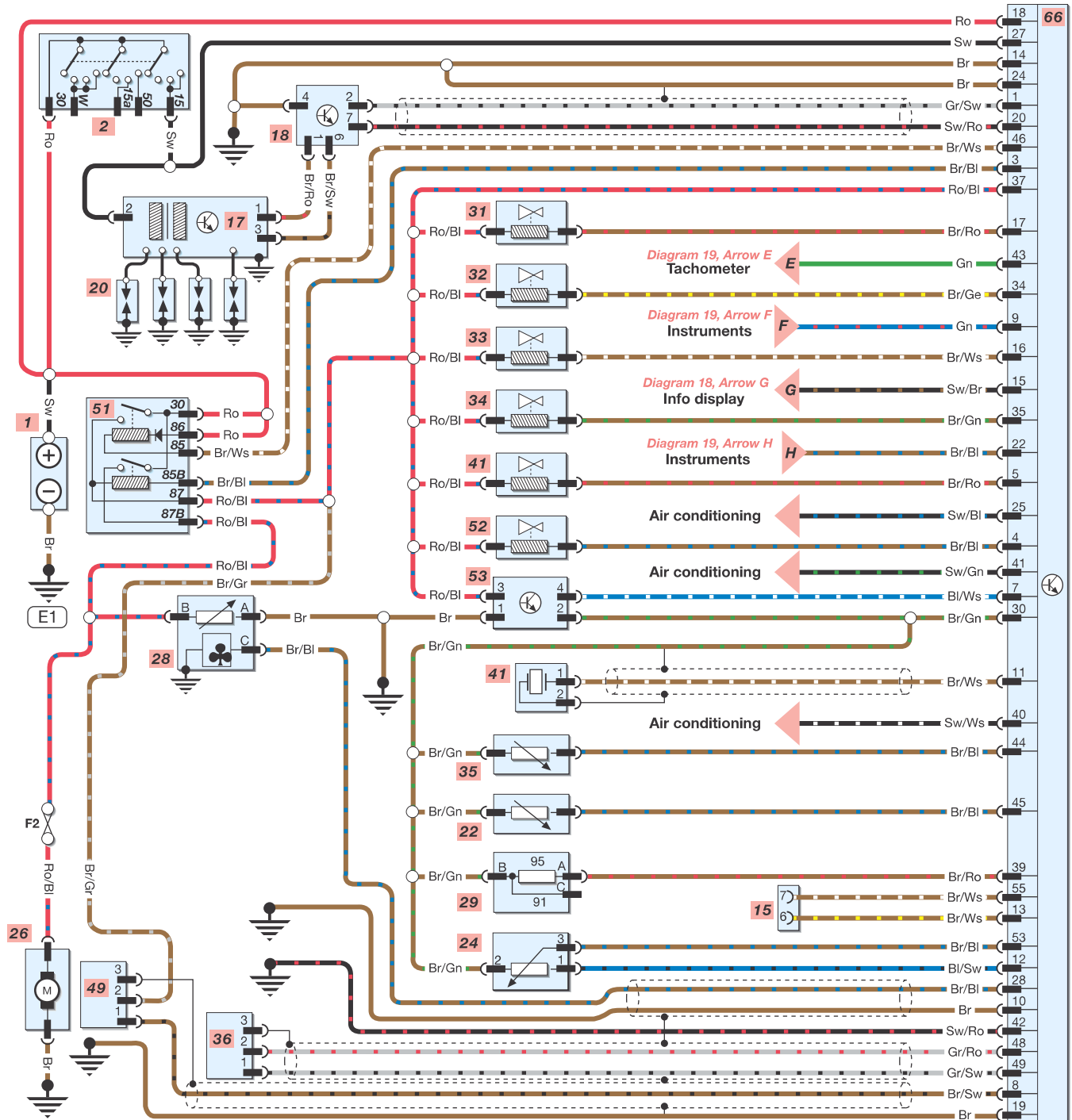
26 Fuel pump
28 Lambda probe
29 Octane plug
31 Fuel injector 1
32 Fuel injector 2
33 Fuel injector 3
34 Fuel injector 4
35 Intake temp. sensor

36 Crankshaft sensor
37 Tank ventilation valve
41 Knock sensor
49 Hall sensor
51 Fuel injection relay
52 Idle speed actuator
53 Air mass meter
66 Motronic control unit

Astra 1995 to 1998 - Diagram 13

MTS
H32083

Ignition C20XE DOHC engine



Wire colours

Bl Blue	Li Lilac
Br Brown	Ro Red
Ge Yellow	Sw Black
Gr Grey	Ws White
Gn Green	Or Orange

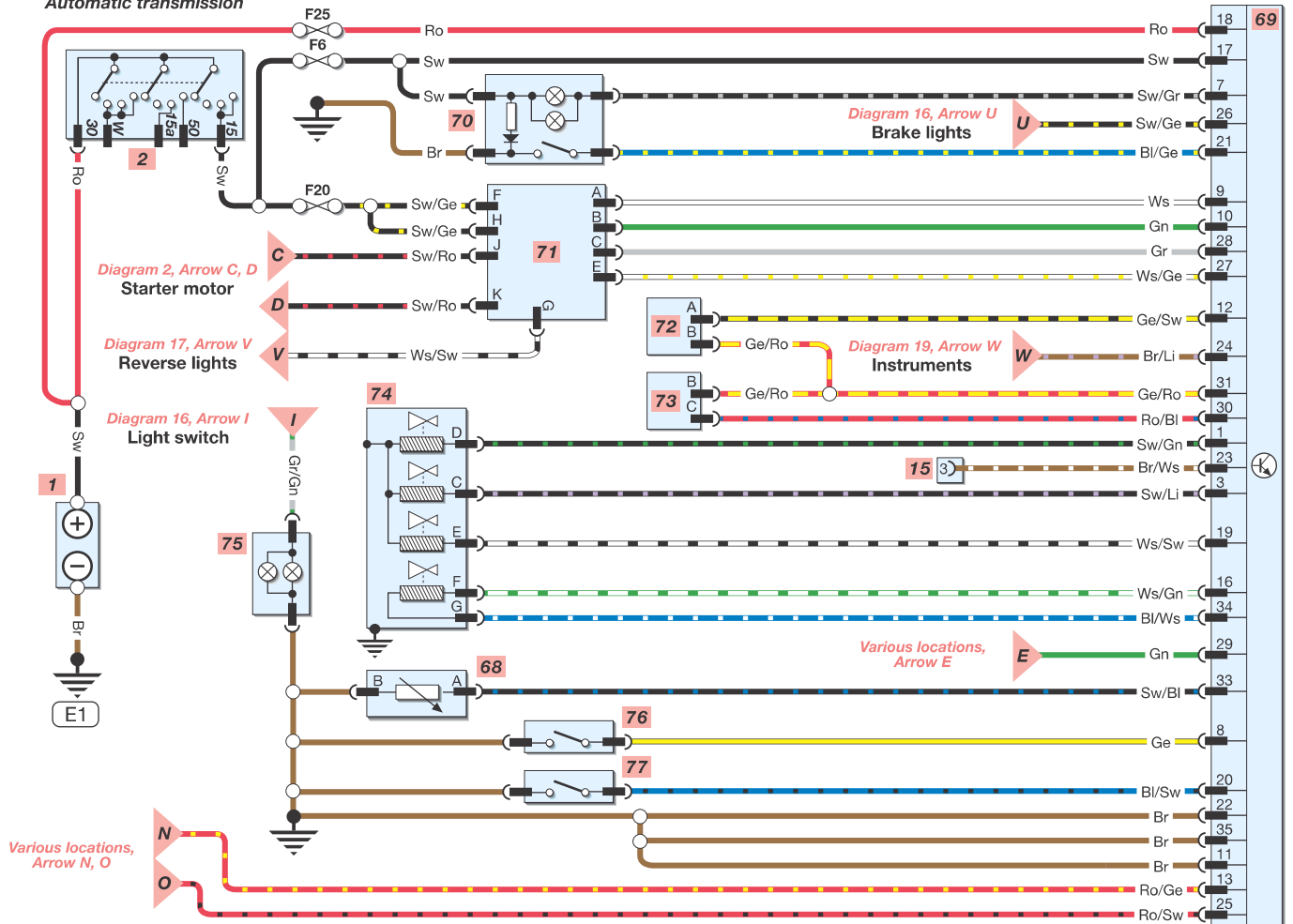
Key to items

1 Battery	69 Transmission control	75 Selector illumination
2 Ignition switch	70 Startup assistance	76 Kickdown switch
15 Diagnostic connector	71 Transmission switch	77 Program switch
56 Clock spring	72 Input sensor	78 Airbag control unit
68 Transmission temp. sensor	73 Output sensor	79 RH airbag
	74 Valve body	80 LH airbag

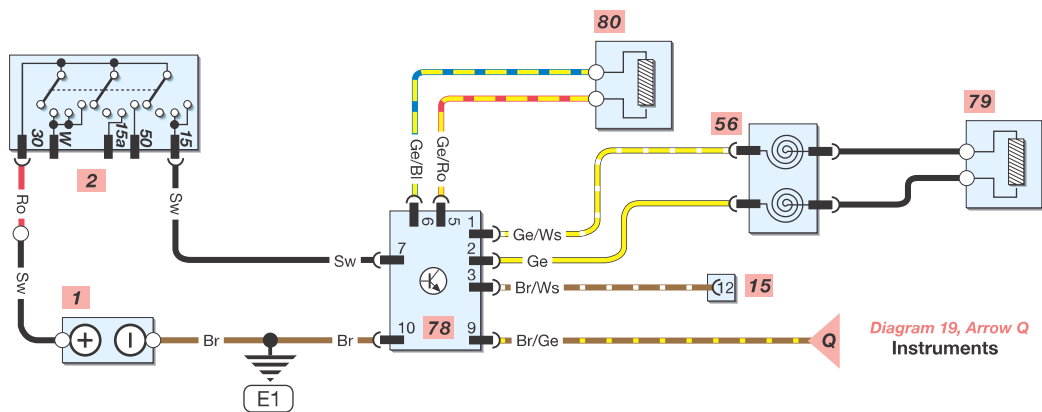
Astra 1995 to 1998 - Diagram 14

MTS
H32084

Automatic transmission



Airbag



Wire colours

Bl Blue	Li Lilac
Br Brown	Ro Red
Ge Yellow	Sw Black
Gr Grey	Ws White
Gn Green	Or Orange

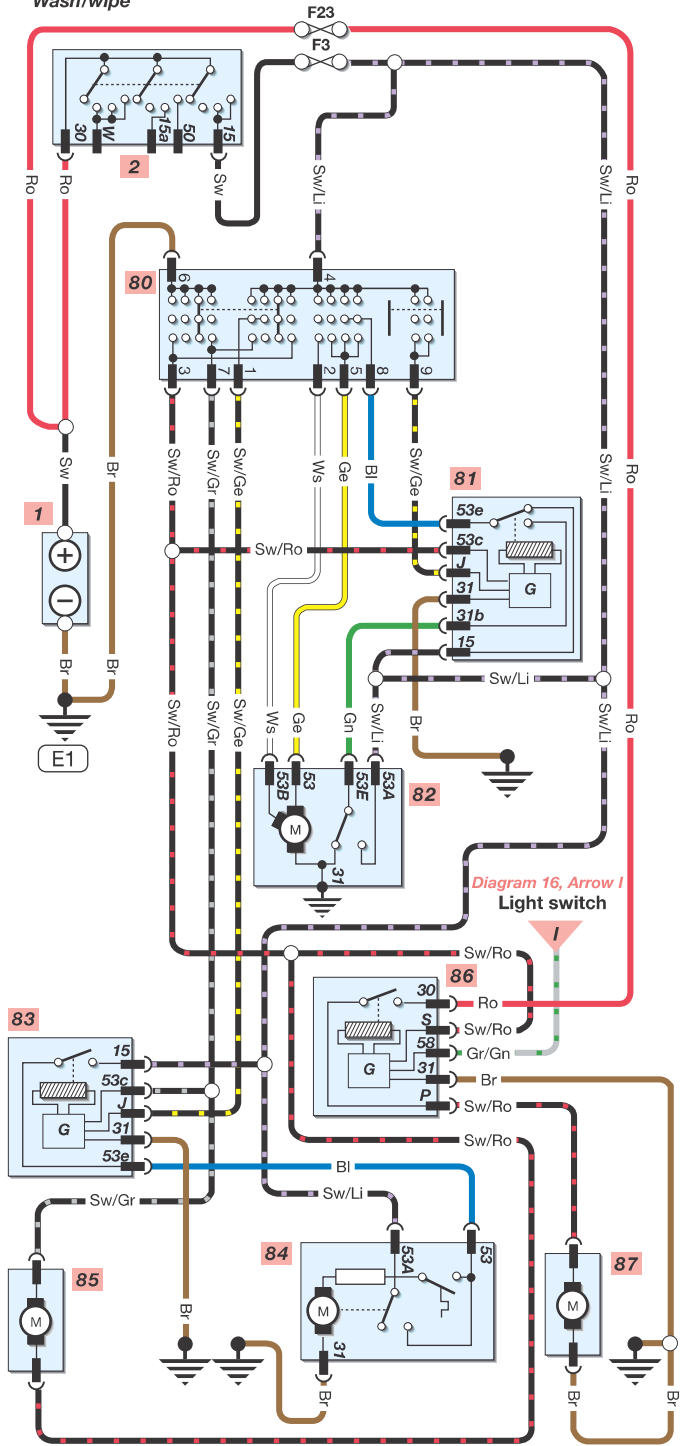
Key to items

1 Battery	84 Rear window wiper motor
2 Ignition switch	85 Washer pump
80 Wiper switch	86 Headlight washer relay
81 Windscreen wiper relay	87 Headlight wiper pump
82 Windscreen wiper motor	88 RH window switch
83 Rear window wiper relay	89 LH window switch
	90 RH window motor

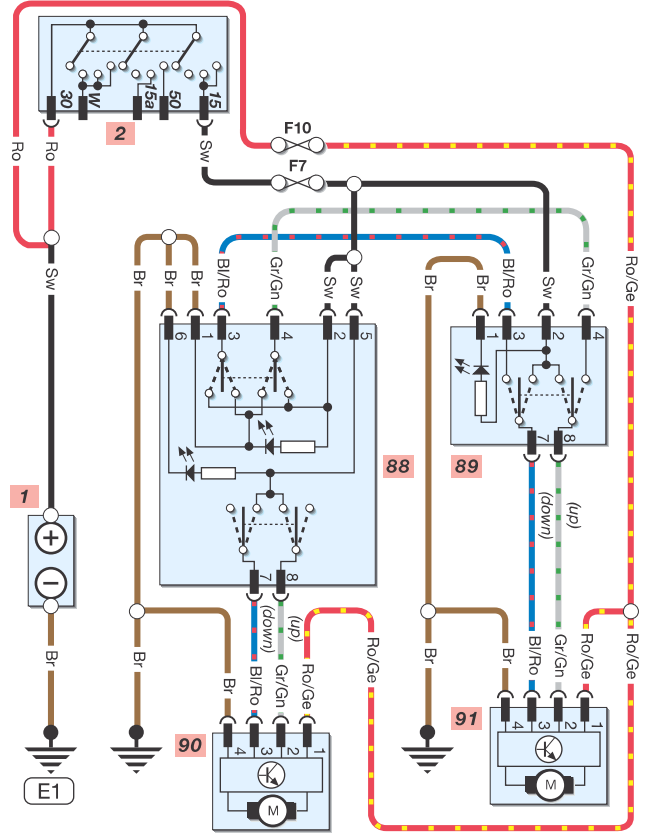
Astra 1995 to 1998 - Diagram 15

MTS
H32085

Wash/wipe



Electric windows



Cigarette lighter and seat heating

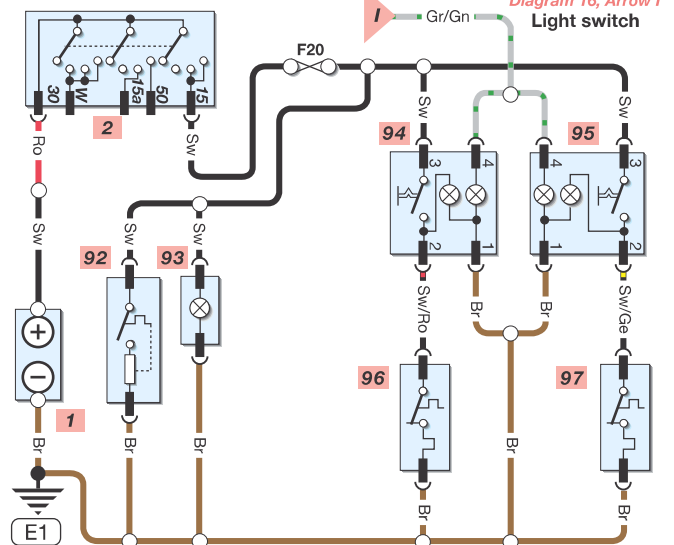


Diagram 16, Arrow 1
Light switch

Diagram 16, Arrow 1
Light switch

Wire colours

Bl Blue	Li Lilac
Br Brown	Ro Red
Ge Yellow	Sw Black
Gr Grey	Ws White
Gn Green	Or Orange

Key to items

1 Battery
2 Ignition switch
98 Light switch
99 LH front light cluster
a) direction indicator
b) side light
c) dipped beam
d) main beam

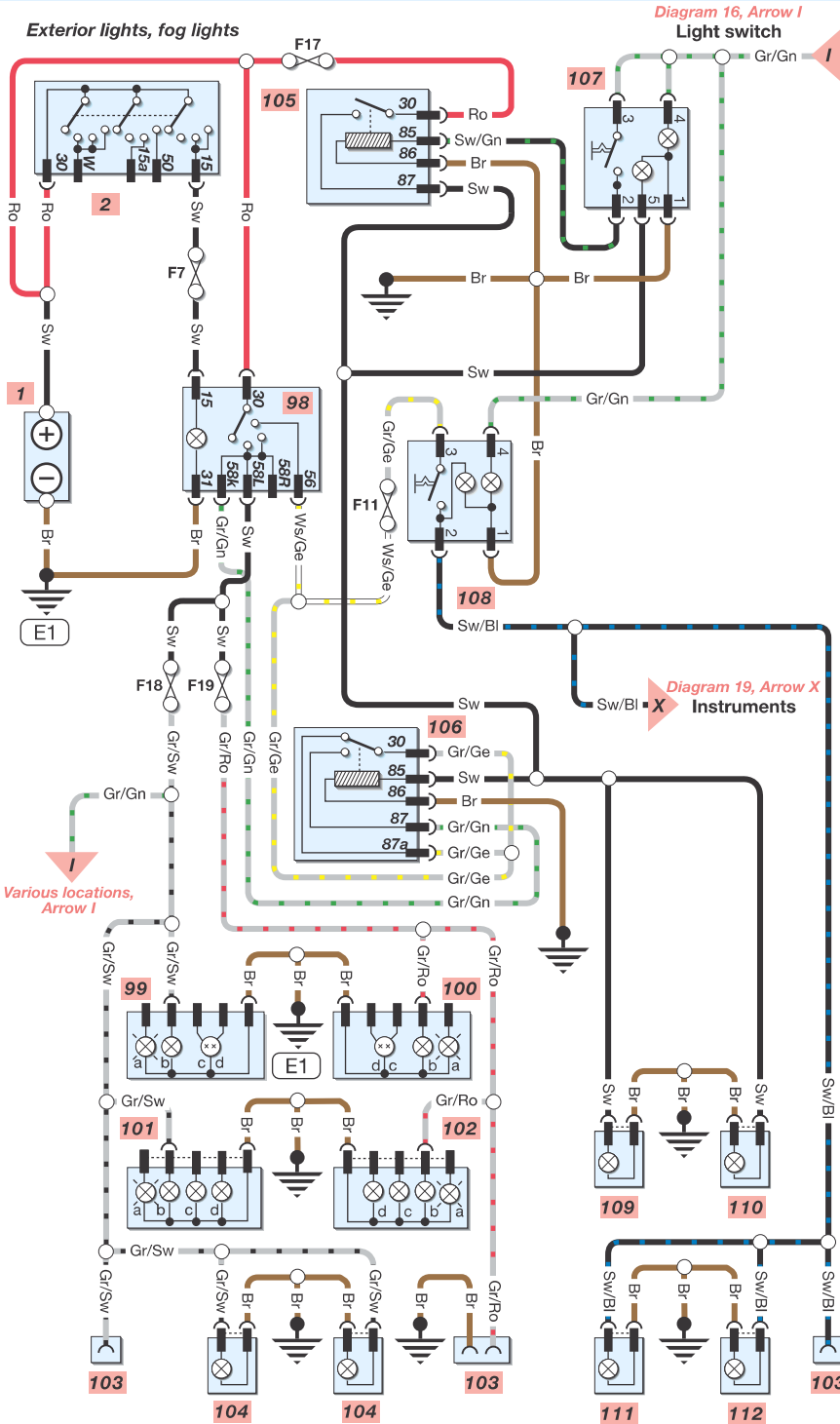
100 RH front light cluster
(as 99)
101 LH rear light cluster
a) direction indicator
b) tail light
c) brake light
d) reverse light

102 RH rear light cluster
(as 101)
103 Trailer connection
104 Licence plate light
105 Front fog light relay
106 Rear fog light relay
107 Front fog light switch

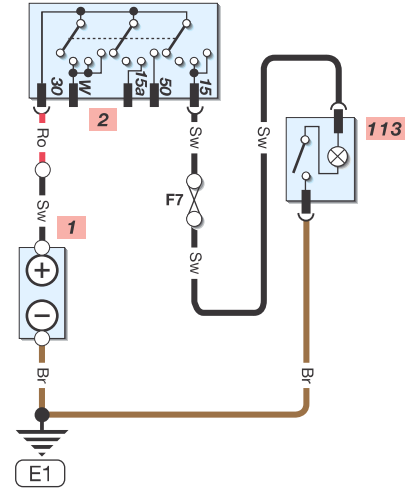
108 Rear fog light switch
109 LH front fog light
110 RH front fog light
111 LH rear fog light
112 RH rear fog light
113 Glove box light/switch
114 Brake light switch

Astra 1995 to 1998 - Diagram 16

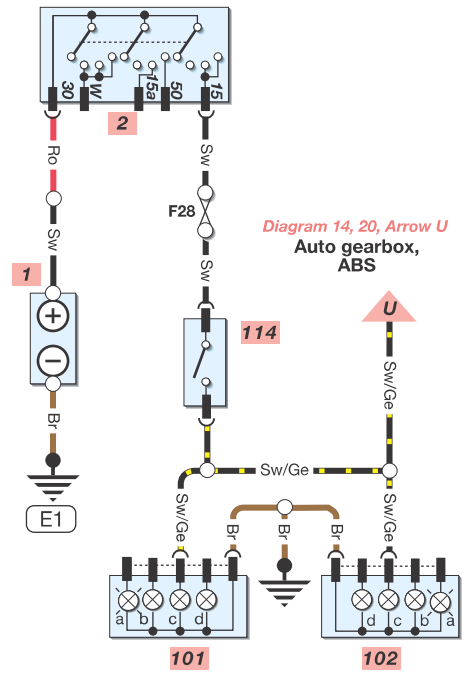
MTS
H32086



Glove box light



Brake lights



Wire colours

Bl Blue	Li Lilac
Br Brown	Ro Red
Ge Yellow	Sw Black
Gr Grey	Ws White
Gn Green	Or Orange

Key to items

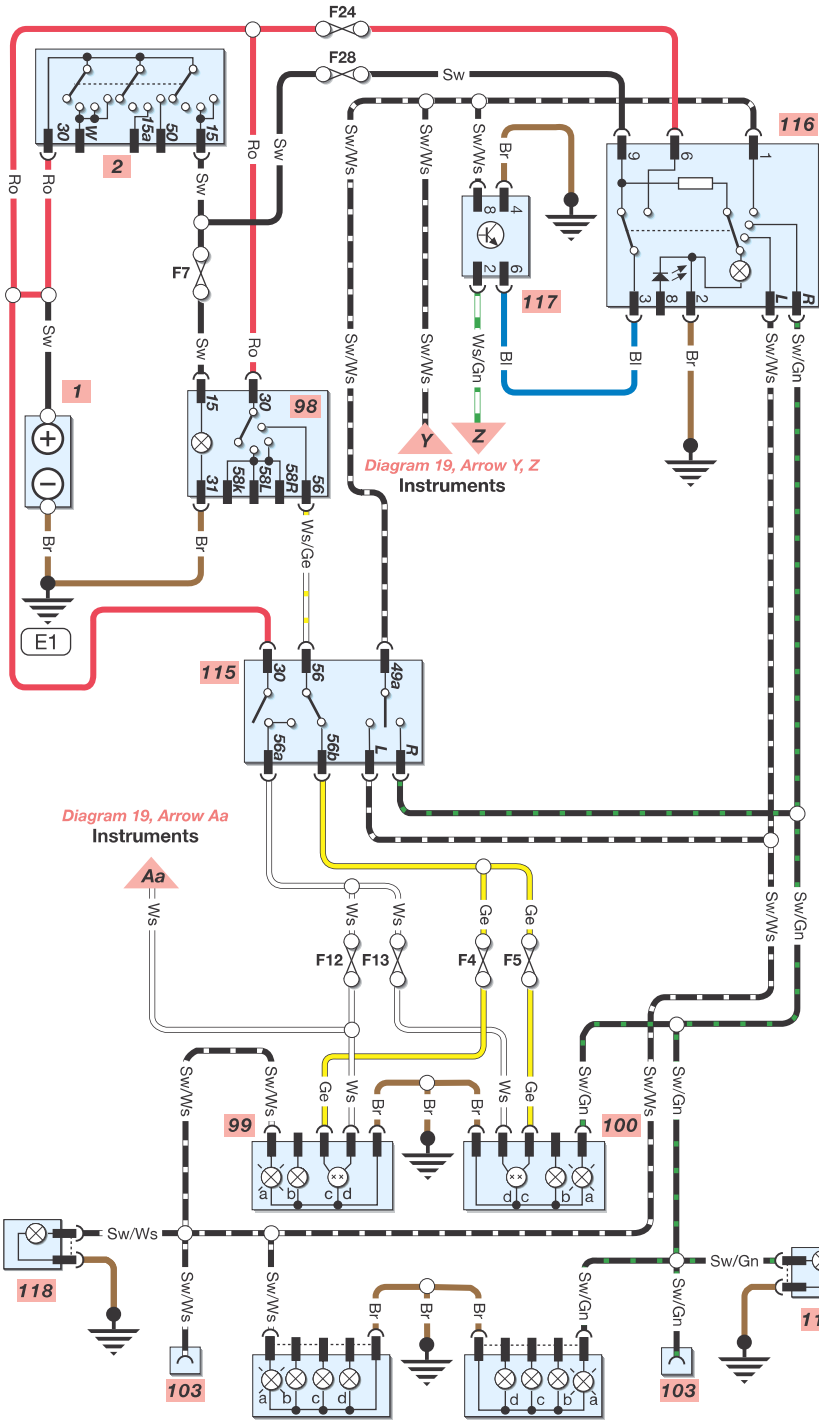
1 Battery	(as 99)
2 Ignition switch	101 LH rear light cluster
98 Light switch	a) direction indicator
99 LH front light cluster	b) tail light
a) direction indicator	c) brake light
b) side light	d) reverse light
c) dipped beam	102 RH rear light cluster
d) main beam	(as 101)
100 RH front light cluster	103 Trailer connection

Astra 1995 to 1998 - Diagram 17

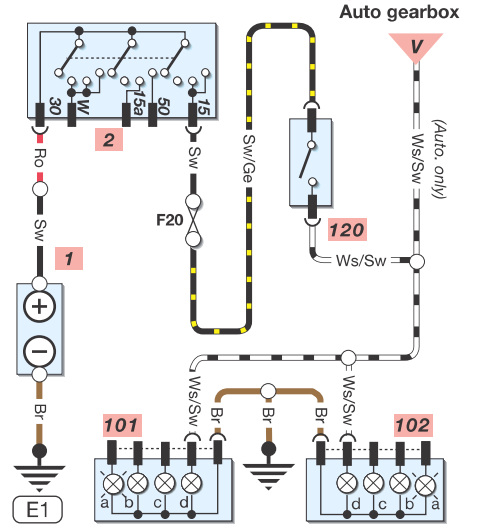
115 Flasher/indicator switch	123 LH rear reading light
116 Hazard switch	124 RH rear reading light
117 Flasher unit	125 Passenger light switch
118 LH side repeater	126 Trunk light switch
119 RH side repeater	127 LH front door switch
120 Reverse light switch	128 LH rear door switch
121 Passenger light	129 RH rear door switch
122 Trunk light	130 RH front door switch
	131 Light warning buzzer

MTS
H32087

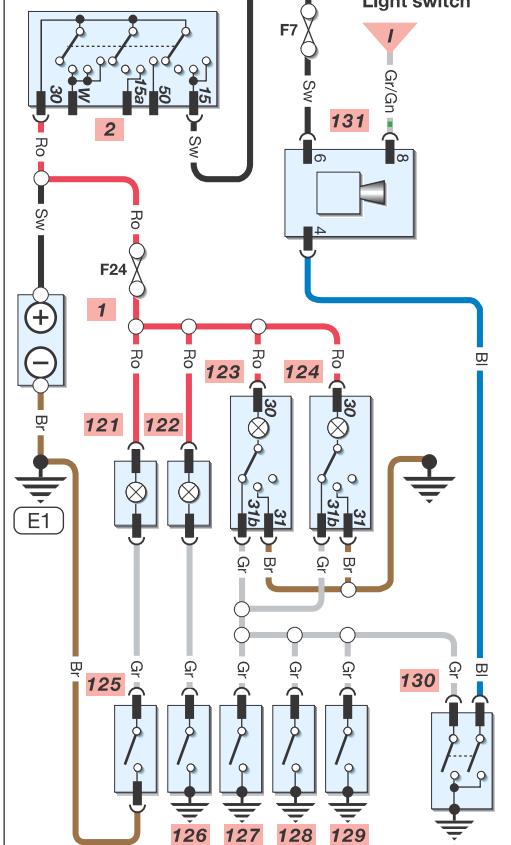
Headlights, direction indicators



Reversing lights



Interior lights



Wire colours

Bl Blue	Li Lilac
Br Brown	Ro Red
Ge Yellow	Sw Black
Gr Grey	Ws White
Gn Green	Or Orange

Key to items

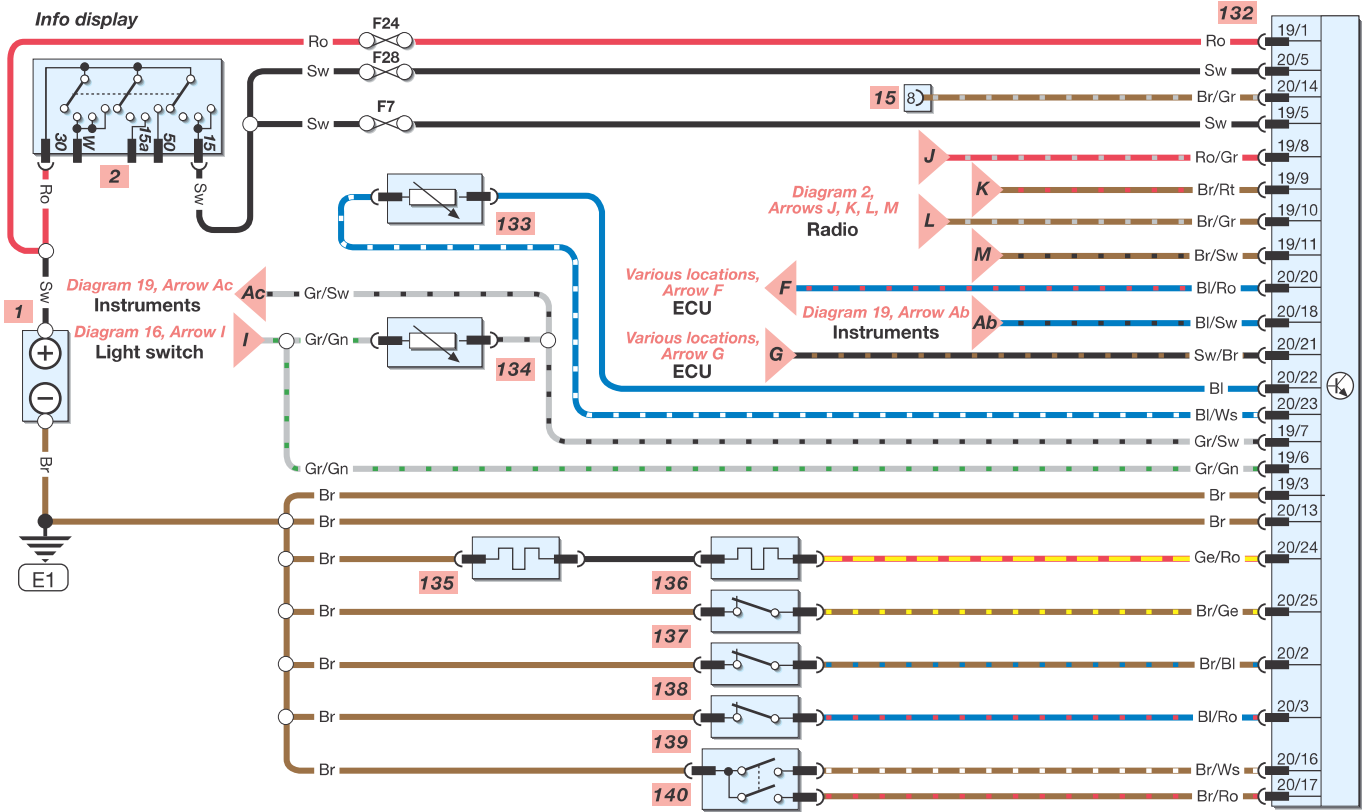
1 Battery
2 Ignition switch
15 Diagnostic connector
132 Triple info display
133 Outside temp. sensor
134 Instrument dimer

135 LH brake lining sensor
136 RH brake lining sensor
137 Washer fluid switch
138 Coolant fluid switch
139 Engine oil switch
140 Display switch

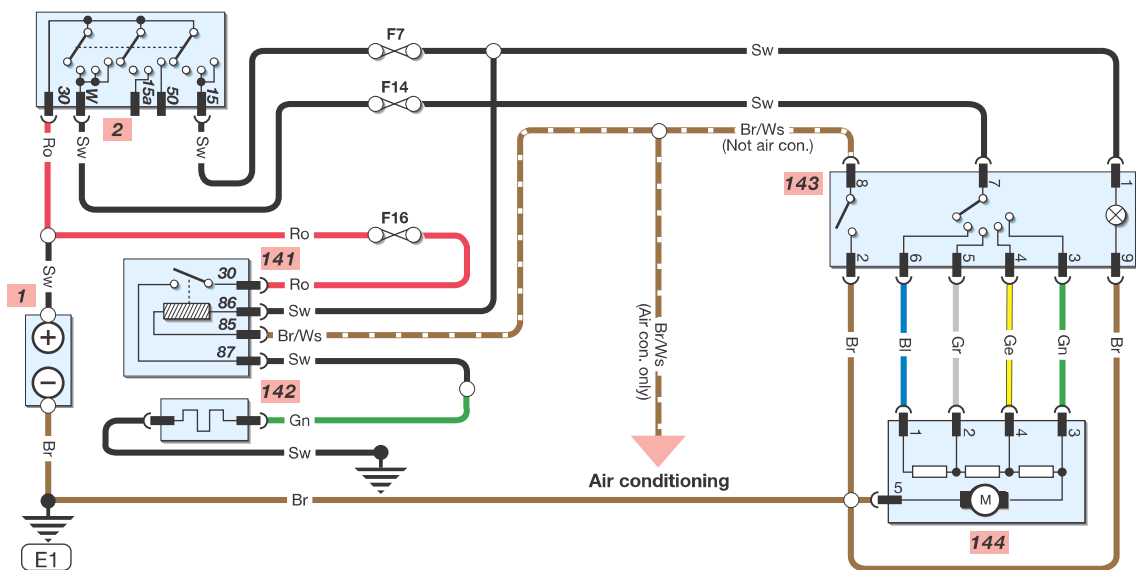
141 Rear window heater relay
142 Rear window heater
143 Blower/rear window heater switch
144 Blower motor

Astra 1995 to 1998 - Diagram 18

MTS
H32088



Rear window heater and heater blower



Wire colours

Bl Blue	Li Lilac
Br Brown	Ro Red
Ge Yellow	Sw Black
Gr Grey	Ws White
Gn Green	Or Orange

Key to items

- 1 Battery
- 2 Ignition switch
- 103 Trailer connection
- 145 Instrument display
- a) indicator tell-tale
- b) charge indicator
- c) brake warning
- d) oil pressure

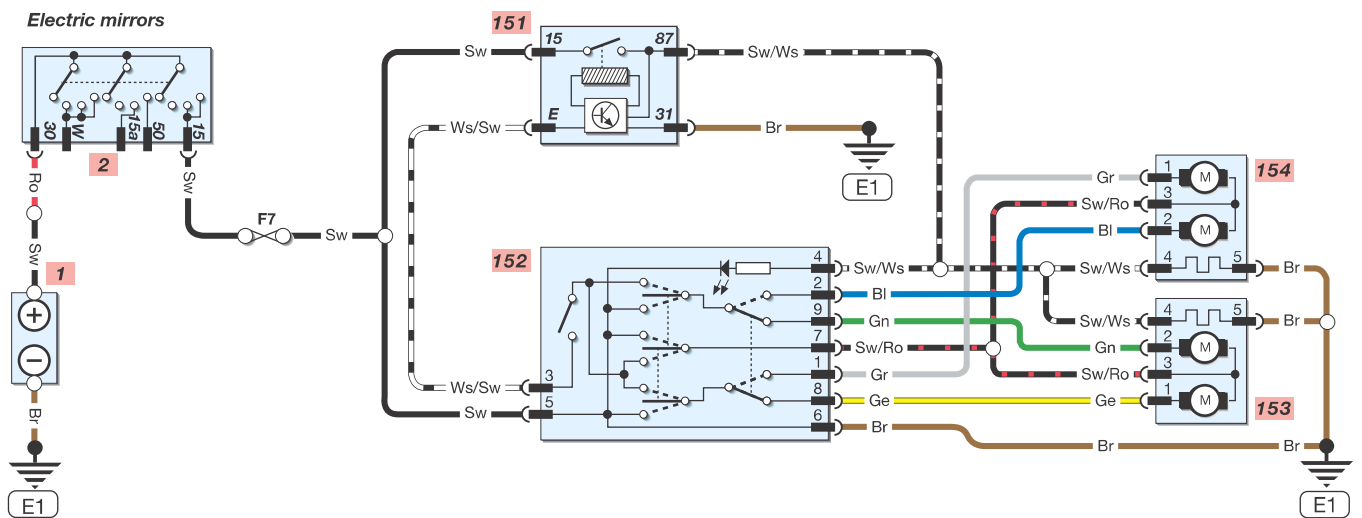
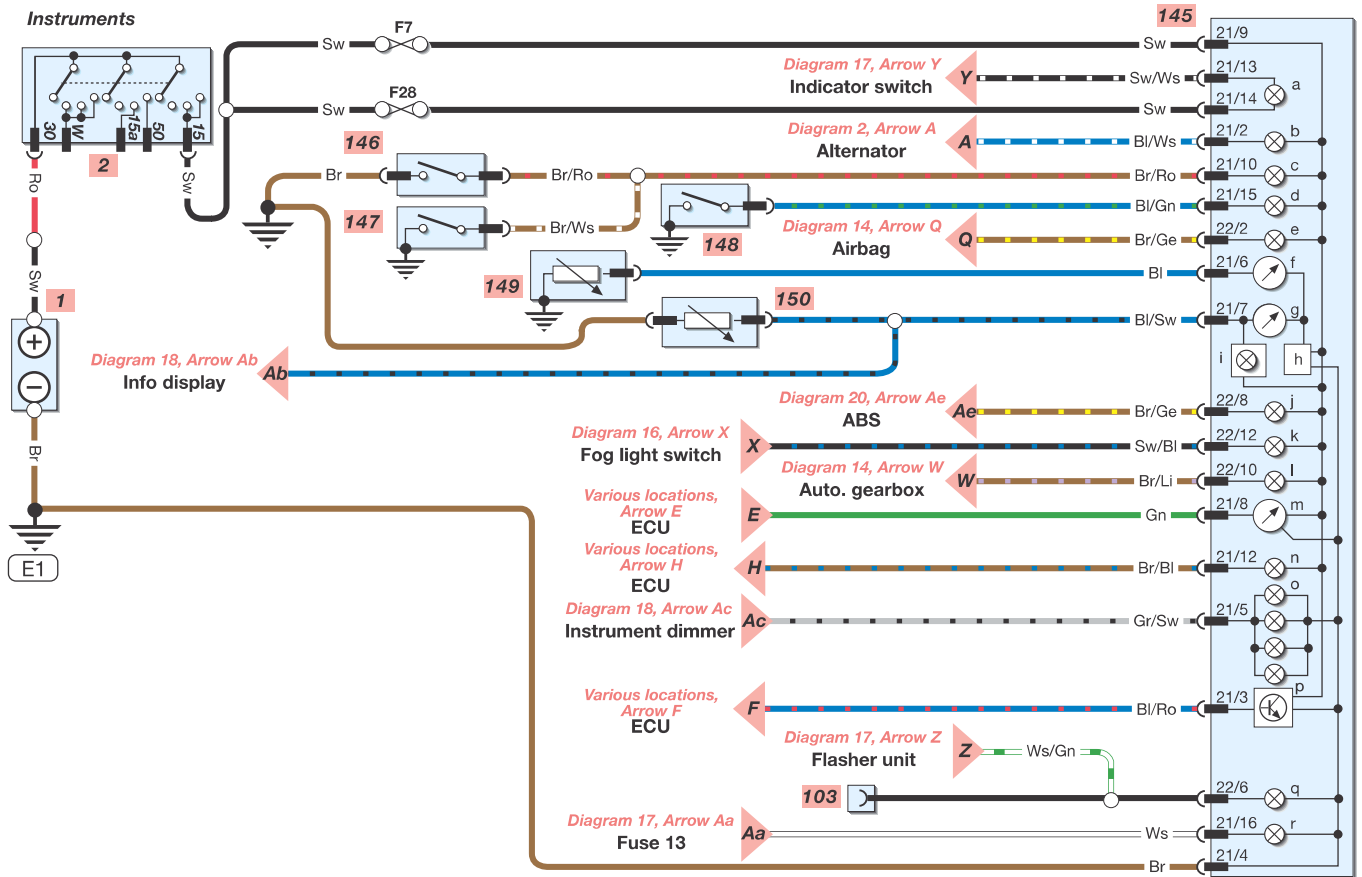
- e) airbag warning
- f) coolant temp.
- g) fuel gauge
- h) voltage stabilizer
- i) fuel reserve warning
- j) ABS warning
- k) fog light warning
- l) auto. warning

- m) tachometer
- n) engine warning
- o) illumination
- p) distance sensor
- q) trailer tell-tail
- r) main beam warning
- 146 Brake fluid switch
- 147 Handbrake switch

Astra 1995 to 1998 - Diagram 19

- 148 Oil pressure switch
- 149 Coolant temp. sensor
- 150 Fuel sensor
- 151 Mirror heater relay
- 152 Mirror adjustment unit
- 153 LH outside mirror
- 154 RH outside mirror

MTS
H32089



Wire colours

Bl Blue	Li Lilac
Br Brown	Ro Red
Ge Yellow	Sw Black
Gr Grey	Ws White
Gn Green	Or Orange

Key to items

1 Battery	158 Passengers lock motor
2 Ignition switch	159 Passengers lock switch
15 Diagnostic connector	160 LH rear lock motor
155 Central locking unit	161 RH rear lock motor
156 Drivers lock motor	162 Tailgate lock motor
157 Drivers lock switch	163 Filler flap lock motor

Astra 1995 to 1998 - Diagram 20

MTS
H32090

