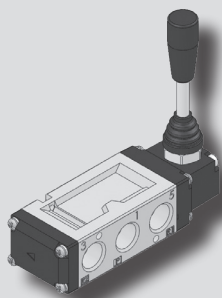
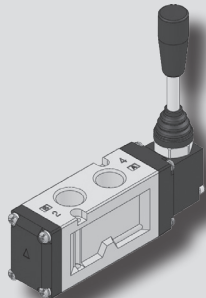


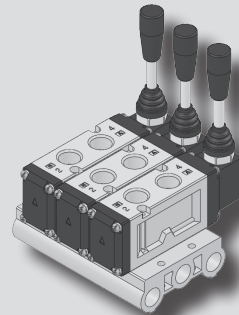
KHV530(V) series



KHV530H



KHV530H-V



KHV530H-V

* Manifold block(KMF3000-**) is sold separately

How to Order

KHV 530 H - V

① ② ③

① Port type

Nil	Rc(PT) (Standard)
G	G

③ Lever position

Nil	Horizontal
V	Vertical

② Function

Function	Symbol
S Single acting	
D Double acting	

SPRING RETURN TYPE		DETENT TYPE	
Function	Symbol	Function	Symbol
H Closed center		HD Closed center	
I Pressure center		ID Pressure center	
J Exhaust center		JD Exhaust center	

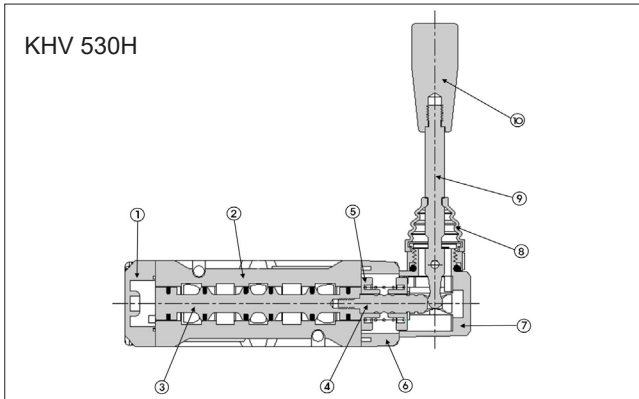
Specifications

Type	S	D	H/ I/ J
Fluid	Air, Inert gas		
Port size	Rc(PT) 3/8, G 3/8		
Effective sectional area Smm ² (Cv)	45mm ² (2.5)		38mm ² (2.1)
Operating pressure	0~9kgf/cm ² (0~0.9MPa)		
Lubrication	Not required		
Ambient & fluid temperature	5℃ ~ 60℃		
Applicable cylinder	ø32~ø125		
Weight	470g		

Features

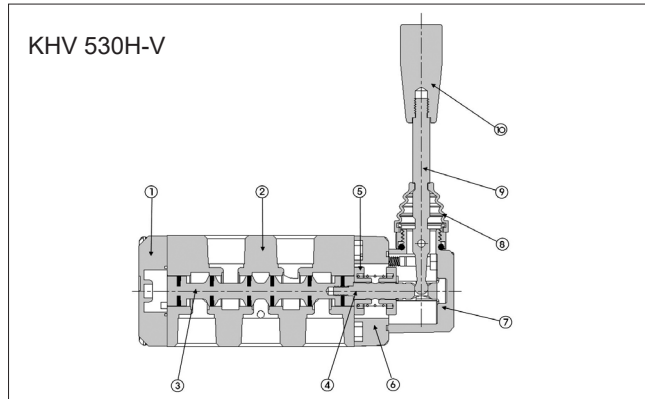
- Excellent durability with its non-lubricated type.
- Large capacity valve can be used for large actuator.
- Easy to install if horizontal type(KHV) or Vertical type(KHV(V)) is selected depending on installation direction.

Structure

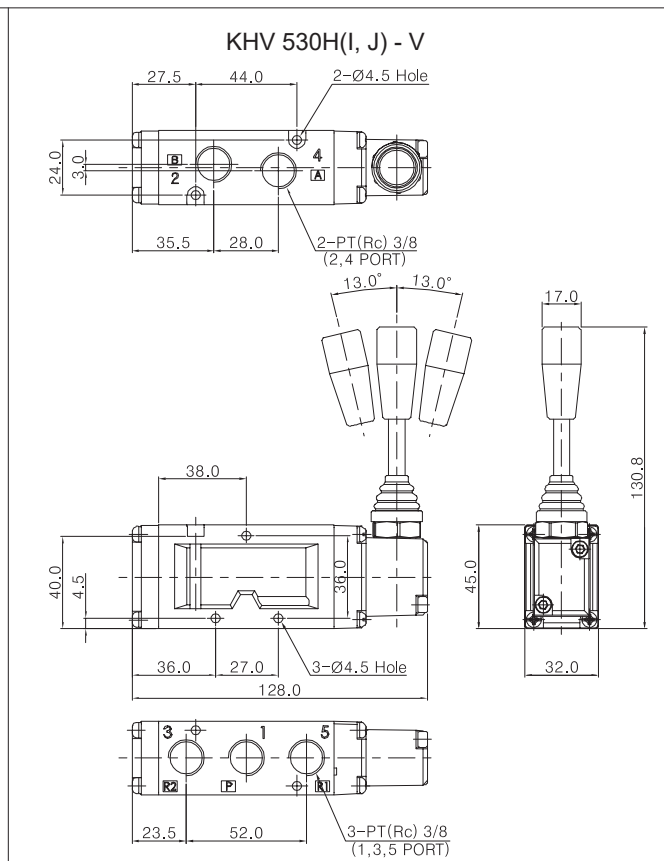
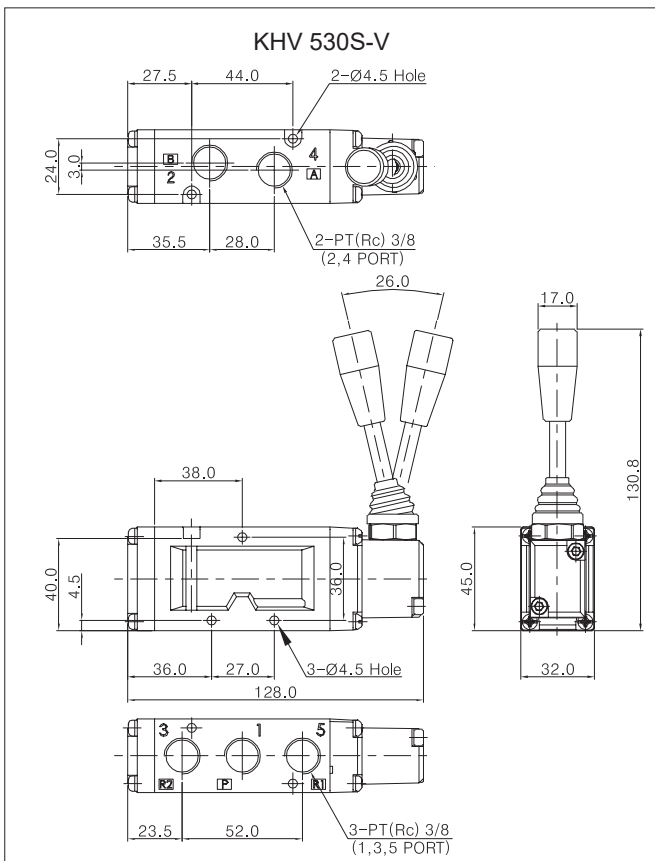


Part no.	Parts	Material
1	Cover	Metal
2	Body	AL D/C
3	Spool Ass'y	AL & Others
4	Joint	Stainless Steel
5	Guide	Plastic Resin
6	Pilot	Zn D/C
7	Block	Zn D/C
8	Block Packing	NBR
9	Lever	Stainless Steel
10	Grip	AL

Structure

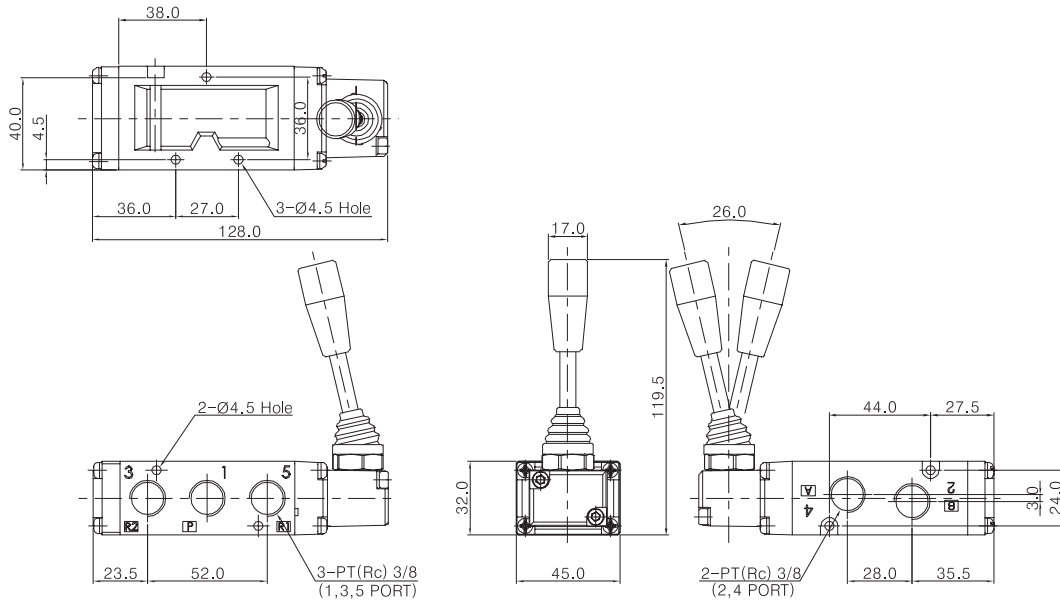


Dimensions



Dimensions

KHV 530S



KHV 530H(I, J)

