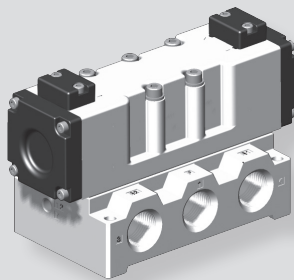
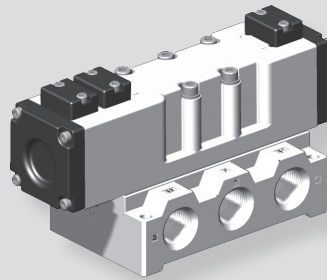


KAV760 series



KAV760S, D



KAV760H/I/J

How to Order

KAV 760 **S** - **15**

①

②

① Port type

Nil	Rc(PT) (Standard)
G	G

③ Port size

15	1/2
20	3/4

② Function

Function		Symbol
S	Single acting	
D	Double acting	
H	Close center	
I	Pressure center	
J	Exhaust center	

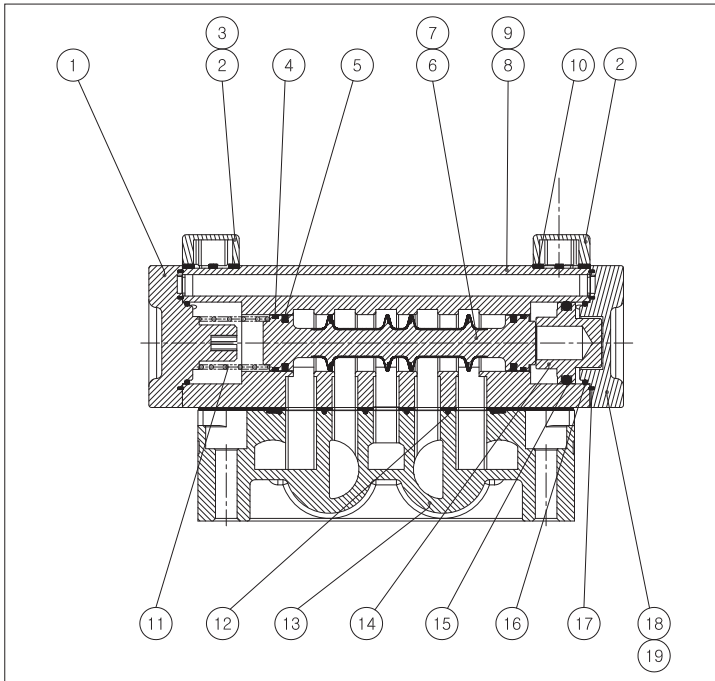
Specifications

Type	S / D		H / I / J	
Fluid	Air, Inert gas			
Port size Rc(PT), G	1/2	3/4	1/2	3/4
Effective sectional area Smm ² (Cv)	94 (5.1)	100 (5.4)	90 (4.9)	90 (4.9)
Operating pressure	1.5~10kgf/cm ² (0.15~1.0MPa)		2~10kgf/cm ² (0.2~1.0MPa)	
Pilot pressure	2~10kgf/cm ² (0.2~1MPa)			
Response time (at 0.5MPa)	≤200ms			
Lubrication	Not required (But, when refueling Turbine oil ISO VG32 or equivalent)			
Ambient & fluid temperature	5℃ ~60℃			

Features

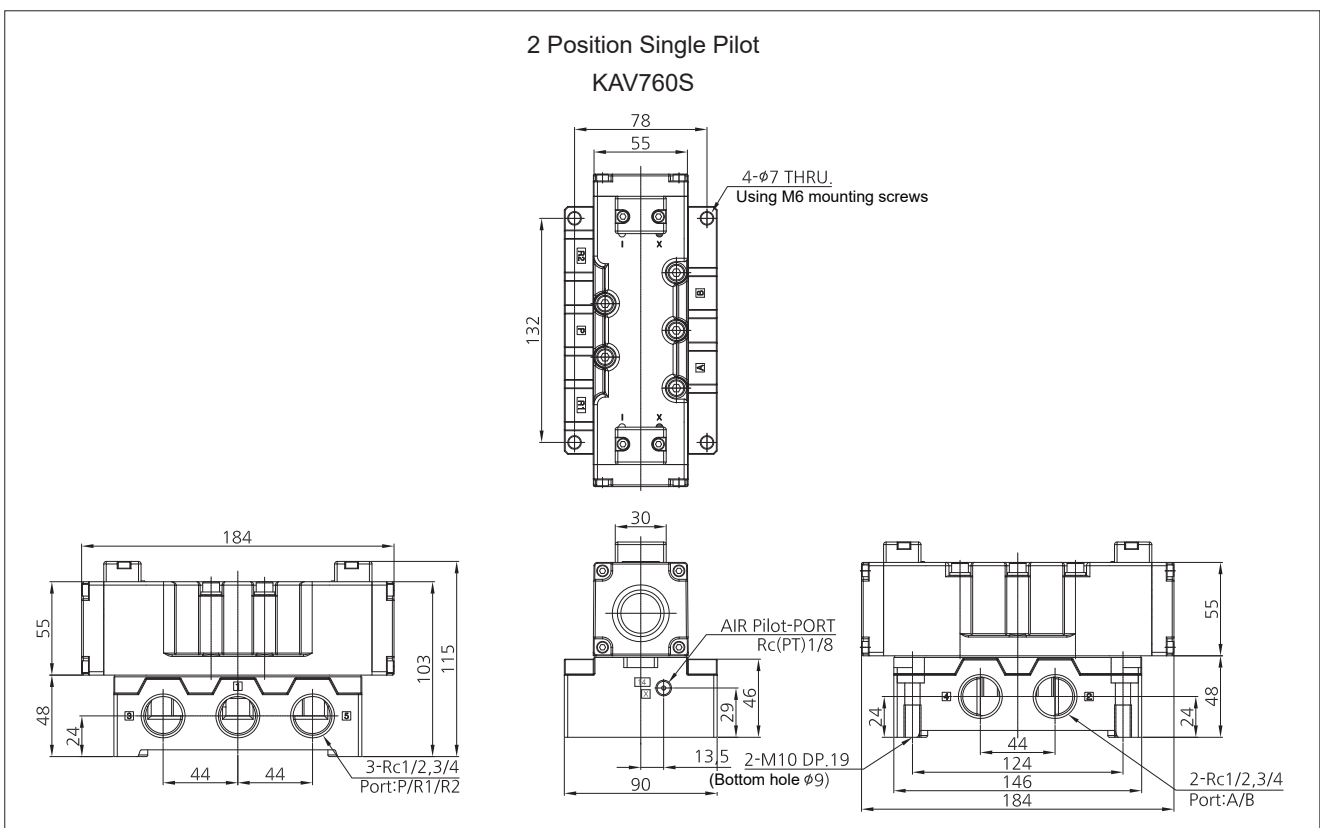
- Excellent durability with its non-lubricated type.
- Fast response with its low pressure pilot.
- Large capacity valve, suitable for large actuator.

Structures



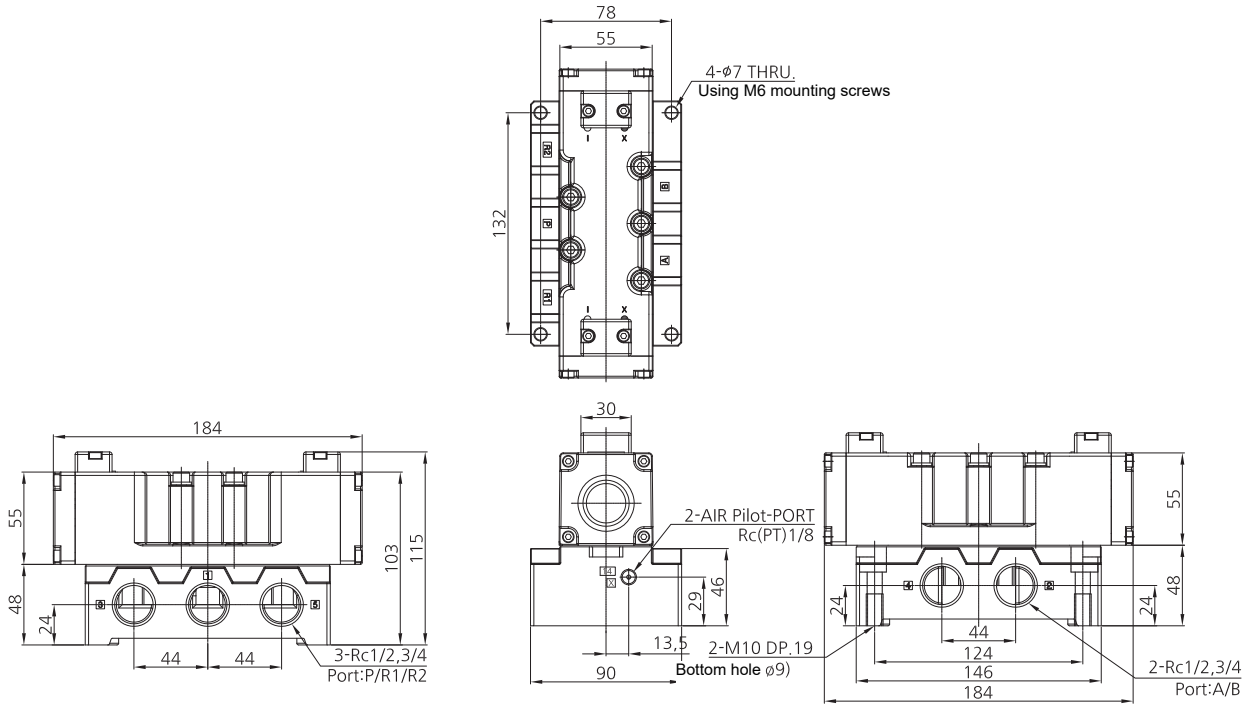
Part no.	Parts	Material
1	COVER-B	PLASTIC
2	CAP	PLASTIC
3	BOLT	STEEL
4	BACKUP RING	PLASTIC
5	PACKING	NBR
6	SPOOL(For S/D)	AL D/C
7	SPOOL MOLDING	NBR
8	BLOCK BODY	AL D/C
9	BOLT	STEEL
10	SEAT GASKET	NBR
11	SPOOL SPRING	SUS
12	BASE GASKET	NBR
13	BASE	AL D/C
14	PISTON	AL D/C
15	O-RING	NBR
16	O-RING	NBR
17	COVER GASKET	NBR
18	COVER-A	PLASTIC
19	BOLT	STEEL

Dimensions



Dimensions

**2 Position Double Pilot
KAV760D**



**3 Position Double Pilot
KAV760H(I,J)**

