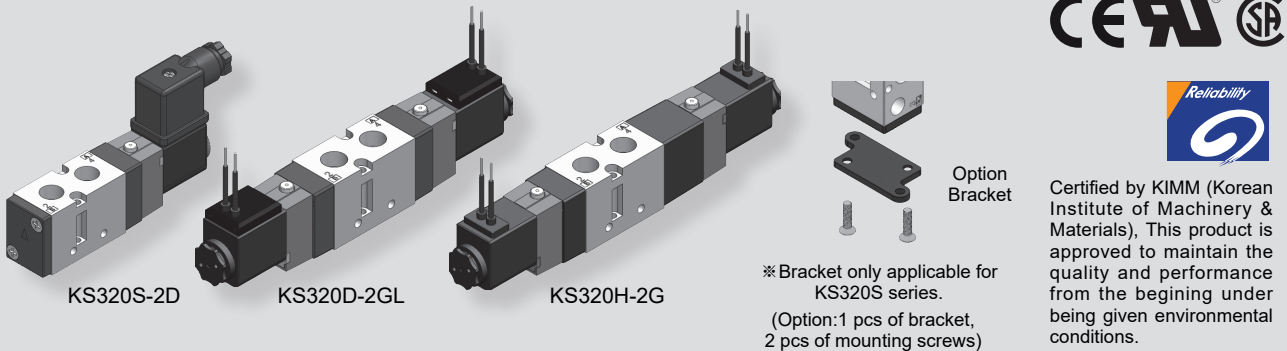


KS320 series



How to Order



① Port type

Nil	Rc(PT) (Standard)
G	G

② Function

Function	Symbol
S Single acting	
D Double acting	
H Closed center	
I Pressure center	
J Exhaust center	

③ O-Ring

Nil	Without O-Ring (Standard)
C	With O-Ring

④ Voltage

1	AC 100/110V 50/60Hz
2	AC 200/220V 50/60Hz
3	DC 24V
4	DC 12V

* Custom made with AC24V, AC48V, DC48V, DC100V is available.

⑥ Manual override

Nil	Manual button (Standard)
L	Lock

⑦ Option

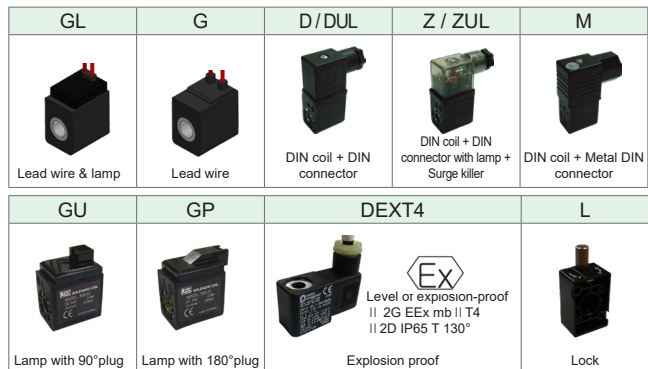
Nil	Without bracket
B	With bracket

⑤ Electrical connection

GL	Lead wire & lamp
G	Lead wire
D	DIN coil + DIN connector
DUL	DIN coil + DIN connector (UL, CSA Approval)
Z	DIN coil + DIN connector with lamp + Surge killer
ZUL	DIN coil + DIN connector with lamp + Surge killer (UL, CSA Approval)
GU	Lamp with 90° plug(400mm)
GP	Lamp with 180° plug(400mm)
DEXT4	Explosion proof
M	DIN coil + Metal DIN connector

Specifications

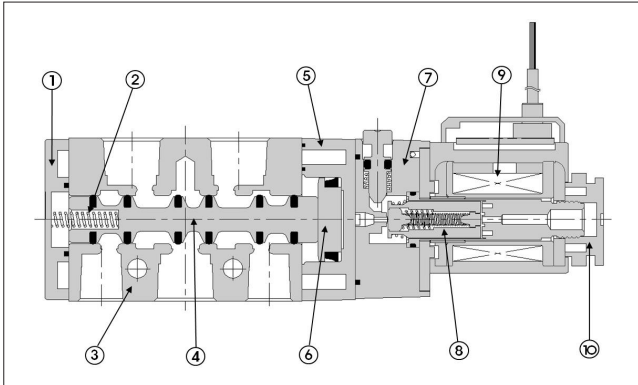
Type	S	D	H / I / J
Fluid	Air, Inert gas		
Port size	Rc(PT) 1/4, G 1/4		
Effective sectional area Smm ² (Cv)	19mm ² (1.0)		14mm ² (0.8)
Operating pressure	1.5~9kgf/cm ² (0.15~0.9MPa)		2~9kgf/cm ² (0.2~0.9MPa)
Max. operating frequency	5 cycle/sec		3 cycle/sec
Response time {at 5kgf/cm ² (0.5MPa)}	≤ 30ms		≤ 40ms
Lubrication	Not required (But, when lubricated Turbine oil ISO VG32 or equivalent)		
Manual override	Manual button (Standard), Lock		
Power consumption	DC	2.8W	
	AC	4.5/3.6VA (50/60Hz)	
Allowable voltage	±10% rated voltage		
Ambient & fluid temperature	5°C ~ 60°C		
Coil insulation	Class F		
Applicable cylinder	Ø32~Ø100		
Weight	250g	350g	450g



Features

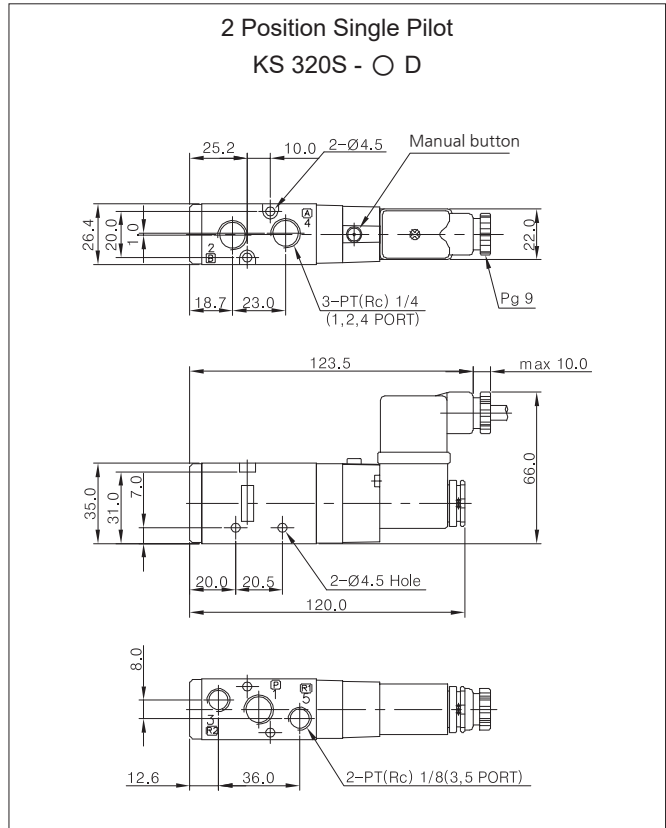
- Excellent durability with its non-lubricated type.
- Minimized installing area with its small size.
- Perfect for controlling system by PLC or computer with its low consuming current type.

Structure



Part no.	Parts	Material
1	Cover	Metal
2	Spool Spring	SUS
3	Body	AL D/C
4	Spool Ass'y	AL & Others
5	Pilot	Plastic Resin
6	Piston	Plastic Resin
7	Seat	Plastic Resin
8	Plunger	Stainless Steel
9	Coil Ass'y	CU & Others
10	Lock Nut	Plastic Resin

Dimensions



Dimensions

