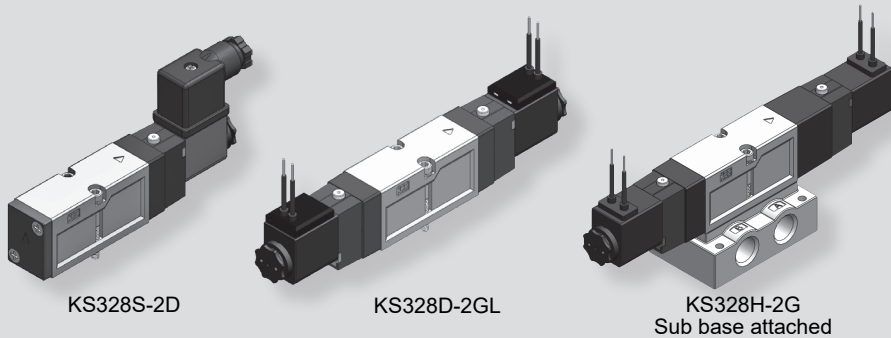
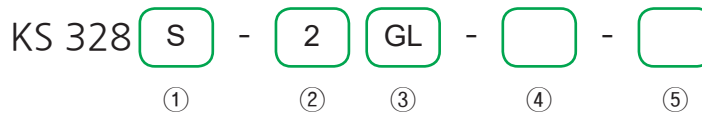


KS328 series



Certified by KIMM (Korean Institute of Machinery & Materials), This product is approved to maintain the quality and performance from the beginning under being given environmental conditions.

How to Order



① Function

Function	Symbol
S Single acting	
D Double acting	
H (Under development) Closed center	
I (Under development) Pressure center	
J (Under development) Exhaust center	

② Voltage

1	AC 100/110V 50/60Hz
2	AC 200/220V 50/60Hz
3	DC 24V
4	DC 12V

* Custom made with AC24V, AC48V, DC48V, DC100V is available.

③ Electrical connection

GL	Lead wire & lamp
G	Lead wire
D	DIN coil + DIN connector
DUL	DIN coil + DIN connector (UL, CSA Approval)
Z	DIN coil + DIN connector with lamp + Surge killer
ZUL	DIN coil + DIN connector with lamp + Surge killer (UL, CSA Approval)
GU	Lamp with 90° plug(400mm)
GP	Lamp with 180° plug(400mm)
DEXT4	Explosion proof
M	DIN coil + Metal DIN connector

④ Manual override

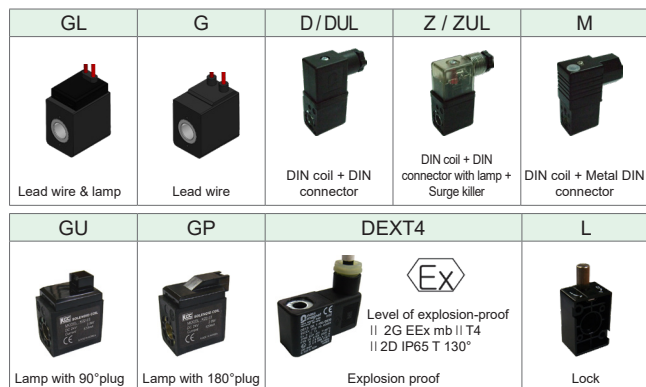
Nil	Manual button (Standard)
L	Lock

⑤ Option

Nil	Without sub base
B02	With sub base/ Port Rc(PT)1/4
B03	With sub base/ Port Rc(PT)3/8
G02	With sub base/ Port G1/4
G03	With sub base/ Port G3/8

Specifications

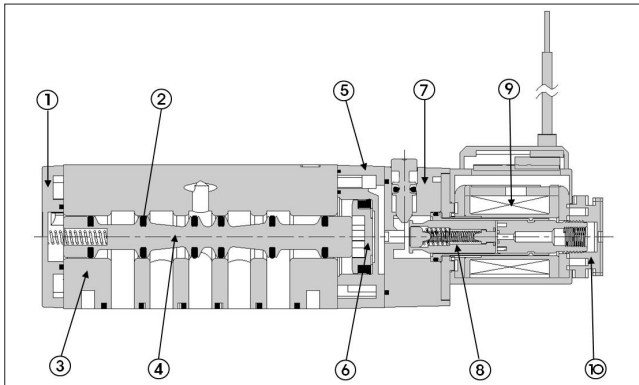
Type	S	D	H / I / J (Under development)
Fluid	Air, Inert gas		
Port size	Rc(PT) 1/4, 3/8, G 1/4, 3/8		
Effective sectional area Smm ² (Cv)	19mm ² (1.0)	14mm ² (0.8)	
Operating pressure	1.5~9kgf/cm ² (0.15~0.9MPa)	2~9kgf/cm ² (0.2~0.9MPa)	
Max. operating frequency	5 cycle/sec	3 cycle/sec	
Response time {at 5kgf/cm ² (0.5MPa)}	≤ 30ms		≤ 40ms
Lubrication	Not required (But, when lubricated Turbine oil ISO VG32 or equivalent)		
Manual override	Manual button (Standard), Lock		
Power consumption	DC	2.8W	
	AC	4.5/3.6VA (50/60Hz)	
Allowable voltage	±10% rated voltage		
Ambient & fluid temperature	5°C ~ 60°C		
Coil insulation	Class F		
Applicable cylinder	Ø32 ~ Ø100		
Weight	400g	500g	600g



Features

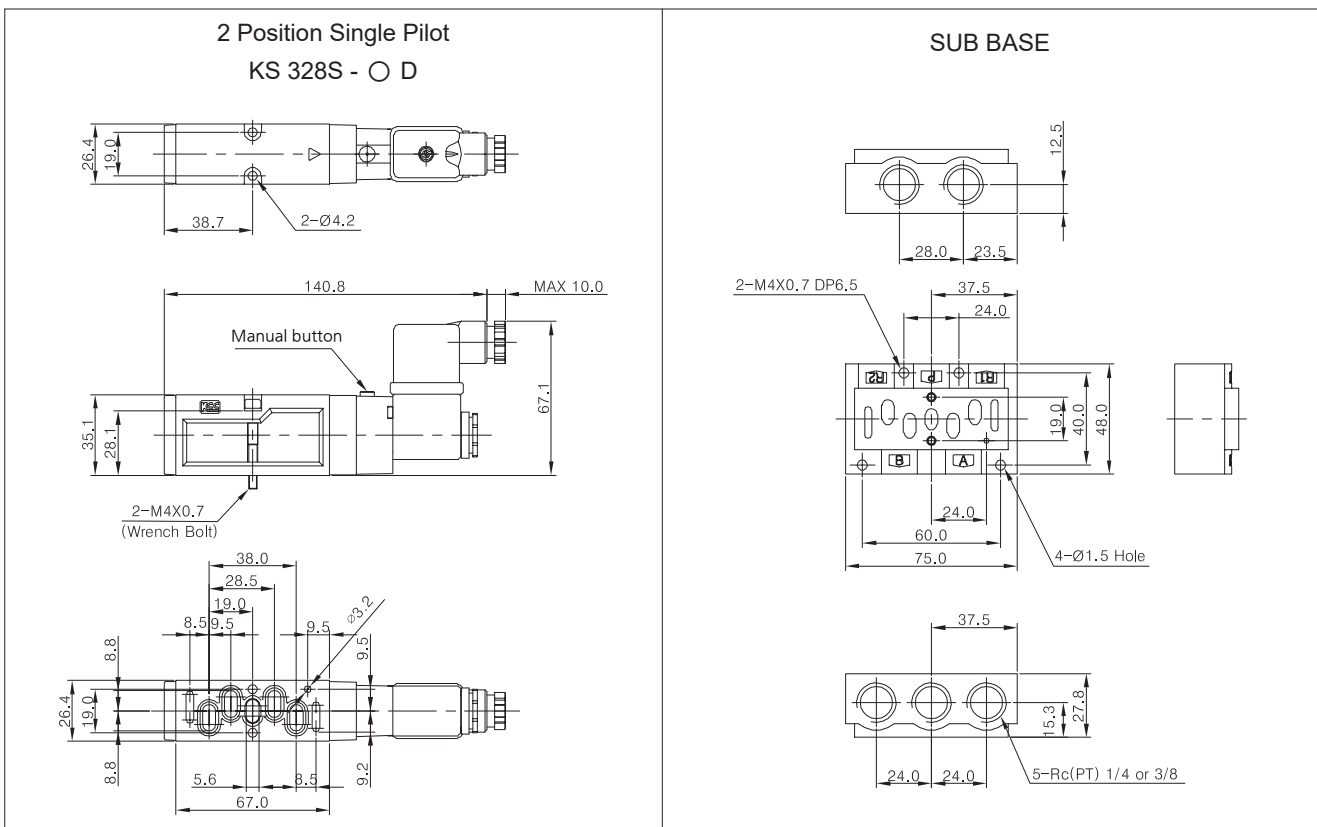
- Excellent durability with its non-lubricated type.
- Minimized installing area with its small size.
- Perfect for controlling system by PLC or computer with its low consuming current type.

Structure



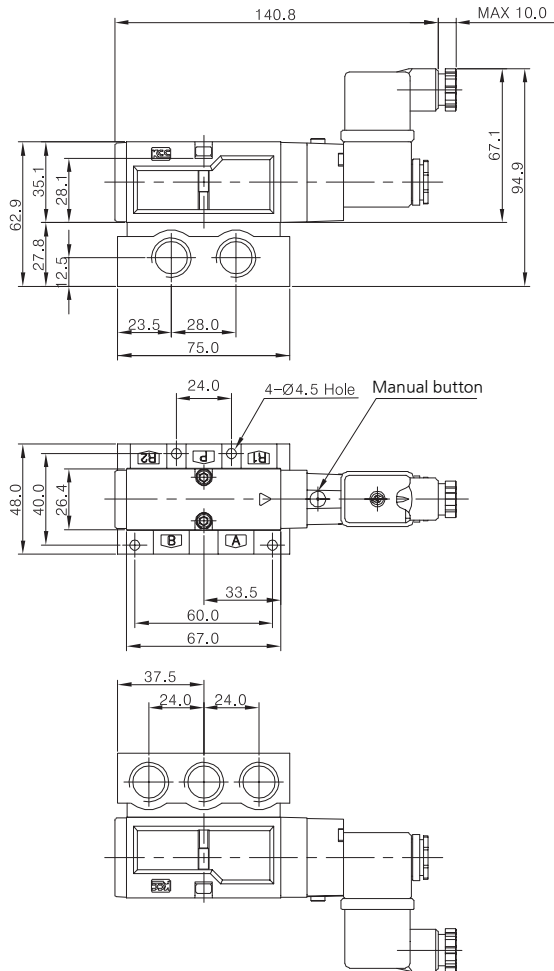
Part no.	Parts	Material
1	Cover	Metal
2	Spool Spring	SUS
3	Body	AL D/C
4	Spool Ass'y	AL & Others
5	Pilot	Metal
6	Piston	Plastic Resin
7	Seat	Plastic Resin
8	Plunger	Stainless Steel
9	Coil Ass'y	CU & Others
10	Lock Nut	Plastic Resin

Dimensions

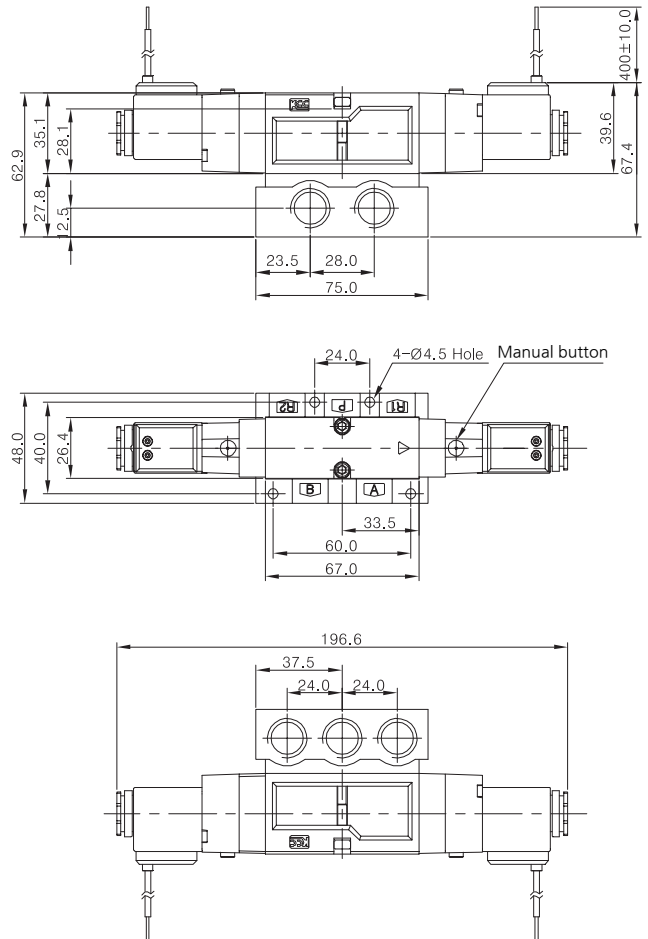


Dimensions

Base Attached 2 Position Single Pilot
KS 328S - ○ D - B03



2 Position Double Pilot
KS 328D - ○ GL - ○ - B03



Dimensions

