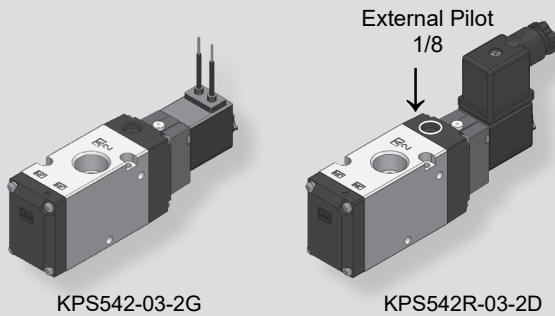


# KPS542 series



### External Pilot

Use external pilot type in the following cases.

- For vacuum, low pressure 0.2MPa or less.
- Consult us when using in a vacuum holding condition.
- When having P port downsized in diameter.
- When using A port as the atmospheric releasing port, e.g. air blower

### How to Order



#### ① Port type

Nil	Rc(PT) (Standard)
G	G

#### ② Function

Function	Symbol
Nil	N.C
O	N.O
R	External pilot (Vacuum)

#### ③ Port size

03	Rc(PT) 3/8 (Standard)
----	-----------------------

#### ④ Voltage

1	AC 100/110V 50/60Hz
2	AC 200/220V 50/60Hz
3	DC 24V
4	DC 12V

※ Custom made with AC24V, AC48V, DC48V, DC100V is available.

#### ⑥ Manual override

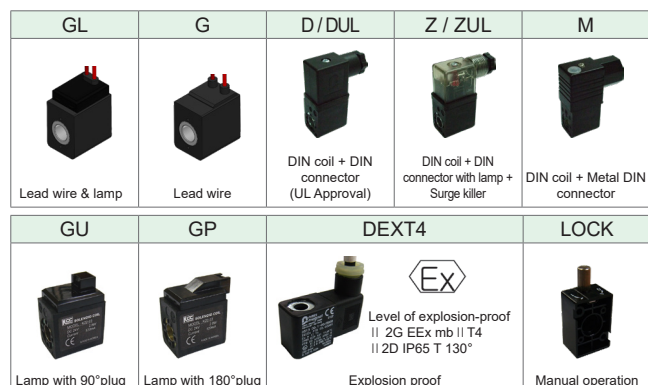
Nil	Non-locking push type (Standard)
L	Locking type

#### ⑤ Electrical connection

GL	Lead wire & lamp
G	Lead wire
D	DIN coil + DIN connector
DUL	DIN coil + DIN connector (UL, CSA Approval)
Z	DIN coil + DIN connector with lamp + Surge Killer
ZUL	DIN coil + DIN connector with lamp + Surge Killer (UL, CSA Approval)
GU	Lamp with 90°plug(400mm)
GP	Lamp with 180°plug(400mm)
DEXT4	Explosion proof
M	DIN coil + Metal DIN connector

### Specifications

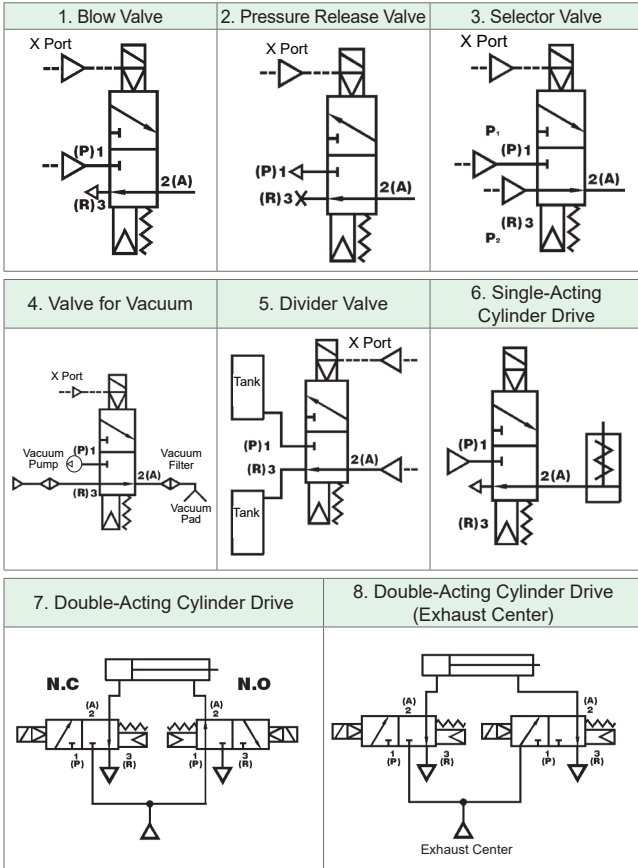
Fluid	Air, Inert gas	
Port size	Rc(PT) 3/8, G 3/8	
Effective sectional area Smm <sup>2</sup> (Cv)	45 (2.4)	
Pilot type	Internal pilot	External pilot
Operating pressure	2.0~8.0kgf/cm <sup>2</sup> (0.2~0.8MPa)	Supply pressure -1.0~8.0kgf/cm <sup>2</sup> (-0.1~0.8MPa)
		External pilot pressure Same as operating pressure (Min. 2kgf/cm <sup>2</sup> 0.2MPa)
Max. operating frequency	5 cycle/sec	
Response time (at 0.5MPa)	≤ 30ms	
Lubrication	Not required (But, when refueling Turbine ISO VG32 or equivalent)	
Manual override	Non-locking push type (Standard), Locking type	
Power consumption	DC	2.8W
	AC	4.5/3.6 VA (50/60Hz)
Allowable voltage	±10% rated voltage	
Ambient & fluid temperature	5℃~60℃	
Coil insulation	Class F	
Applicable cylinder	ø32~ø125	
Weight	266g	



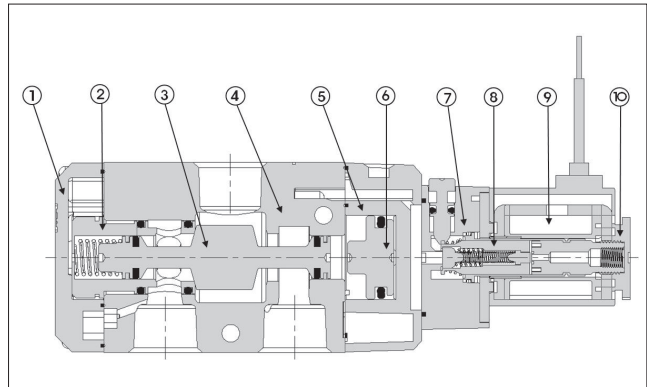
### Features

- Excellent durability with its non-lubricated type.
- A single valve with 6 valve functions. (Universal porting type)
- With the structure of a valve preventing fixation and resistant to dust it operates perfectly.
- Perfect for controlling system by PLC or computer with its low consuming current type.

**Applications**



**Structure**



Part no.	Parts	Material
1	Cover	Plastic Resin
2	Spool Spring Seat	Brass
3	Spool Ass'y	AL & Others
4	Body	AL D/C
5	Pilot	Plastic Resin
6	Piston	Plastic Resin
7	Seat	Plastic Resin
8	Plunger	Stainless Steel
9	Coil Ass'y	CU & Others
10	Lock Nut	Plastic Resin

**Dimensions**

