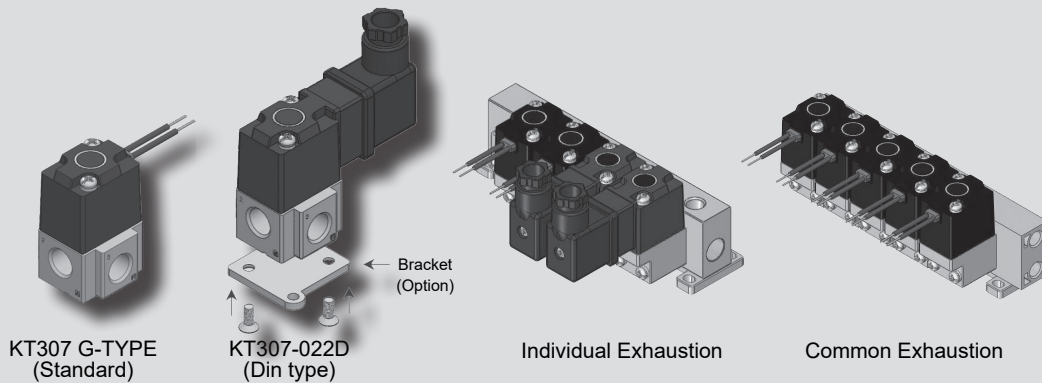


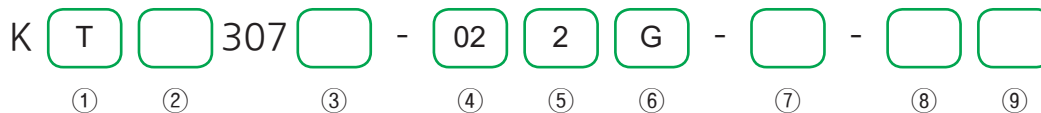
KT307 series



Certified by KIMM (Korean Institute of Machinery & Materials), This product is approved to maintain the quality and performance from the beginning under being given environmental conditions.



How to Order



① Type

T	Direct attach type
O	Manifold block attached type

② Port type

Nil	Rc(PT) (Standard)
G	G

③ Function

Function	Symbol	Function	Symbol
Nil		V	
V	N.C 		
	N.O 	Air + Vacuum 1Port - Air 3Port - Vacuum 	

④ Port size

01	Rc(PT) 1/8
02	Rc(PT) 1/4

⑤ Voltage

1	AC 100/110V 50/60Hz
2	AC 200/220V 50/60Hz
3	DC 24V
4	DC 12V

⑥ Electrical entry

G	(Standard) Lead wire - ≥ 300mm
D	DIN type

* Different wire length is available upon request.

⑦ Option

Nil	Without mounting bracket
B	With mounting bracket

⑧ Number of valves on manifold block

02	2 pcs
03	3 pcs
~	~
19	19 pcs
20	20 pcs

* Only for KO series.

⑨ Exhaust port

2	Common exhaust port
3	Individual exhaust port

* Only for KO series.

Specifications

Fluid	Air, Vacuum, Inert gas	Manual Override	Manual button
Port size	Rc(PT) 1/8, 1/4, G1/8, 1/4	Power consumption	DC
Effective sectional area Smm ² (Cv)	KT307: 3.2mm ² (0.18) / KO307: 1.8mm ² (0.098)		AC
Operating pressure	Air	Allowable voltage	±10% rated voltage
	Vacuum	Ambient temperature	-10℃~50℃
Max. operating frequency	10 cycle/sec	Fluid temperature	5℃~80℃
Response time {at 5kgf/cm ² (0.5MPa)}	≤ 20ms	Coil insulation	Class F
Lubrication	Not required (But, when lubricated Turbine oil ISO VG32 or equivalent)	Weight	162g

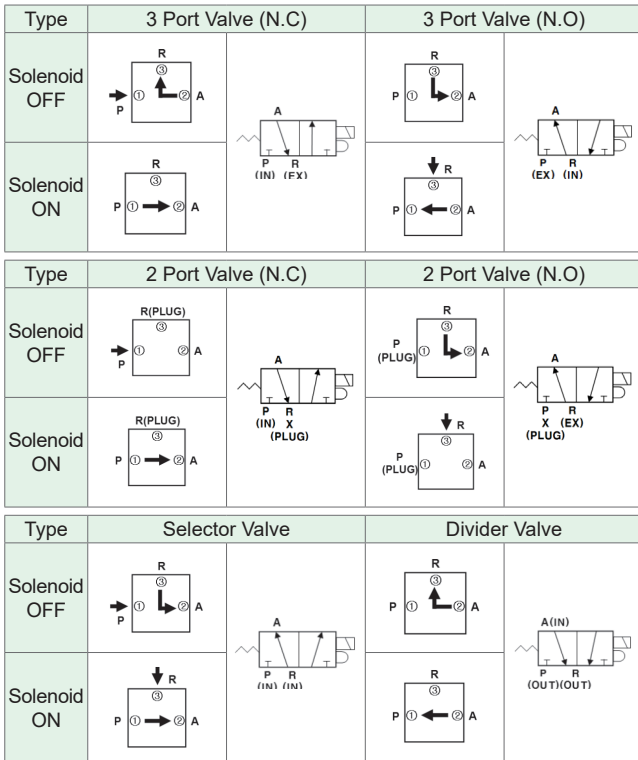
* After operation for a long time, it may exceed the value listed.

Features

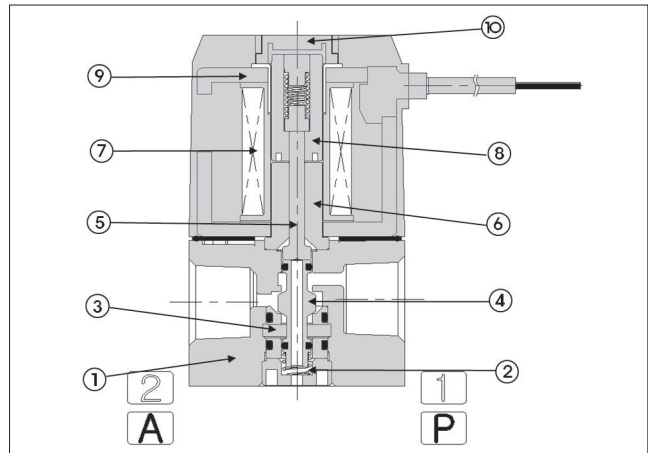
- A single valve with 6 valve functions. (Universal porting type)
- Continuous high frequency operation available. (Max.10C/S)
- Burn proof structure, long service life.
- With the structure of a valve preventing fixation and resistant to dust, it operates perfectly.

Solenoid Valve(3 Port Poppet/Universal Port)

Applications

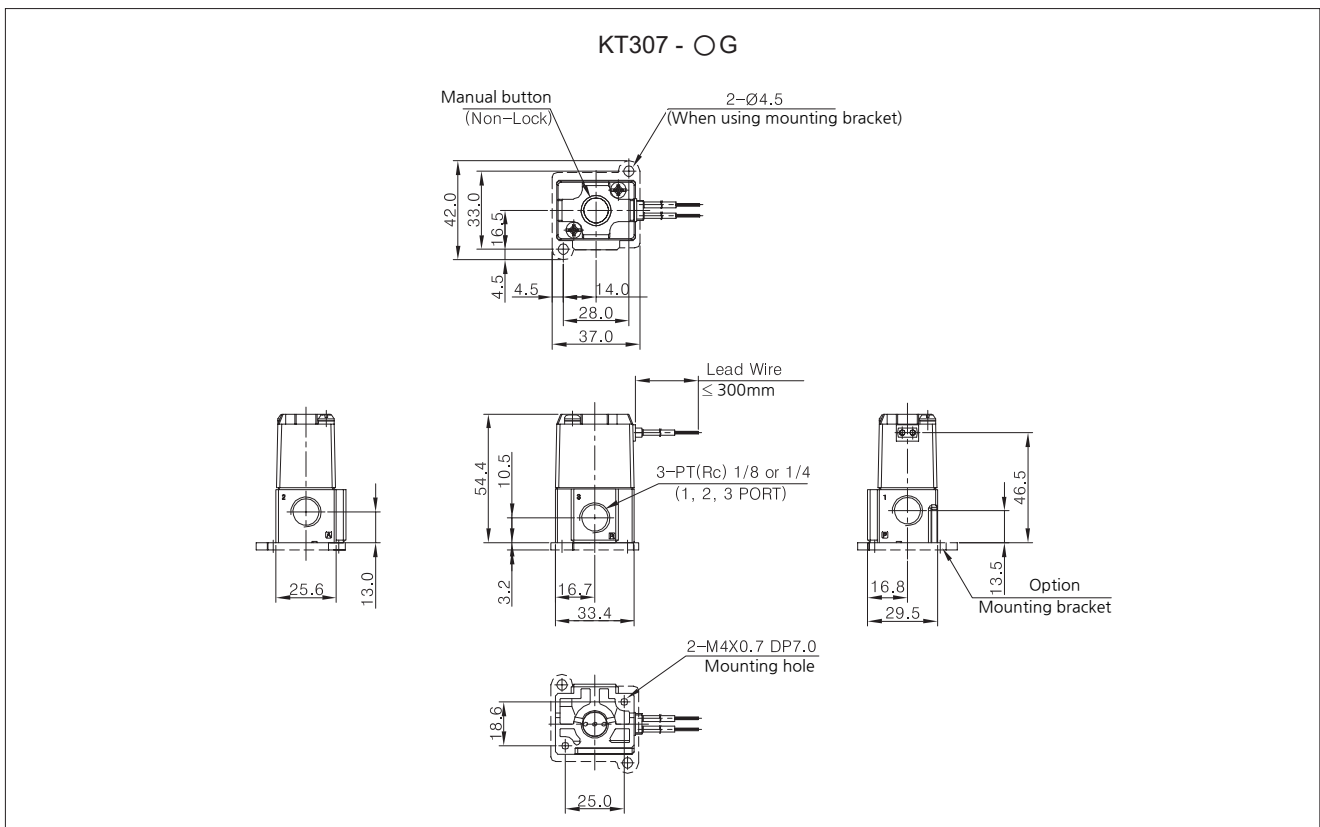


Structure

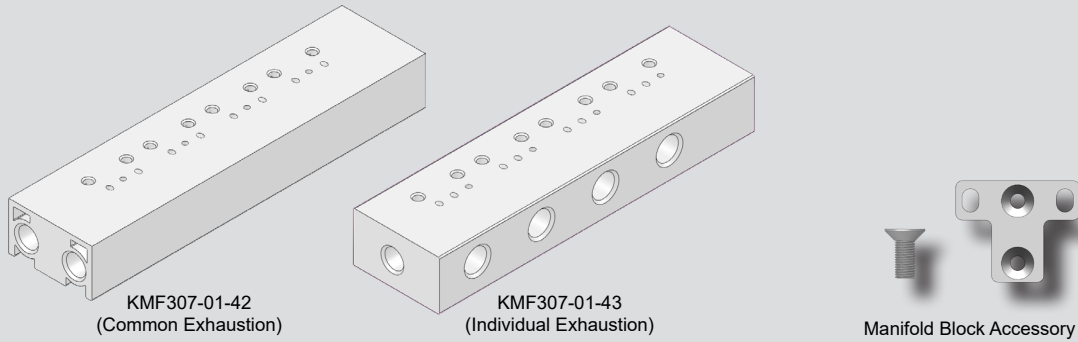


Part no.	Parts	Material
1	Body	AL D/C
2	Spool Spring	SUS
3	Seat	Metal
4	Spool Ass'y	AL & Others
5	Stopper Pin	Stainless Steel
6	Stopper	Stainless Steel
7	Coil Ass'y	CU & Others
8	Plunger	Stainless Steel
9	Yoke	SPC
10	Button	Synthetic Rubber

Dimensions



KMF307 Manifold Block



How to Order

KMF307 - ① - ② - ③ - ④

① Series

KMF307	3 port manifold block for KO307 series	Rc(PT) (Standard)
KMFG307		G

③ Station

2	2 Stations	6	6 Stations	10	10 Stations
3	3 Stations	7	7 Stations	11	11 Stations
4	4 Stations	8	8 Stations	12	12 Stations
5	5 Stations	9	9 Stations		

② Port size

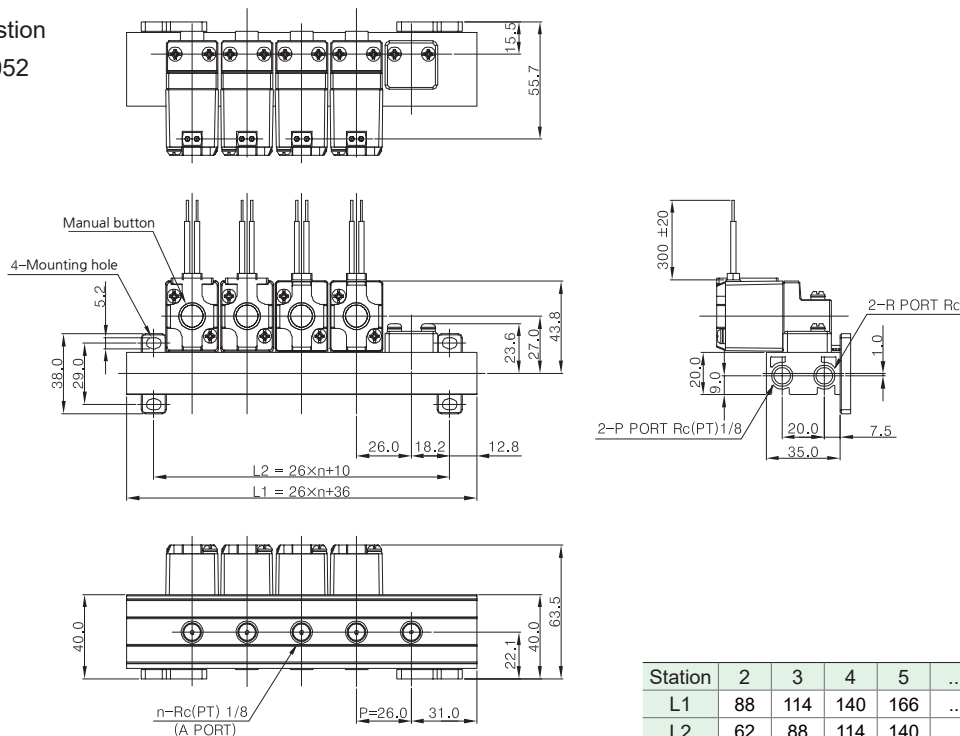
01	1/8 (Only Common Exhaustion)
02	1/4 (Only Individual Exhaustion)

④ Exhaust port

2	Common exhaust port
3	Individual exhaust port

Dimensions

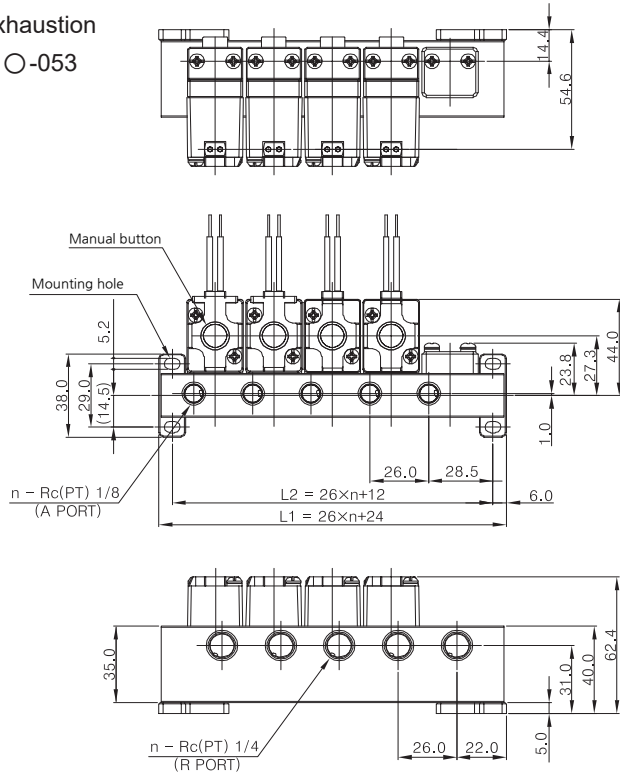
Common Exhaustion
KO307-○○-052



Station	2	3	4	5	...	19	20
L1	88	114	140	166	...	530	556
L2	62	88	114	140	...	504	530

Dimensions

Individual Exhaustion
KO307-○○-053



Station	2	3	4	5	...	19	20
L1	76	102	128	154	...	518	544
L2	64	90	116	142	...	506	532