

# KSX8000 series



KSX8101-A10



KOREA GAS SAFETY CORPORATION

## How to order

KSX   - 81 01 - A 04 - 1T

①
②
③
④
⑤
⑥

### ① Thread type

Nil	Rc(PT) (Standard)
N	NPT
G	G

### ② Valve type

81	N/C(Normally closed)
82	N/O( Normally open)

### ③ Special specifications

01	Standard
02	2 Special specification
03	3 Special specification

### ④ Body type

A	Standard
B	2 Special specification
C	3 Special specification

### ⑤ Port size

Code	Port size	Coil
03	3/8	EPC-14 [Ø14]
04	1/2	
06	3/4	
10	1	EPC-16 [Ø16]
12	1 1/4	
14	1 1/2	
20	2	

### ⑥ Voltage

1T	AC110V 60Hz
2T	AC220V 60Hz
3T	DC24V
4T	DC12V
8T	DC120V

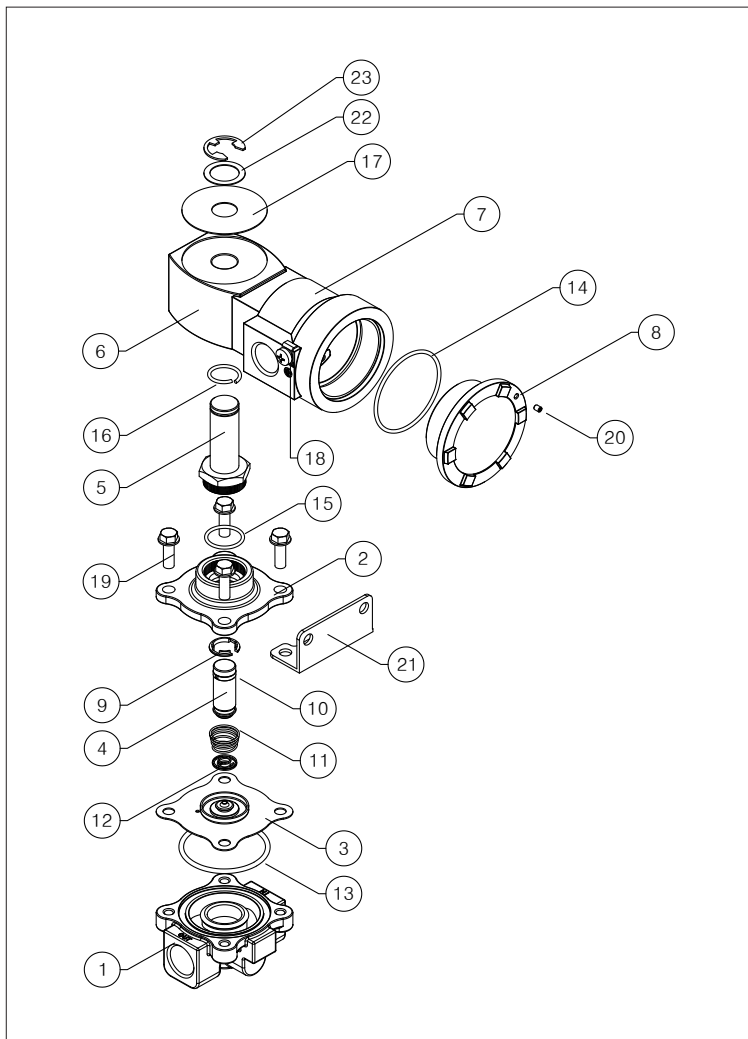
### Features

- Flameproof enclosure and encapsulation(EX d mb IIC T4).
- Non-lubrication diaphragm.
- Compact and light with high flow rate.
- Wiring direction can be easily change.
- No minimum operating differential pressure required for operation.

**Specifications**

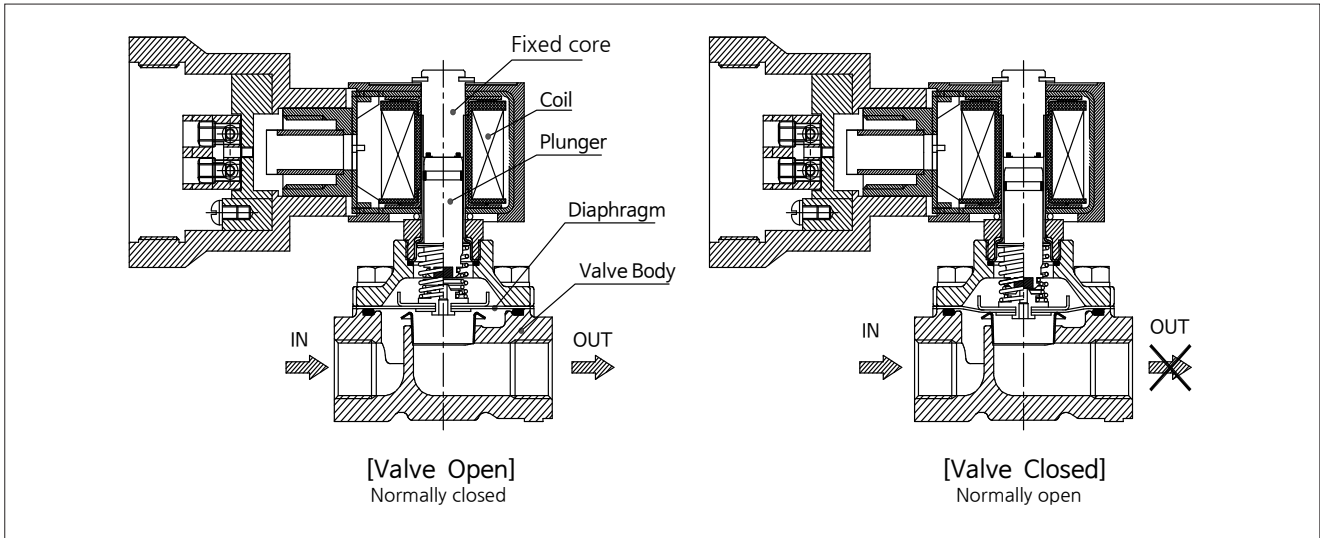
Code / Model	KSX*-8101-A*****						
	A03	A04	A06	A10	A12	A14	A20
Fluid	AIR or GAS(LNG, LPG)						
Port size	Rc(PT)3/8	Rc(PT)1/2	Rc(PT)3/4	Rc(PT)1	Rc(PT)1 1/4	Rc(PT)1 1/2	Rc(PT)2
	Option: NPT, G(PF)						
Coil	EPC-14(Ø14)			EPC-16(Ø16)			
	AC: 3.4bar, DC: 1.7bar			AC/DC: 1.7bar			AC:1.7bar DC: 1.0bar
Operating pressure	No minimum operating differential pressure required for operation(minimum differential pressure = 0MPa)						
Max. Fluid temperature	AC: 50℃, DC: 40℃						
Ambient temperature	AC: 0~50℃, DC: 0~40℃(No freezing)						
Ambient humidity	Below RH 85%						
Lubrication	Non-lubrication						
Voltage	AC110V/220V 60Hz, DC12V/24V/120V						
Power consumption	AC: 10.1W, DC: 11.6W			AC: 15.4W, DC:14.9W			
Coil insulation	AC/DC : Class F(Class H: Option)						
Electric port	G(PF) 1/2(Cable Gland connection type)						
Explosion proof identification	Ex d mb IIC T4						
Effective sectional area Cv(Kv)	3.4(2.9)	4.4(3.8)	5.1(4.4)	21(18)	32(27)	35(30)	60(51)
Material	Body: Aluminium, Seal: NBR						

**Part drawing**

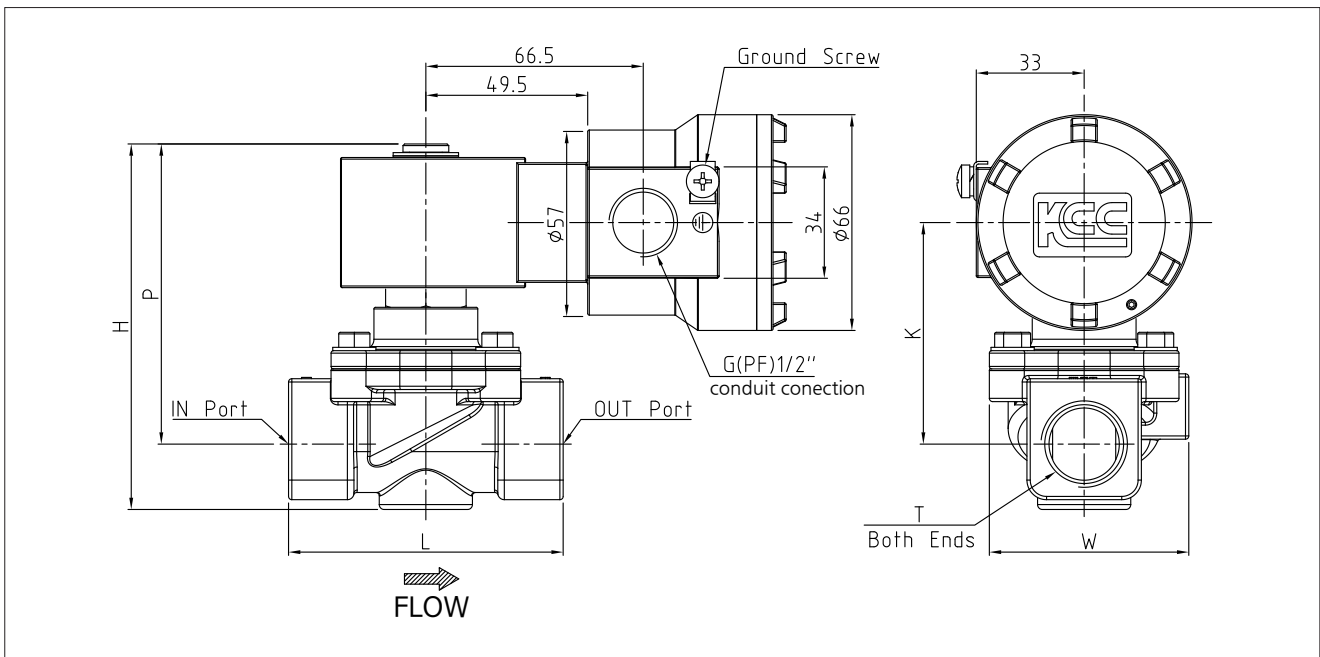


No	Parts
1	Valve Body
2	Valve Cover
3	Diaphragm Ass'y
4	Plunger
5	Plunger Guide Ass'y
6	Molding Coil
7	Junction Box
8	Junction Box Cover
9	Spring Supporter
10	Rider Ring
11	Plunger Spring
12	Hanger Spring
13	Body O-Ring
14	Cover O-Ring
15	Plunger Guide O-Ring
16	Tension Ring
17	Name Plate
18	Ground Screw
19	Valve Cover Bolt
20	Fixing Bolt
21	Bracket(Optional)
22	Ring Washer
23	Sanp-Ring

Structure

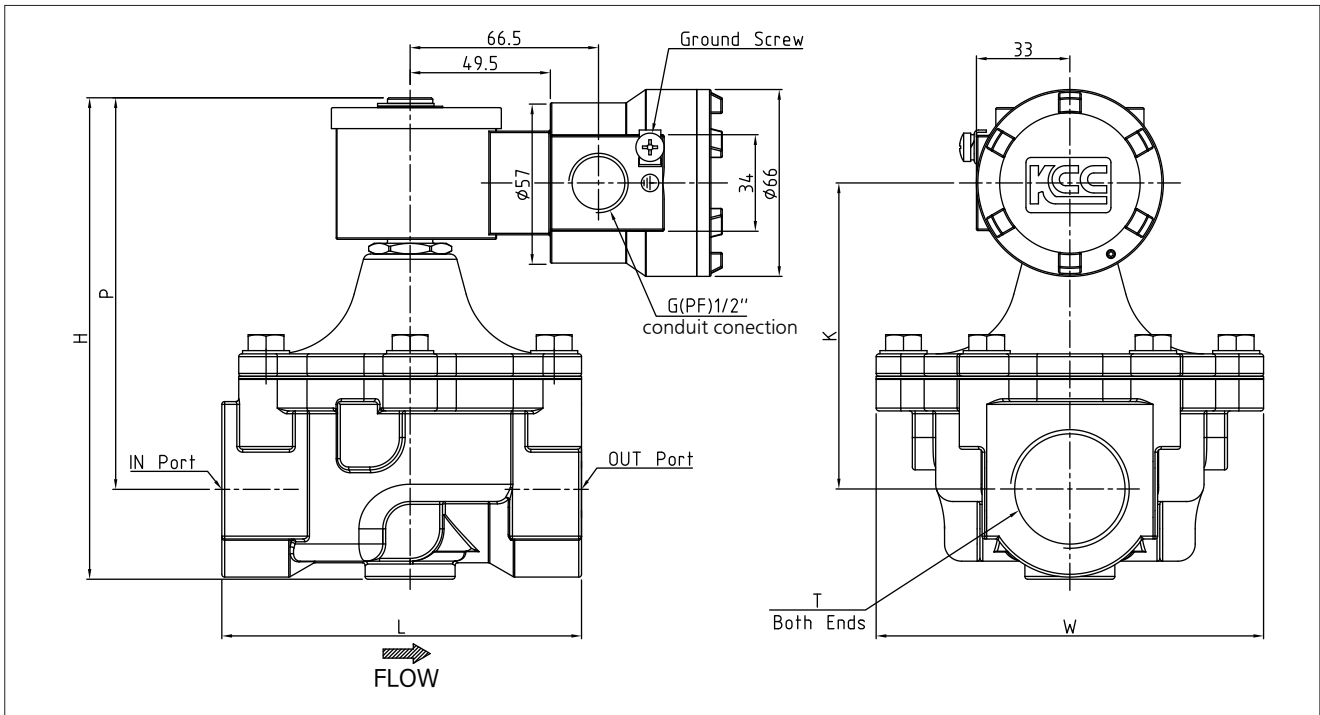


Dimension



Model	H	K	L	P	W	T
KSX-8101-A03	102	63	70	88	63	Rc(PT)3/8
KSX-8101-A04						Rc(PT)1/2
KSX-8101-A06	113	68	84	92	59	Rc(PT)3/4

Dimension



Model	H	K	L	P	W	T
KSX-8101-A10	173	108	127	142	137	Rc(PT) 1
KSX-8101-A12						Rc(PT) 1 1/4
KSX-8101-A14						Rc(PT) 1 1/2
KSX-8101-A20	190	115	155	151	160	Rc(PT) 2