

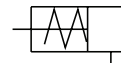
# AJP series



### Features

- Short-stroke cylinder designed with a shorter overall length than a conventional cylinder.
- Space saving pin cylinder for panel mounting. It miniaturizes the size of mechanical devices.

### Symbol



Single Acting / Spring Return

## How to Order

AJP - B 10 - 15   -  

①                      ②                      ③                      ④                      ⑤

### ① Series

AJP	Mini pin cylinder
-----	-------------------

### ② Bore size

6	6mm
10	10mm
15	15mm

### ③ Cylinder stroke

5	5mm
10	10mm
15	15mm

### ④ Rod end thread

Nil	With thread
B	Without thread

### ⑤ Hose nipple (Option)

Nil	None (Standard)
H4	For tube Ø4-2.5
H6	For tube Ø6-4

## Specifications

Action	Single acting spring return	
Fluid	Air	
Proof pressure	9.9kgf/cm <sup>2</sup> (1.0MPa)	
Max. operating pressure	6.9kgf/cm <sup>2</sup> (0.7MPa)	
Min. operating pressure	Ø6	2kgf/cm <sup>2</sup> (0.2MPa)
	Ø10, Ø15	1.5kgf/cm <sup>2</sup> (0.15MPa)
Ambient & fluid temperature	-10 °C ~ 70 °C	
Operating piston speed	50~500mm/s	
Cushion	None	
Lubrication	Not required (When refueling, turbine oil ISO VG32 or equivalent)	
Tolerance of stroke	+1.0	
	0	
Tolerance of thread	KS class 2	
With or without rod end screw	With / without	
Mounting style	Panel mounting	
Accessory	Mounting nut 2 pcs	
	* Rod end nut 2 pcs (Rod end thread type)	

\* If there is a rod end screw

## Mass

Unit :g

Model	Stroke (mm)		
	5	10	15
AJP-B6	10.6	13.1	15.6
AJP-B10	28	33	38
AJP-B15	72	82	92

\* Weight of hose nipple (4g) is not included.

## Spring Retracting Force

Unit :N

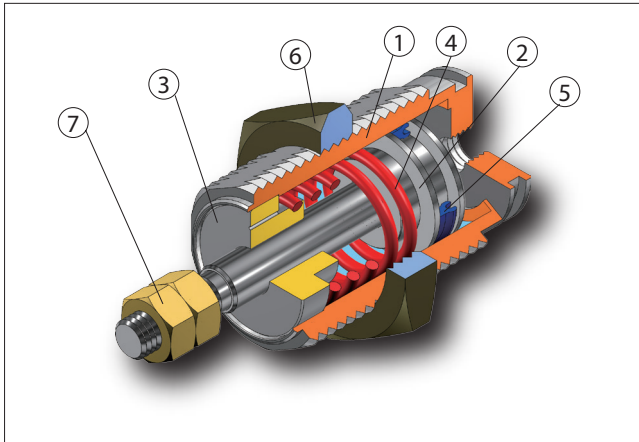
Bore size	Stroke (mm)	0 Stroke	Stroke end
Ø6	5, 10, 15	3.92	1.47
Ø10	5, 10, 15	5.98	2.45
Ø15	5, 10, 15	10.79	4.41

\* Same spring force for all stroke.

## Hose Nipple For Panel Mount Style

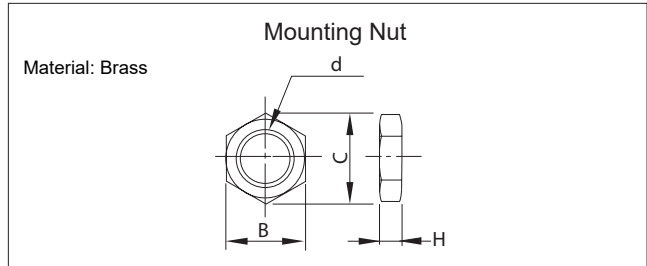
Applicable tube size	Model
Ø4-2.5	N4M5
Ø6-4	N6M5

**Structure**



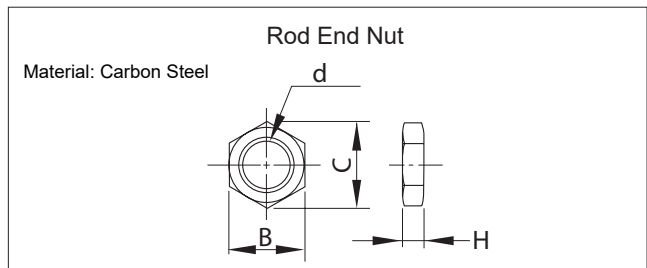
Part no.	Parts	Material	Remark
1	Cover	Brass	Electroless Nickel Plating
2	Piston	Stainless Steel	-
3	Collar	Sintered Metal	Bronze
4	Return Spring	Steel Wire	Zinc Chromate
5	Piston Packing	NBR	-
6	Mounting Nut	Brass	Electroless Nickel Plating
7	Rod End Nut	Steel	Nikel Plating

**Dimensions-Accessory**



Unit : mm

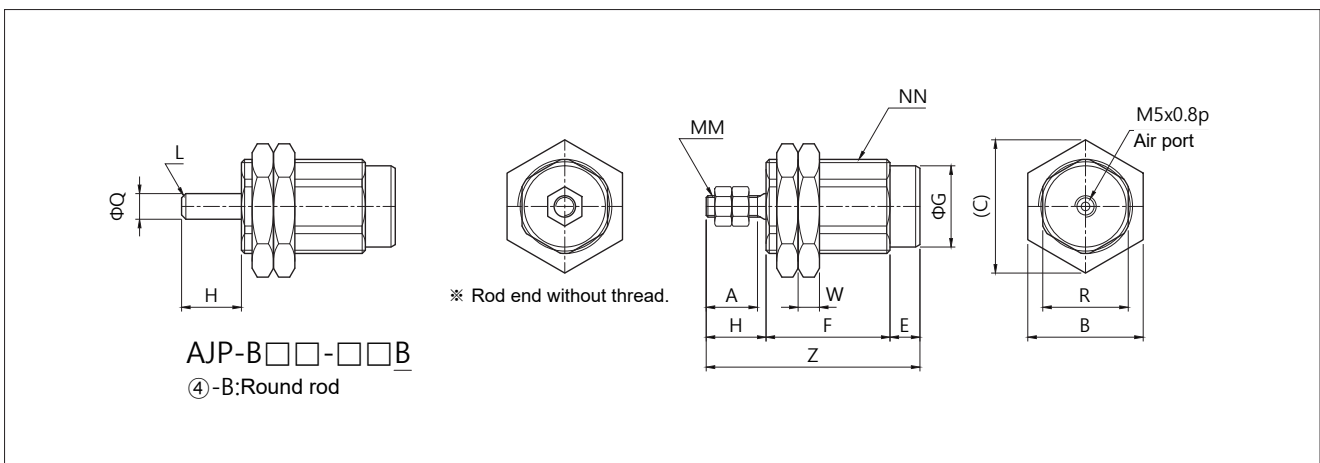
Part no.	Applicable bore size	d	H	B	C
AJP-SN06	Ø6	M10×1.0	3	12	13.9
AJP-SN10	Ø10	M15×1.5	4	19	22
AJP-SN15	Ø15	M22×1.5	5	27	31



Unit : mm

Part no.	Applicable bore size	d	H	B	C
AJP-RN06	Ø6	M3×0.5	2.4	5.5	6.4
AJP-RN10	Ø10	M4×0.7	3.2	7	8.1
AJP-RN15	Ø15	M5×0.8	4	8	9.2

**Dimensions**



Unit : mm

Bore size	A	B	C	E	F			ØG	H	L	MM	NN	R	S			W	Z			ØQ
					5 <sup>ST</sup>	10 <sup>ST</sup>	15 <sup>ST</sup>							5 <sup>ST</sup>	10 <sup>ST</sup>	15 <sup>ST</sup>		5 <sup>ST</sup>	10 <sup>ST</sup>	15 <sup>ST</sup>	
Ø6	7	12	13.9	6	12.5	19.5	26.5	8.5	9	C0.5	M3X0.5	M10X1.0	9	18.5	25.5	32.5	3	27.5	34.5	41.5	3
Ø10	10	19	22	6	14.5	21	28	12	12	C1	M4X0.7	M15X1.5	13	20.5	27	34	4	32.5	39	46	5
Ø15	12	27	31	7	16.5	22.5	29	19	14	C1	M5X0.8	M22X1.5	20	23.5	29.5	36	5	37.5	43.5	50	6