

KGUA series



KGUA 20-100

※ Cylinder not included.

Features

- Used by attaching a circular cylinder. (ACP, ACS2, ACS3, ACS4, ACS5 series applicable)
- Available up to Ø10 ~ Ø40.
- It adopts advanced oil-free bearings for smooth operation and excellent anti-rotation.

How to Order

KGUA (1) (2) - (3)

① Series

KGUA	Guide unit for cylinder
------	-------------------------

② Bore size of applicable cylinder

10	Ø10
16	Ø16
20	Ø20
25	Ø25
32	Ø32
40	Ø40

③ Cylinder stroke

Bore size	Standard stroke
Ø10	5, 10, 15, 20, 25, 30, 35, 40, 45, 50, 60, 70, 75, 100, 125, 150
Ø16	10, 15, 20, 25, 30, 35, 40, 45, 50, 60, 70, 75, 100, 125, 150, 175, 200
Ø20	10, 15, 20, 25, 30, 35, 40, 45, 50, 60, 75, 100, 125, 150, 175, 200, 250, 300, 350, 400, 450, 500, 550, 600
Ø25	10, 15, 20, 25, 30, 35, 40, 45, 50, 60, 75, 100, 125, 150, 175, 200, 250, 300, 350, 400, 450, 500, 550, 600
Ø32	25, 50, 75, 100, 125, 150, 175, 200, 250, 300, 350, 400, 450, 500, 600
Ø40	25, 50, 75, 100, 125, 150, 175, 200, 250, 300, 350, 400, 450, 500, 600

※ Other intermediate strokes available on request. (Intermediate and long strokes are made to order.)

Mass

Unit : kg

Bore size (mm)	Ø10	Ø16	Ø20	Ø25	Ø32	Ø40
Basic mass	0.17	0.26	0.33	0.59	0.64	1.24
Additional mass of each 50mm stroke	0.06	0.09	0.16	0.25	0.26	0.41

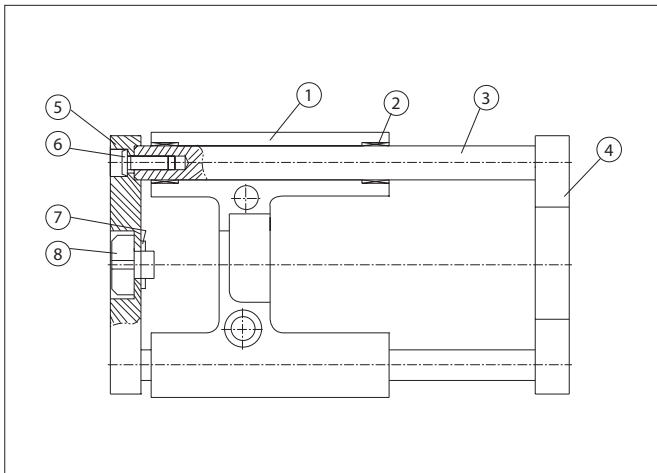
Calculation:

Ex) KGUA 32-500
Basic mass: 0.64(32Ø) / Additional mass: 0.26/50 / Stroke: 500mm
0.64+(0.26/50X500) = 3.24kg

⚠ Precautions

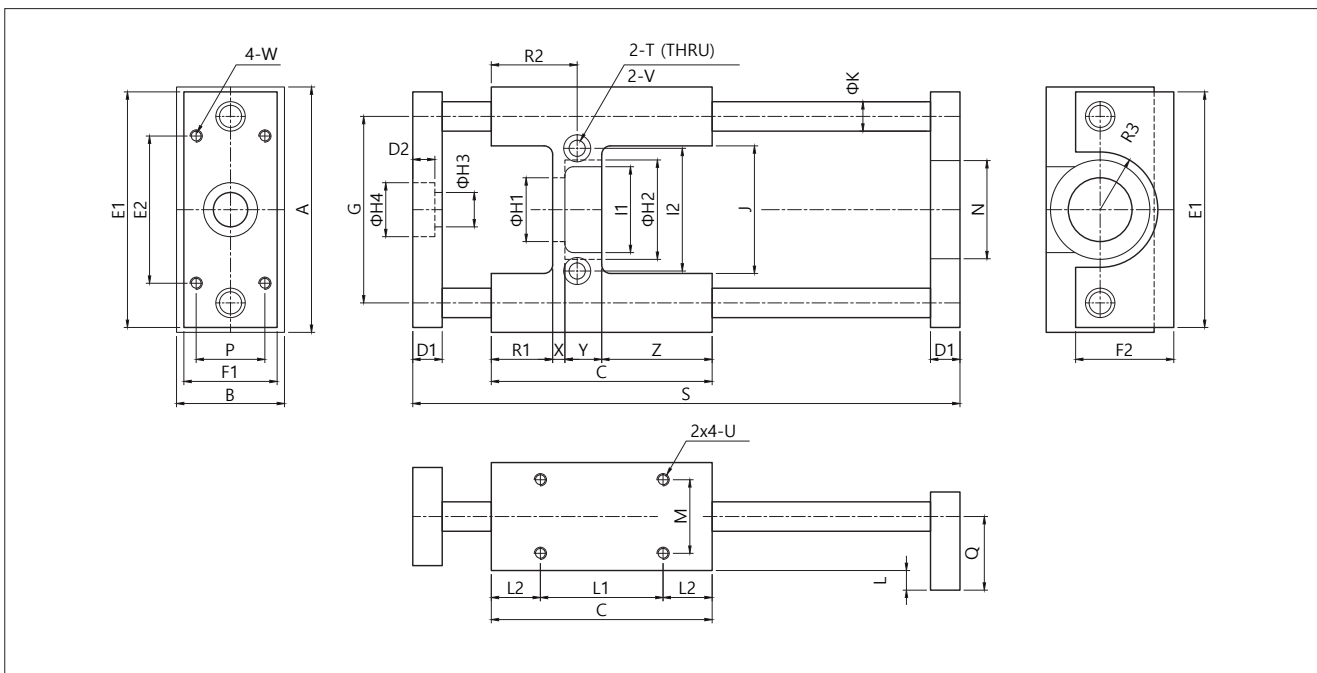
1. Care must be taken to avoid injuries or damage arising from an object being crushed or pressed against the sliding part on the guide rod.
2. The surface of the guide rod is made with a high degree of precision, therefore a slight deformation or scar may cause malfunction or impaired durability.
3. If a guide body is fitted, the fitting surface thereof should have a high degree of flatness.
4. A distorted or bent guide rod may cause abnormal increase in operational resistance and early wear on the bearing, resulting in impaired performance.
5. Fit on the place in contemplation of easy maintenance. Secure sufficient space around the cylinder for easy maintenance.
6. Do not move the back plate to adjust strokes. It may cause poor impact absorption when the back plate comes in contact with the guide body or the bolt fixing the bracket, resulting in improper stroke positions and operation.

Structure



Part no.	Parts	Material
1	Guide Body	Aluminium Alloy
2	DU Bush	-
3	Guide Rod	Steel
4	Back Plate	Aluminium Alloy
5	Front Plate	Steel
6	Bolt For Guide	Carbon Tool Steel
7	Flat Washer	-
8	Rod End Attachment	Carbon Steel

Dimensions



Unit : mm

Model	A	B	C	D1	D2	E1	E2	F1	F2	G	H1	H2	H3	H4	I1	I2	J	K
KGUA10	53	17	50	10	3	51	26	16	16	39	Ø8	Ø14	Ø8	Ø12	12	25	25	Ø6
KGUA16	66	22	50	10	3	64	32	20	22	48	Ø10	Ø20	Ø8	Ø12	12	30	32	Ø8
KGUA20	80	32	80	10	7	78	40	30	30	60	Ø20	Ø29	Ø14	Ø22	25	38	40	Ø10
KGUA25	100	40	90	10	7	98	60	38	40	76	Ø26	Ø34	Ø14	Ø22	29	50	52	Ø10
KGUA32	100	44	90	12	9	98	60	40	40	76	Ø26	Ø40.5	Ø14	Ø22	35	50	52	Ø12
KGUA40	126	54	120	12	9	124	70	50	50	100	Ø32	Ø50.5	Ø21	Ø26	44	68	74	Ø14

Model	L2	L1	L	M	N	P	Q	R1	R2	R3	S	T	U	V	W	X	Y	Z
KGUA10	13	24	2.5	12	18	9	11	14	20	R9	74+Stroke	Ø4.5	M3DP5	Ø7DP5	M3	5	17	14
KGUA16	13	24	3	16	22	15	14	14	20	R11	74+Stroke	Ø5.5	M4DP8	Ø9DP6.5	M3	5	17	14
KGUA20	15	50	6	22	30	18	22	25	35	R15	106+Stroke	Ø5.5	M4DP15	Ø9DP6.5	M4	5	15	35
KGUA25	20	50	10	30	40	28	30	25	35	R20	119+Stroke	Ø6.5	M4DP15	Ø11DP7.5	M4	5	15	45
KGUA32	20	50	8	30	47	28	30	25	35	R23.5	123+Stroke	Ø6.5	M5DP12	Ø11DP7.5	M5	5	15	45
KGUA40	25	70	13	38	55	38	40	26	43	R27.5	150+Stroke	Ø8.5	M6DP20	Ø14DP9.5	M6	8	20	66