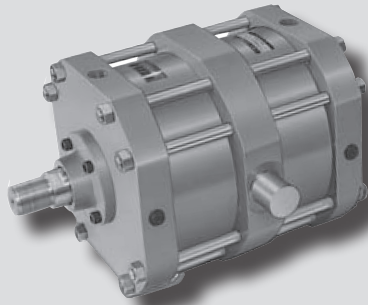


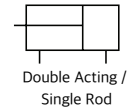
ACX series



Features

- Bore size Ø350 to Ø450 is available.
- Excellent durability and performance.
- Various mounting styles.

Symbol



Type기호

ACX - TC 400 - S 600

① ② ③ ④ ⑤ ⑥ ⑦

① Series

ACX	Extra-large cylinder
-----	----------------------

② Mounting style

LB	Foot
FA	Rod Side Flange
FB	Head side flange
CA	Single clevis
TC	Center Trunnion

③ Bore size

350	ø350
400	ø400
450	ø450

④ Cylinder stroke

~ ≤ 1000mm

⑤ Bellows

	Material	Max. Temperature
Nil	Without bellows	
J	Nylon Tarpaulin	60°C
K	Neoprene Cloth	110°C

⑥ Cushion

N	Without cushion
R	Rod side cushion
H	Head side cushion
Nil	Both side cushion

⑦ Rod end attachment

Nil	None
I	Single Knuckle Joint
Y	Double Knuckle Joint

※ Refer to page [1]-140, for specifications about custom-made rod ends.

Specifications

Type	Double acting
Fluid	Air
Proof pressure	16kgf/cm ² (1.6MPa)
Max. operating pressure	9.9kgf/cm ² (0.99MPa)
Min. operating pressure	1.0kgf/cm ² (0.1MPa)
Ambient & fluid temperature	-10°C ~ 60°C
Operating piston speed	50~500mm/sec
Tolerance of thread	KS class 2

Tolerance of stroke			
≤100mm	+0.8 0	≤251~630mm	+1.25 0
≤101~250mm	+1.0 0	≤631~1000mm	+1.4 0

※Max. stroke is 1000mm. Contact us for longer strokes.

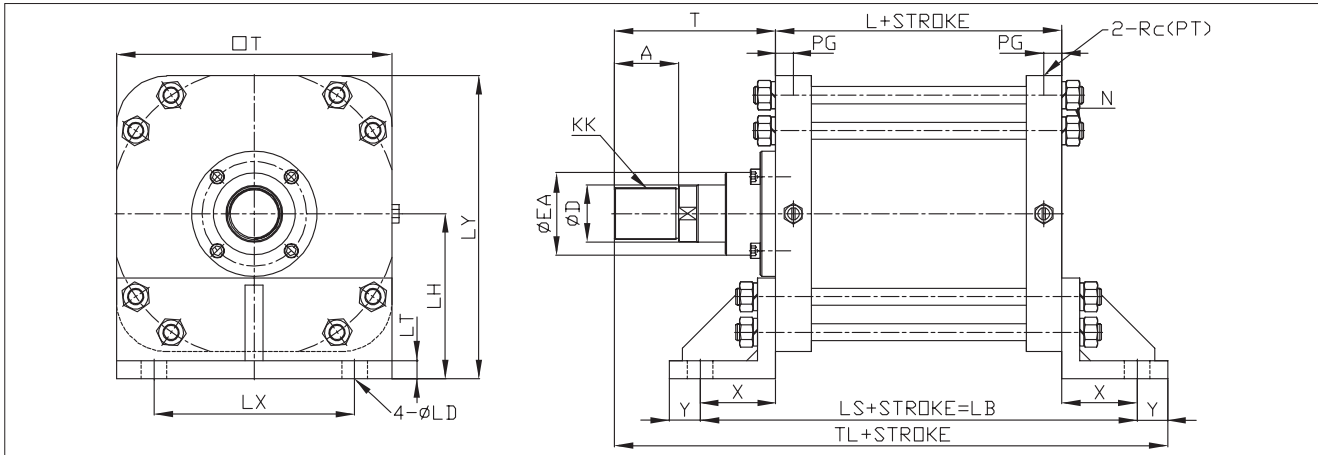
Mass

Mounting style \ Bore size	Basic mass					Additional mass for each 100mm stroke
	LB	FA	FB	TC	CA	
ø350	410	410	410	410	410	24
ø400	540	540	540	540	540	28
ø450	679	679	679	679	679	34

Calculation

Double Acting Single Rod Aluminium Tube
Ex) ACX-LB350-S500
Basic mass: 410(Foot Ø350) / Additional mass: 24/100
Cylinder stroke: 500mm
410 + 24/100 X 500 = 530 kg

Dimensions-Foot (LB)

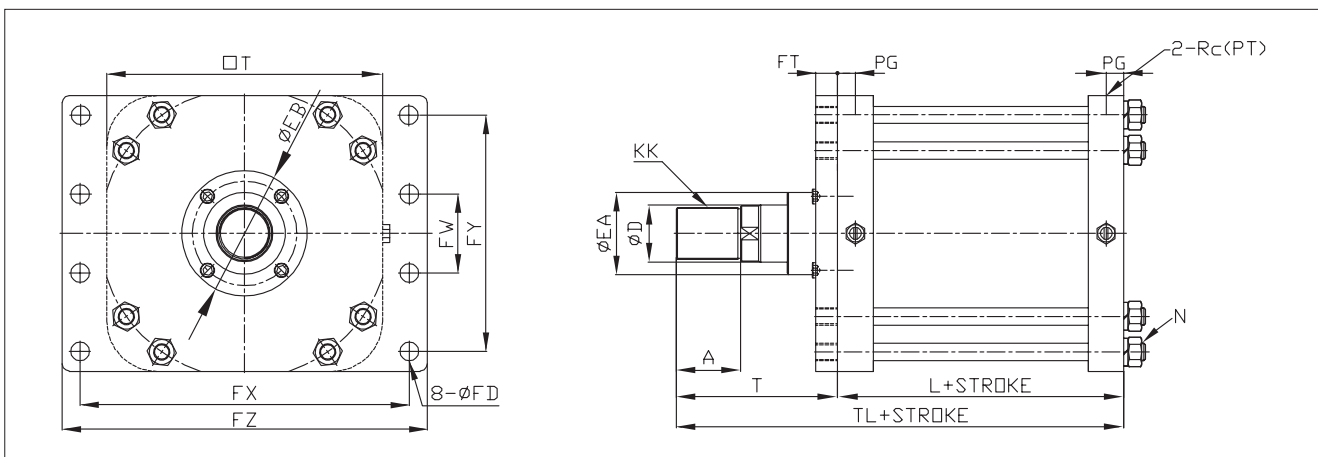


Unit : mm

Bore size	A	∅D	∅EA	KK	L	∅LD	LH	LS	LX	LY	LT	N	PG	Rc(PT)
∅350	90	80	115	M72×2.0	200	36	230	410	280	422.5	25	8-M24×1.5	25	1
∅400	100	90	125	M82×2.0	225	39	295	485	320	512.5	32	8-M27×1.5	30	1 1/4
∅450	110	100	140	M90×2.0	240	42	320	530	380	562.5	35	8-M27×1.5	30	1 1/4

Bore size	T	□T	TL	X	Y
∅350	225	385	573	105	43
∅400	250	435	655	130	50
∅450	285	485	725	145	55

Dimensions-Rod Side Flange (FA)

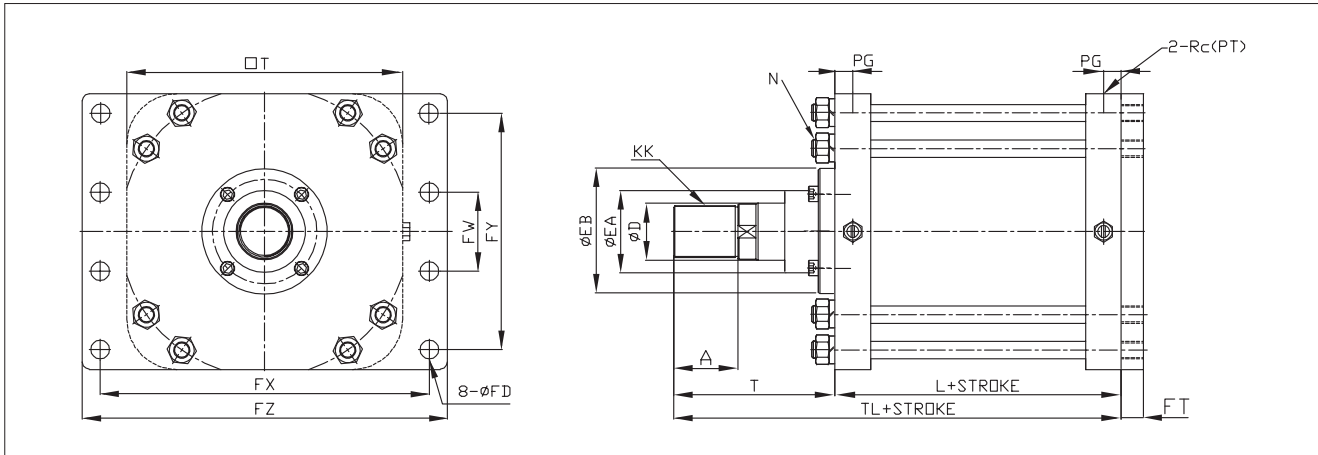


Unit : mm

Bore size	A	∅D	∅EA	∅EB	∅FD	FT	FW	FX	FY	FZ	KK	L	N	PG
∅350	90	80	115	175	26	30	110	460	330	510	M72×2.0	200	8-M24×1.5	25
∅400	100	90	125	196	30	32	120	515	360	575	M82×2.0	225	8-M27×1.5	30
∅450	110	100	140	215	33	35	120	565	400	630	M90×2.0	240	8-M27×1.5	30

Bore size	Rc(PT)	T	□T	TL
∅350	1	225	385	425
∅400	1 1/4	250	435	475
∅450	1 1/4	285	485	525

Dimensions-Head Side Flange (FB)

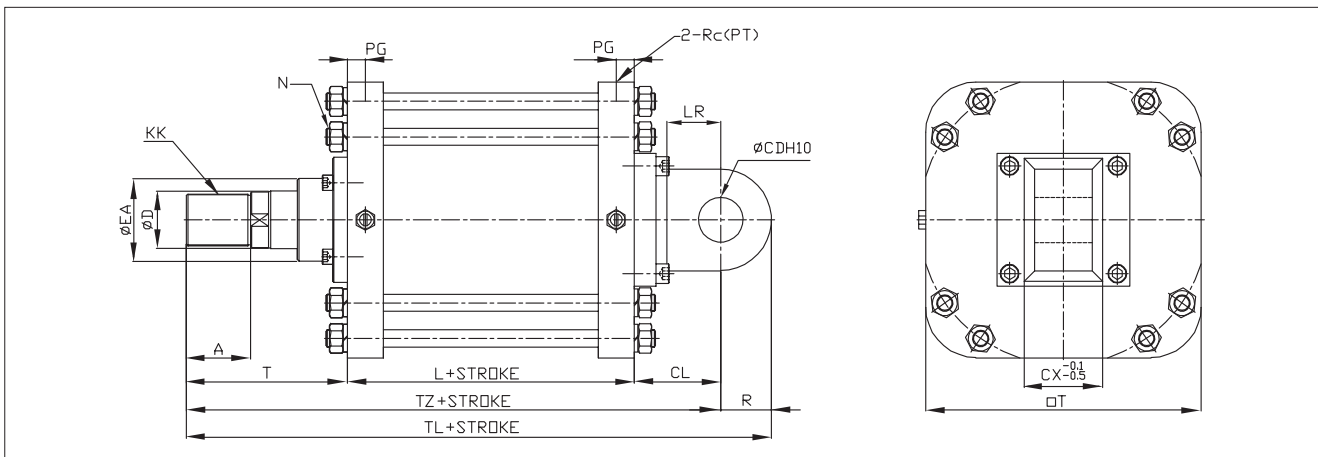


Unit : mm

Bore size	A	ØD	ØEA	ØEB	ØFD	FT	FW	FX	FY	FZ	KK	L	N	PG
Ø350	90	80	115	175	26	30	110	460	330	510	M72×2.0	200	8-M24×1.5	25
Ø400	100	90	125	196	30	32	120	515	360	575	M82×2.0	225	8-M27×1.5	30
Ø450	110	100	140	215	33	35	120	565	400	630	M90×2.0	240	8-M27×1.5	30

Bore size	Rc(PT)	T	□T	TL
Ø350	1	225	385	425
Ø400	1 1/4	250	435	475
Ø450	1 1/4	285	485	525

Dimensions-Single Clevis (CA)

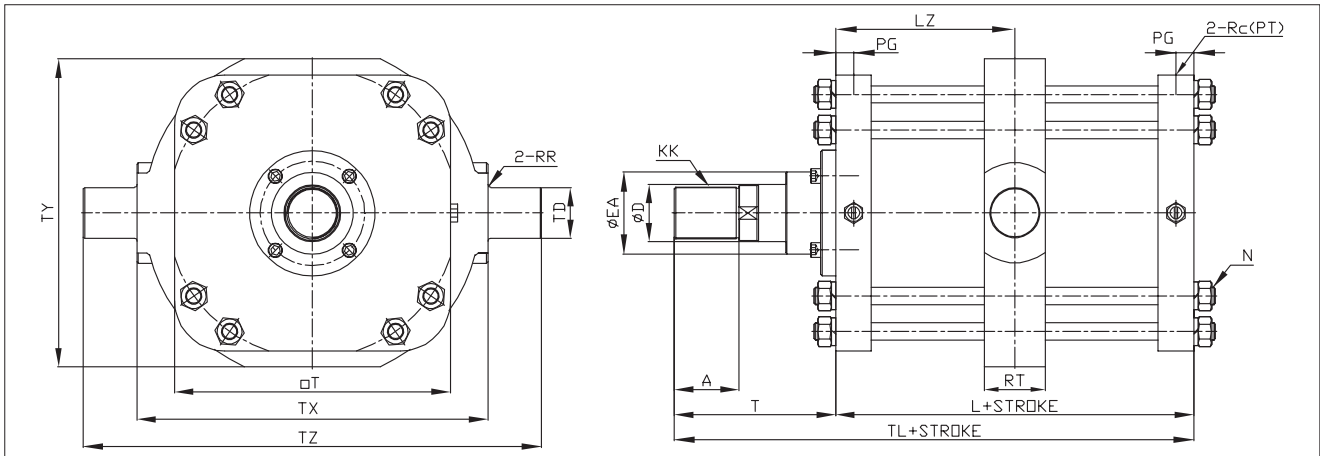


Unit : mm

Bore size	A	ØCD	CL	CX	ØD	ØEA	KK	L	LR	N	PG	R	Rc(PT)	T
Ø350	90	63	121	80	80	115	M72×2.0	200	75	8-M24×1.5	25	71	1	225
Ø400	100	71	135	90	90	125	M82×2.0	225	85	8-M27×1.5	30	80	1 1/4	250
Ø450	110	80	150	100	100	140	M90×2.0	240	95	8-M27×1.5	30	90	1 1/4	285

Bore size	□T	TL	TZ
Ø350	385	617	546
Ø400	435	690	610
Ø450	485	765	675

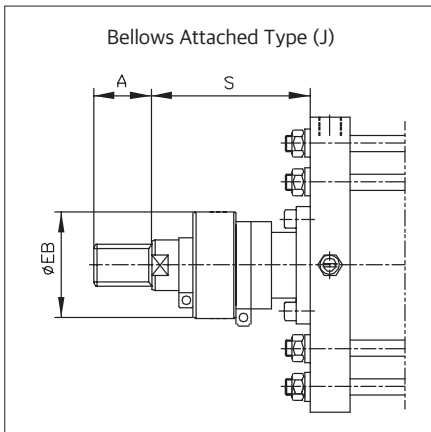
Dimensions- Center Trunnion (TC)



Unit : mm

Bore size	A	ØD	ØEA	KK	L	LZ	N	PG	Rc(PT)	RR	RT	T	□T	ØTD	TL	TX	TY	TZ
Ø350	90	80	115	M72×2.0	200	100	8-M24×1.5	25	1	4	85	225	385	71 ^{-0.100} -0.174	425	490	430	640
Ø400	100	90	125	M82×2.0	225	112.5	8-M27×1.5	30	1 1/4	4	90	250	435	80 ^{-0.100} -0.174	475	540	490	720
Ø450	110	100	140	M90×2.0	240	120	8-M27×1.5	30	1 1/4	4	100	285	485	90 ^{-0.120} -0.207	525	610	530	800

Dimensions-Bellows Attached (J)

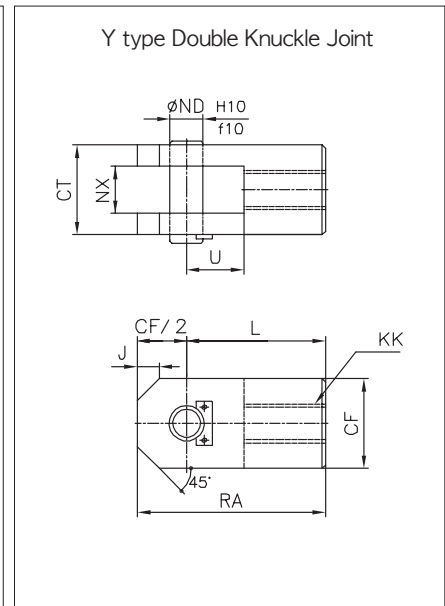
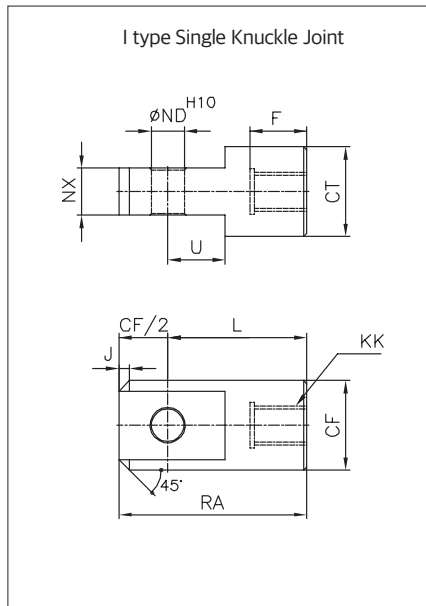


Unit : mm

Bore size	Stroke	S	A	ØEB
Ø350	0-250	186	90	190
	251-400	216		
	401-630	276		
	631-1000	356		
Ø400	0-250	205	100	220
	251-400	245		
	401-630	295		
	631-1000	385		
Ø450	0-250	204	110	230
	251-400	234		
	401-630	294		
	631-1000	374		

※ SUS band is mounted at bellows at delivery.

Dimensions-Accessory



Unit : mm

Bore size	CF	CT		F	J	KK	L	ND	NX	RA	U	
		Single knuckle joint	Double knuckle joint								Single knuckle joint	Double knuckle joint
Ø350	142	110	160	92	30	M72×2.0	205	63	80	276	85	90
Ø400	160	120	180	102	30	M82×2.0	215	71	90	295	90	100
Ø450	180	130	200	112	40	M90×2.0	225	80	100	315	95	120

Type	J	K
Material	Nylon Tarpaulin	Neoprene Cloth
Heat resistant	60°C	110°C