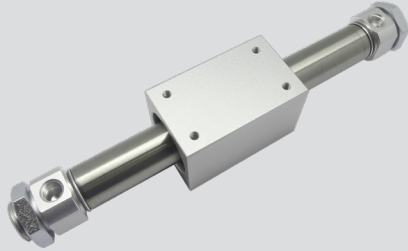


ARM series



Features

- Built-in magnet is the standard
- Non-lube packing is standard
- Auto switch for position detection is available.
(With guide attachment)

How to Order

ARM B H 25 - 500

① ② ③ ④ ⑤ ⑥ ⑦

① Series

ARM	Magnetic rodless cylinder
-----	---------------------------

② Guide type

B	Standard
G	With guide (With auto switch)

③ Magnet holding force

Bore size	Ø16	Ø20	Ø25	Ø32	Ø40
H	12	24	37	60	94

④ Bore size

16	20	25	32	40
Ø16	Ø20	Ø25	Ø32	Ø40

⑤ Rod end attachment

Bore size \ Stroke	ARMB(Standard)		Max. stroke	ARMG(With guide)		Max. stroke
	Stroke	Max. stroke		Stroke	Max. stroke	
Ø16	50,100,150,200,250,300,400,500	700	50,100,150,200,250,300,400,500	700		
	100,150,200,250,300	1100		100,150,200,250,300	2000	
Ø25	350,400,450,500,600	1100	350,400,450,500,600	2000		
	700,800	1100		700,800	2000	
Ø40	100,150,200,250,300	1100	100,150,200,250,300	2000		
	350,400,450,500,600				350,400,450,500,600	
	700,800,900,1000		700,800,900,1000			

⑥ Auto switch

Reed A/S	Model	Solid state A/S	Model
Z72K	D-Z72K	Y59AK	D-Y59AK
Z73K	D-Z73K	Y7PK	D-Y7PK
		Y59BK	D-Y59BK

* Applies only to guide attachment type.

⑦ Number of auto switches

Nil	2 pcs
S	1 pc

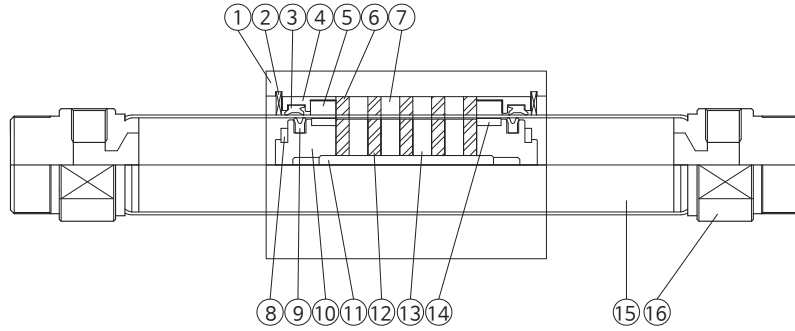
* Applies only to guide attachment type.

Specifications

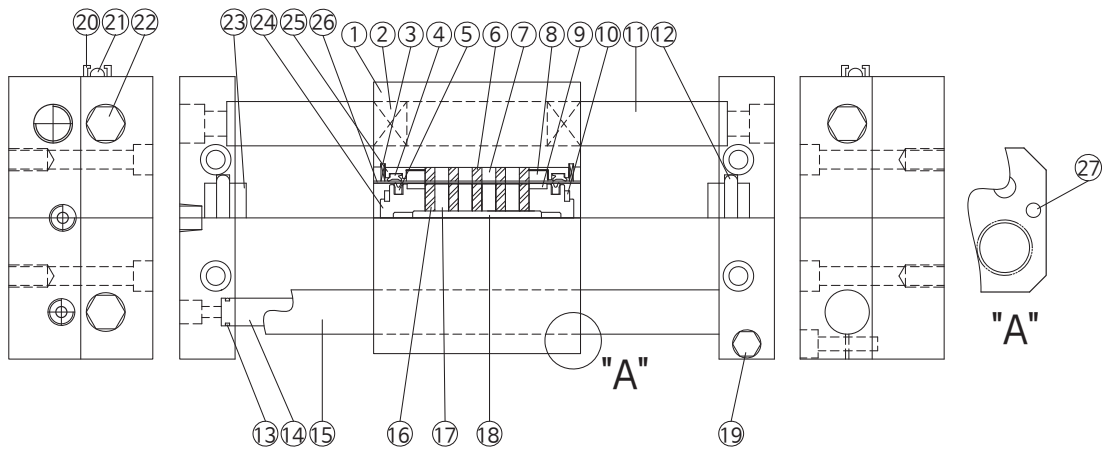
Bore size	Ø16	Ø20	Ø25	Ø32	Ø40
Fluid	Air				
Proof pressure	10.5kgf/cm ² (1.05MPa)				
Max. operating pressure	7kgf/cm ² (0.7MPa)				
Min. operating pressure	2kgf/cm ² (0.2MPa)				
Lubrication	Not required				
Operating piston speed	150~500mm/s				
Magnet holding force(N)	120	240	370	600	940

Structure

Standard



With guide



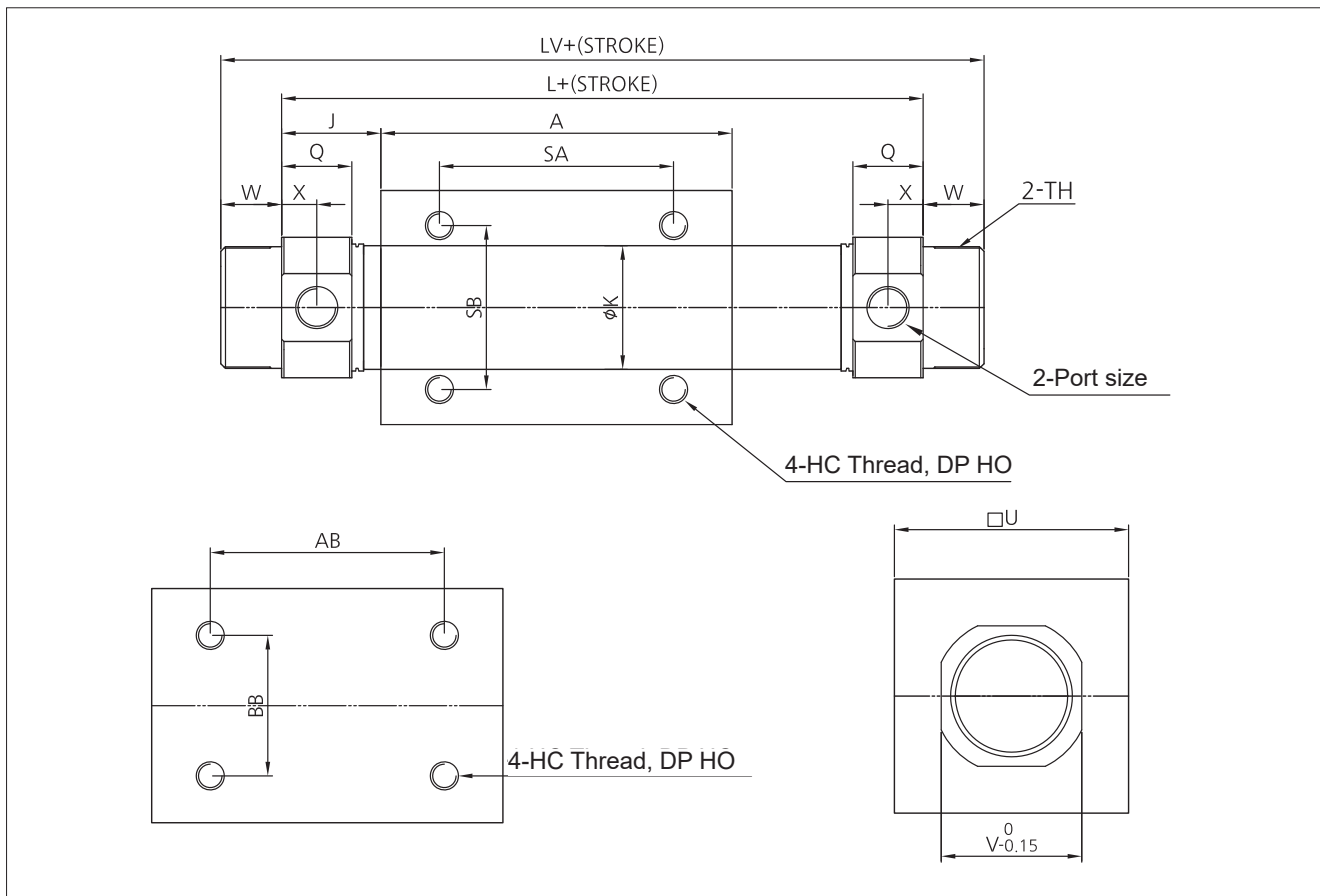
Standard

No.	Parts	Material
1	SLIDER	Aluminium alloy
2	SNAP RING	Carbon steel
3	DUST SEAL	NBR
4	HOLDER	Aluminium alloy
5	OUTER WEARING	Resin Alloy
6	OUTER YOKE	Carbon steel
7	OUTER MAGNET	Rare-earth Magnet
8	DAMPER	Eurethane
9	PISTON PACKING	NBR
10	PISTON	Aluminium alloy
11	SHAFT	Stainless Steel
12	INNER YOKE	Carbon steel
13	INNER MAGNET	Rare-earth Magnet
14	INNER WEARING	Resin Alloy
15	CYLINDER TUBE	Stainless Steel
16	END COVER	Aluminium alloy

With guide

No.	Parts	Material	No.	Parts	Material
1	SLIDER	Aluminium alloy	15	GUIDE ROD-B	Carbon steel
2	DU BUSH	PBC3	16	INNER YOKE	Carbon steel
3	SNAP RING	Carbon steel	17	INNER MAGNET	Rare-earth Magnet
4	DUST SEAL	NBR	18	SHAFT	Stainless Steel
5	PISTON PACKING	NBR	19	GUIDE ROD BOLT-A	Carbon steel
6	OUTER YOKE	Carbon steel	20	SWITCH HOLDER	Aluminium alloy
7	OUTER MAGNET	Rare-earth Magnet	21	SWITCH HOLDER BOLT	Carbon steel
8	OUTER WEARING	Resin Alloy	22	GUIDE ROD BOLT-B	Carbon steel
9	INNER WEARING	Resin Alloy	23	STOPPER	Aluminium alloy
10	DAMPER	Eurethane	24	PISTON	Aluminium alloy
11	GUIDE ROD- A	Carbon steel	25	HOLDER	Aluminium alloy
12	CYLINDER TUBE O-RING	NBR	26	CYLINDER TUBE	Stainless Steel
13	AIR PIPE O-RING	NBR	27	SWITCH MAGNET	Rare-earth Magnet
14	AIR PIPE	Aluminium alloy			

Dimensions-Standard (B)

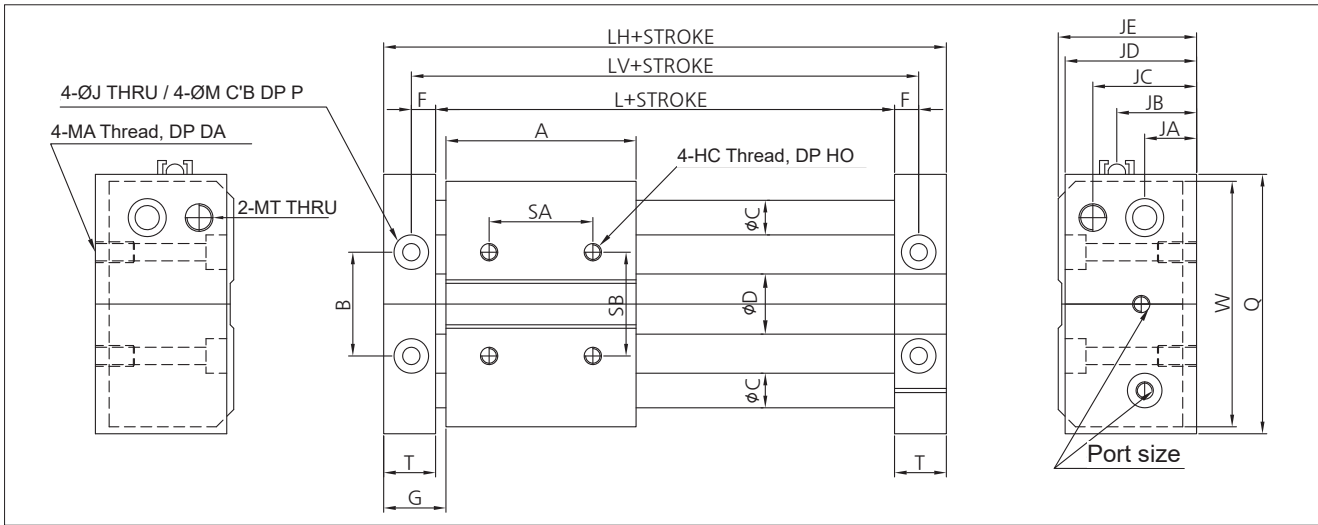


Unit:mm

Bore size	Stroke	Bore size	A	U	K	W	X	J	HO	HP	L	LV
Ø16	~700	M5x0.8	55	35	17.4	8	4.5	14	5.5	5.5	83	99
Ø20	~1100	RC 1/8	65	40	21.6	13	8	20	9	9	106	132
Ø25	~1100	RC 1/8	75	50	26.6	13	8	18	9	9	111	137
Ø32	~1100	RC 1/8	88	60	33.8	13	8	18	12	12	124	150
Ø40	~1100	RC 1/4	91	70	42	16	11	29.5	11	11	150	182

Bore size	HC	HD	Q	V	TH	SA	SB	AB	BB
Ø16	M5*0.8	M4*0.7	9	18	M10*1.0	35	20	35	19
Ø20	M6*1.0	M4*0.7	15	24	M20*1.5	50	26	50	25
Ø25	M6*1.0	M5*0.8	15	30	M26*1.5	50	35	50	30
Ø32	M8*1.25	M6*1.0	15	34.5	M26*1.5	60	40	50	40
Ø40	M8*1.25	M6*1.0	21.5	42.5	M32*2.0	60	45	60	40

Dimensions-With guide (G)

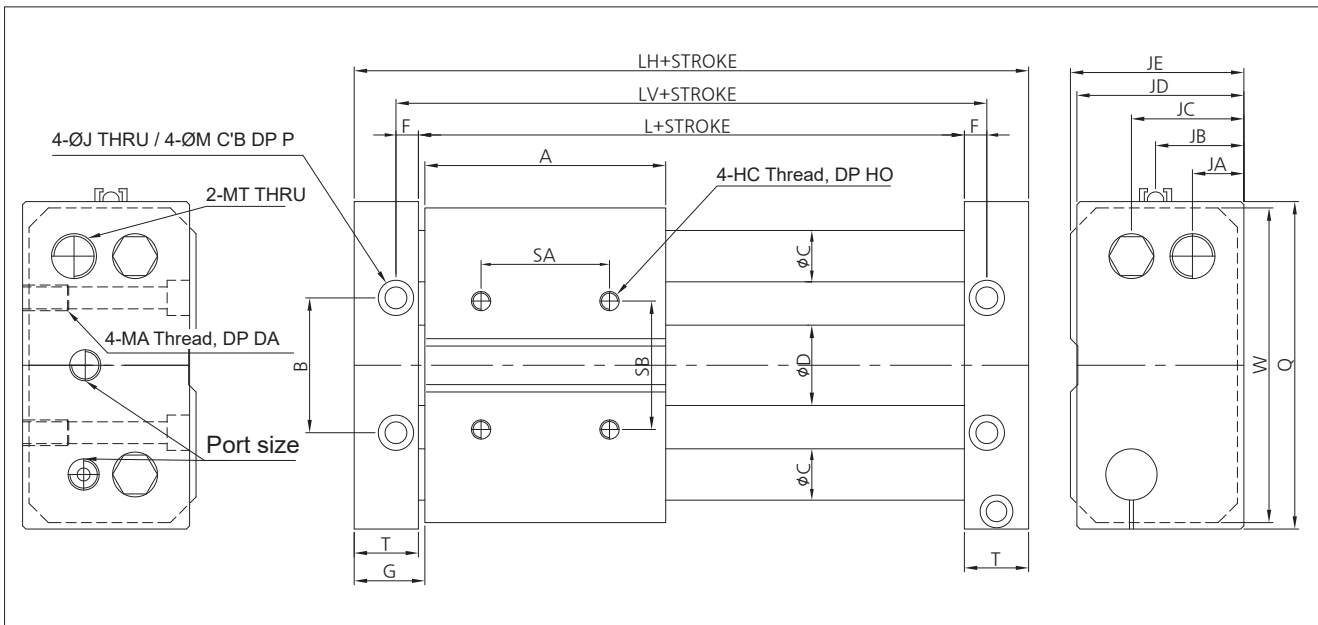


Unit:mm

Bore size	Stroke	Bore size	A	SA	SB	B	C	D	F	T	G	HC	HO	J
Ø16	~700	M5x0.8	55	30	30	30	10	17.4	7.5	15	18	M5x0.8	12	5

Bore size	M	P	MT	MA	DA	W	Q	JA	JB	JC	JD	JE	L	LV	LH
Ø16	10	7	M8x1.0	M6x1.0	10	71	75	15	24	30	38	40	61	76	91

Dimensions-With guide (G)



Unit:mm

Bore size	Stroke	Bore size	A	SA	SB	B	C	D	F	T	G	HC	HO	J	LV
Ø20	~2000	RC1/8	66	40	40	38	16	21.6	8	20	24	M6x1.0	8	5	132
Ø25	~2000	RC1/8	74	40	40	42	16	26.6	7	20	24	M6x1.0	8	6.8	137
Ø32	~2000	RC1/8	88	50	50	50	20	33.7	9	22	23	M8x1.25	12	8.5	150
Ø40	~2000	RC1/4	91	64	64	64	25	41.6	10	25	29.5	M8x1.25	12	8.5	182

Bore size	M	P	MT	MA	DA	W	Q	JA	JB	JC	JD	JE	L	LV	LH
Ø20	10	6	M10 x1.0	M6x1.0	15	94	98	11	19	30	44	46	74	90	114
Ø25	11	7	M14 x1.5	M8x1.25	16	98	102	15	23	34	52	54	74	90	114
Ø32	14	8.6	M20 x1.5	M10x1.5	16	118	122	19.5	29.5	42.5	62	64	90	110	134
Ø40	14	8.6	M20 x1.5	M10x1.5	14	141	145	20	34.5	47.5	72	74	100	120	150