

G THOR

TRACTOR DRIVEN PTO GENERATORS



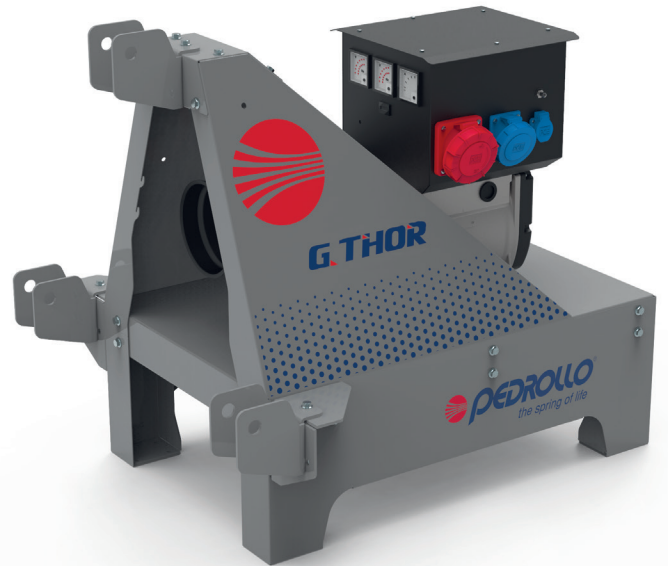
MADE IN ITALY

 **PEDROLLO**[®]
the spring of life

G THOR

Tractor driven PTO generators

- ※ **G-THOR: THE EASIEST AND MOST CONVENIENT SOLUTION TO PROVIDE PORTABLE ELECTRICAL POWER IN THE AGRICULTURAL SECTOR**
- ※ **G-THOR** is a tractor driven **PTO** (power take-off) generator that includes synchronous alternator, coupled to a speed increaser gearbox, towable by the tractor via three-point hitch.
- ※ The generator can be used after being placed on the ground. After having connected the tractor **PTO** shaft to the speed increaser gearbox with a cardan shaft, the tractor **PTO** must be set up at the required rpm.
- ※ The gearbox, transmitting the tractor **PTO** mechanical power to the alternator, increases the **PTO** required rpm up to the alternator nominal speed. The perfect working conditions are reached once the voltmeter indicates 50Hz value.
- ※ All **PTO** generators are available in both single and three-phase configurations.



APPLICATION

- This series has been designed to provide reliable power in emergency situations and for rural areas.
- Main applications are:
 - *Submersible pumps*
 - *Milking and cooling equipments*
 - *Harvesting activities*
 - *Poultry, sheep and cattle farms*
 - *Feeding equipments*
 - *Climate controlled warehouses*
 - *Dairy activities*
 - *Wheat mills*



G THOR

Tractor driven PTO generators

TECHNICAL DATA

MODEL	LINZ ELECTRIC ALTERNATOR	GEAR BOX (COMER)	GEAR BOX (BIMA)	ELECTRIC POWER @ 0.8P.F (kVA) 230/400V - 50Hz	ELECTRIC POWER (kW) 230/400V - 50Hz	TRACTOR PTO OUTPUT POWER (HP) @required rpm		TRACTOR PTO REQUIRED RPM	WEIGHT (kg)	DIMENSIONS	SUGGESTED TRACTOR POWER (HP)
						540 PTO speed	1000 PTO speed				
COMPOUND REGULATION											
G-TS10C	E1S13S B/4	A-624 B	-	10	10	17,6	-	430	165	SMALL	32
G-TS16C	E1S13M E/4	A-624 B	-	16	16	27,2	-	430	191	SMALL	50
G-TS20C	E1S13MF /4	A-624 B	-	20	20	33,6	-	430	194,5	SMALL	60
ELECTRONIC REGULATION											
G-TS20	PRO18S A/4	A-624 C	-	20	20	32,7	-	430	233	SMALL	55
G-TS25	PRO18S B/4	A-624 C	-	25	25	40,5	-	430	243	SMALL	70
G-TS30	PRO18S C/4	A-624 C	-	30	30	47,6	-	430	261	SMALL	85
G-TS42	PRO18M E/4	A-624 C	-	42	31	50,4	-	430	303	SMALL	90
G-TM50	PRO18L F/4	-	MGE7	50	43	65,8	-	420	352	MEDIUM	120
G-TL75	PRO22 SB/4	-	MGE9	75	65	98,7	-	420	494,5	LARGE	180
G-TL85	PRO22 SC/4	-	MGE9	85	66	98,7	-	420	514,5	LARGE	180
G-TL100	PRO22 SD/4	-	MGE10	100	84	126	-	500	556,5	LARGE	235
G-TL130	PRO22 ME/4	-	AMA	130	110	-	161	750	654,5	LARGE	300

OVERLOAD CAPACITY

The available engine start up capacity is up to 300% for 10 seconds and up to 50% for 2 minutes.

The alternator can bear 10% overload for one hour on 6 working hours.

SHORT CIRCUIT CURRENT

In case of three-phase symmetric short circuit, the permanent current is approx. three times of the rated current and it can be sustained for at least 10 seconds.

ELECTRIC PANEL

As standard all the alternators mount an electrical panel that includes: Voltmeter, Amperometer, Frequncymeter, CEE 5P full power socket, CEE 3P 16 or 32 Amp socket, Schuko socket with thermal protection, Magnetothermic switches and Earth leakage breaker.

REFERENCE STANDARDS

The **G-THOR** series is built in accordance with EN 60034-1, EN 60204-1, EN61000-6-2, EN61000-6-4, EN55014-1, EN 55011 standards and the 2006/95/CE and 2004/108/CE directives.

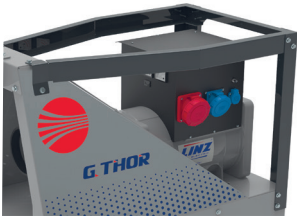
G-THOR GOING DIGITAL

The **PRO** series alternators can be equipped with the DR30 digital regulator which allows to read comfortably from the dedicated App (available for Android and iOS) on your smartphone the following parameters:

- Generator Frequency
- Voltage Phase R-S-T
- Current, Cosphi, Active power



ACCESSORIES



EXTRA PROTECTION BARS:

Extra bars for panel protection



DMK70 DEVICE FOR PANEL:

Three-phase digital voltmeter that reads every amperage phase + protection and general shut-down breaker in case of: phase loss, phase sequence, max-min voltage, max-min frequency and voltage asymmetry. All parameters settable by end user electrician.



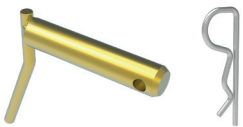
WHEELS KIT FOR MANUAL MOVEMENTS:

Supplied separately in a carton box with screws and assembling instructions.
2x fixed wheels + 2x steering wheels with brakes. Total acceptable load: 800kg.



TRAILER KIT FOR GROUND MOVEMENTS:

Supplied with axle and 2 x tires + shaft variable in height.

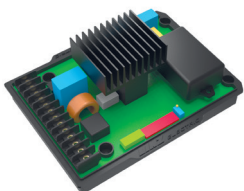


3 POINTS HITCH PINS KIT :

2 x low points diameter 28 + 1 x top point diameter 25 + 3 pins



STORAGE COVER

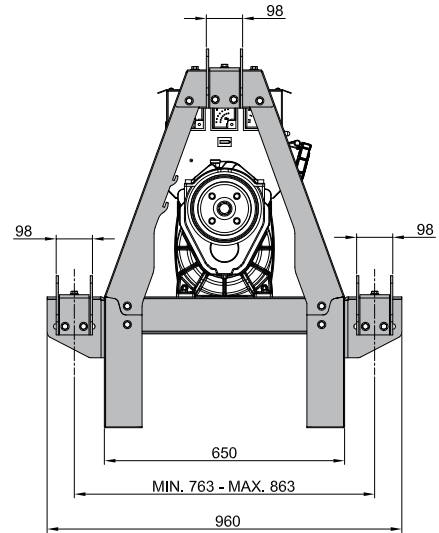
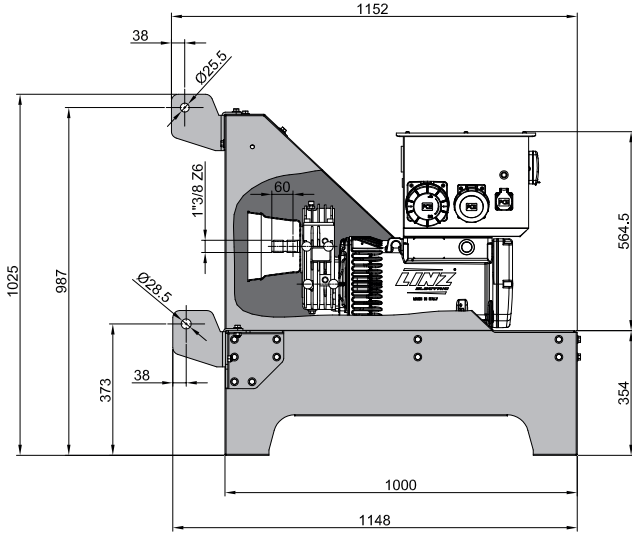


DIGITAL CONNECTION KIT

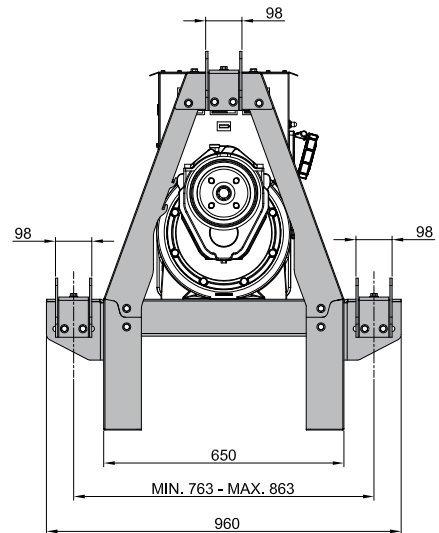
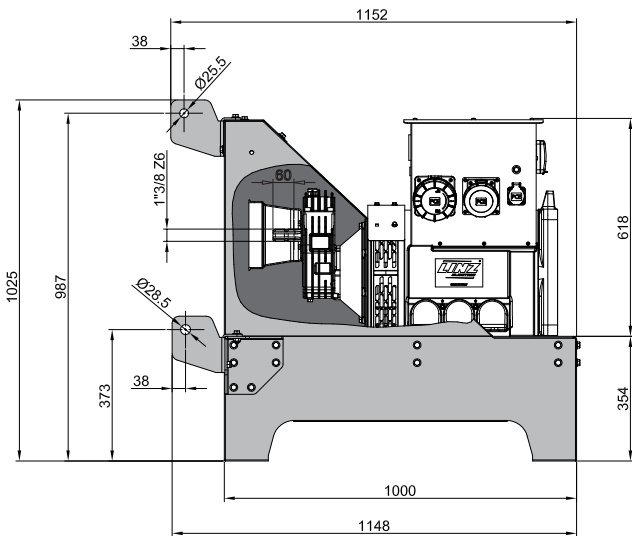
including DR30 digital regulator (for PRO alternators series) + connection module to read parameters on your smartphone

DIMENSIONS

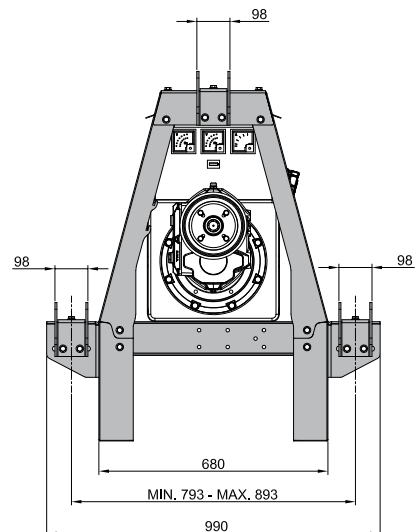
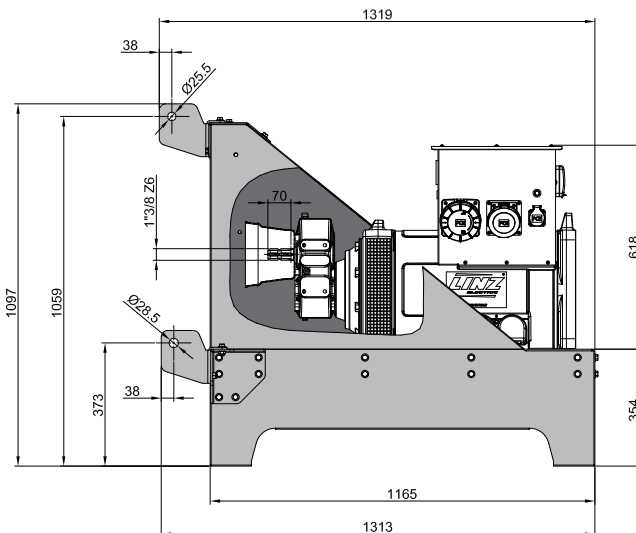
● SMALL - E1S13S-M



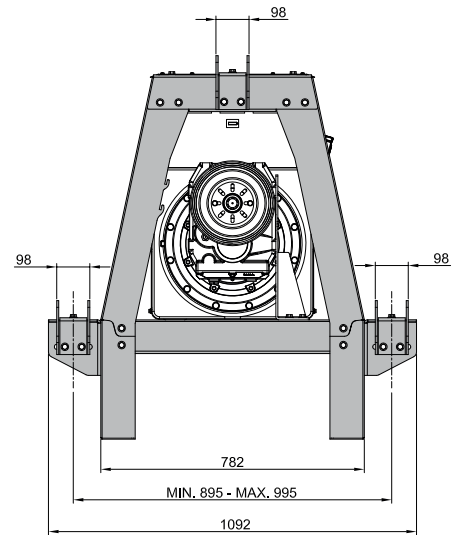
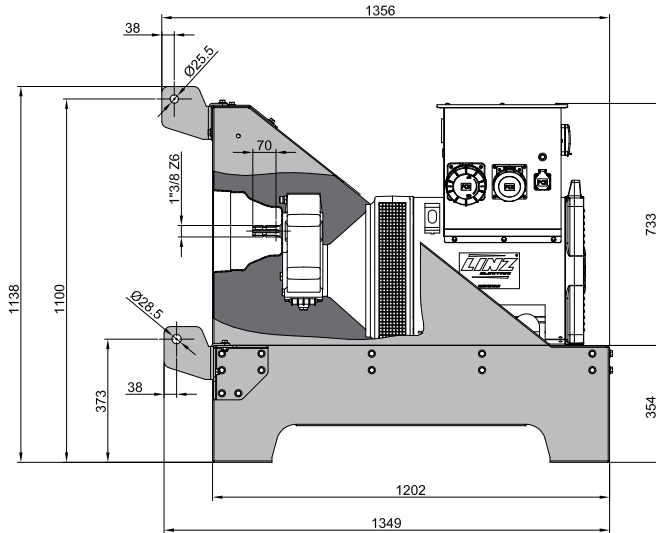
● SMALL - PRO18S-M



● MEDIUM - PRO18L



● **LARGE - PRO22SB - SC - SD**



● **LARGE - PRO22ME**

