

fish nutrition control system

FYSSALIS V5



save up to 20% on feeding costs

- choose the best feeding strategies

- understand what is happening in your cage

- improve the feeding method

www.elementtech.eu

email: yiannisks@gmail.com



Short description

1. Cameras

One hangs out of the cage and at a height of about 2 meters

One installed at depths of up to 20 meters and observes the fish during the feeding as well as the feed that falls into the sea.

2. System Power Supply

100W solar panel+12V / 25Ah battery

3. Image Transmission System

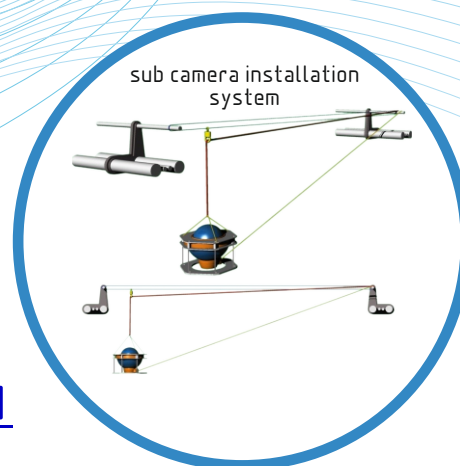
Wi-Fi with Access Point and Modem

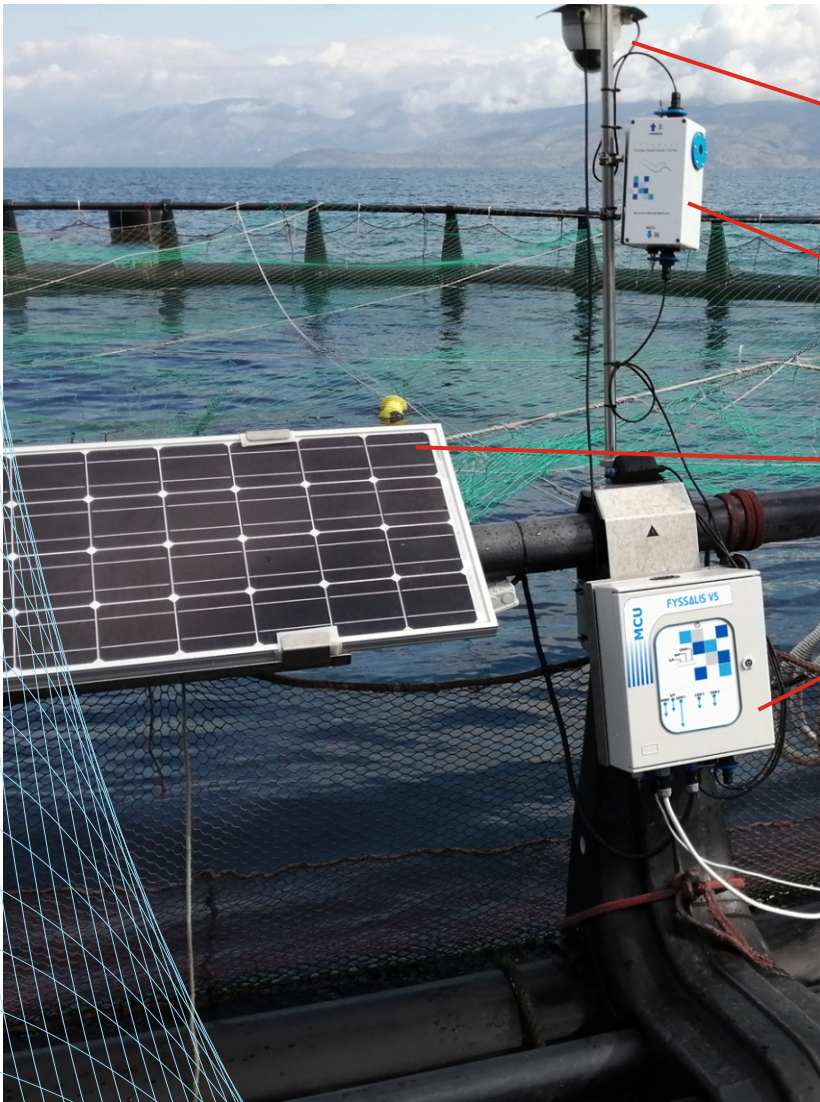
4. Support System

Fits to the bracket,
metal parts: INOX 316

5. Base Station

- Laptop with 15.6 inches
- Licensed software
- Modem
- Camera control program





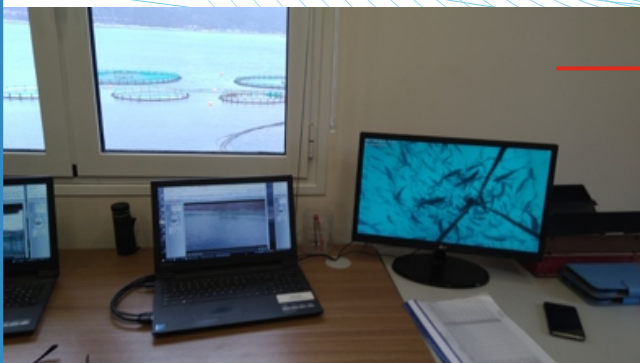
SURFACE CAMERA

MODEM

SOLAR PANEL

MCU
MAIN CONTROL UNIT

SUBMERSIBLE
CAMERA



CONTROL ROOM



Camera Technical Specification

Image Sensor 1/2.7" CMOS
Effective Pixels
1920(H) x 1080(V), 2 Megapixels
RAM/ROM 256M/128M
Electronic Shutter Speed 1/1s~1/300,000s
Scanning System Progressive
Minimum Illumination Color: 0.05Lux@F1.6; B/W: 0.005Lux@F1.6
Focal Length 2.7mm~11mm
Max. Aperture F1.6 ~ F2.8
Angle of View H: 112.5° ~ 30°
Optical Zoom 4x
Focus Control Auto/Manual
Close Focus Distance 100mm~1000mm

PTZ
Pan/ Tilt Range Pan: 0° ~ 355°; Tilt: 12° ~ 90°
Manual Control Speed Pan: 0.1° ~100° /s; Tilt: 0.1° ~60° /s
Preset Speed Pan: 100° /s; Tilt: 60° /s
Presets 300
Power up Action
Auto restore to previous PTZ and lens status after power failure
Idle Motion
Activate Preset/ Scan/ Tour/ Pattern if there is no Protocol DH-SD

Compression H.264+/H.264 / MJPEG
Streaming Capability 3 Streams
Resolution
1080P(1920 1080)/720P(1280 720)/
Frame Rate
D1(704 576/704 480)/CIF(352 288/352 240)
Main stream 1080P/ D1 (1 ~ 25/30fps), 720P(1~50/60fps)
Sub stream1 D1/CIF(1 ~ 25/30fps)
Sub stream2 720P/D1/ CIF (1 ~ 25/30fps)
Bit Rate Control CBR/VBR
Bit Rate
H.264+/H.264: 448K ~ 8192Kbps, MJPEG: 5120K ~ 10240Kbps
Day/Night Auto(ICR) / Color / B/W
Backlight Compensation BLC / HLC / WDR (120dB)
White Balance Auto, ΔTW, Indoor, Outdoor, Manual
Gain Control Auto / Manual
Noise Reduction Ultra DNR (2D/3D)
Region of Interest Support
Electronic Image Stabilization (EIS)
Defog Support
Digital Zoom 16x
Flip 180°

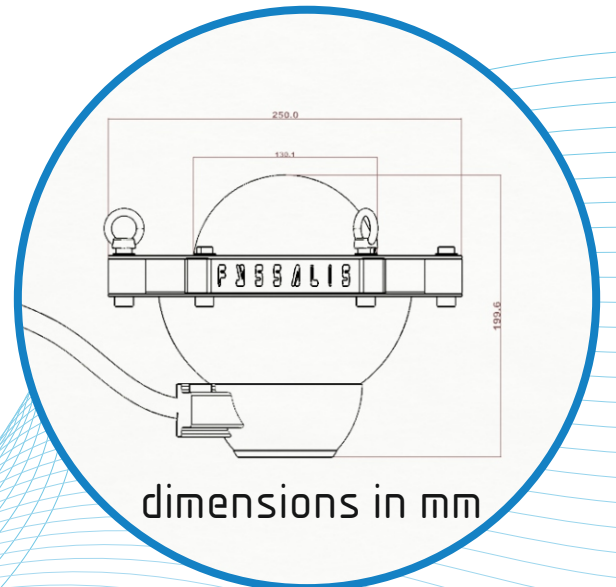
Network
Ethernet RJ-45 (10/100Base-T)

Protocol
IP v4 / IP v6, HTTP, HTTPS, SSL, TCP/IP, UDP, UPnP,
ICMP, IGMP, SNMP, RTPSP, RTP, SMTP, NTP, DHCP,
DNS, PPPoE, DDNS, FTP, IP Filter, QoS, Bonjour, 802.1x
Interoperability ONVIF, PSIA, CGI
Streaming Method Unicast / Multicast
Max. User Access 20-users
Edge Storage
Management Software Smart PSS, DSS
Smart Phone IOS, Android

www.elementtech.eu
email: yiannisks@gmail.com

FYSSALIS V5

system designed and powered by www.elementtech.eu



maximum depth 20 meters

