

APEXA® G

Compact Powerhouse™

- Low-Power High-Performance Intel® Celeron® J1900 Quad-Core Processor
 - Sleek and Compact Body with Small Footprint
 - Bezel-Free True-Flat PCAP Touch
- 15" Display with LED Backlight Delivering Bright and Crisp Images
 - Multiple I/O Interfaces for Peripherals
- Flexible Installation on a Counter or a Wall
 - Faster Installation and Serviceability
- Modern and Contemporary Styling for Interior Décor
- Engineered and Optimized for Hospitality and Retail Businesses



Features & Benefits



New Look. New Design

- Sleek and Compact. Small Footprint
- Modern and Contemporary Styling



Powerful Performer

- Intel® Celeron® J1900 Quad-Core Processor
- Low-Power High-Performance. Fanless Operation



Superior Touch Display

- Bezel-Free True-Flat 15" LED LCD Display
- PCAP Touch Activated with Fingers and Gloves



Install It Anywhere

- On a Counter or a Wall
- VESA Compatible (Option)



Save Time and Cost

- Easy Access to I/O Interfaces
- Faster Installation and Serviceability



Connect It to All

- Multiple I/O Interfaces
- 6 USB, 5 Serial. Optional Expansion Available

Specifications

General Specifications		Model : J19
System		
CPU	Intel® Celeron® J1900 (2.0 GHz) Quad-Core Processor / Fanless	
Chipset	ITE IT8786-I	
Storage	SATA 2 (3Gb/s) 2.5 inch SSD 64GB, Support AHCI	
Memory	4GB Standard (Max. 8GB) Type: DDR3L 1333 MT/s / Socket 1 x SODIMM	
Graphics Controller	Integrated Intel HD Graphics	
Audio	Realtek ALC662-VD 5.1 CH Audio	
LCD Display		
Size / Type	15" TFT LED Backlight	
Resolution	1024 x 768	
Luminance	300 cd/m ² (typ.)	
Touch Screen		
Type	Projective Capacitive Touch	
Controller Interface	USB Interface	
I/O Interface		
Display Port	1 x VGA (With 12V power output)	
USB Port	6 (Rear 2, Back 4 / USB 2.0 x 6 Ports), USB A type 1 (Rear 1, Reserved for MSR/SCR/I-Button), RJ-45	
Serial Port	5 (COM1 with 5V/12V power output on 9pins) (COM2-3 RJ-45, Full Signal) (COM4 RJ-11, Only TX/RX, 12V power output, Reserved for CDP) (COM6 RJ-45, Only TX/RX, 5V power output, Reserved for MSR)	
Ethernet Port	RJ-45	
Audio	Line-out	
Power DC-IN	1 (4pins connector)	
Power Requirement		
Adapter Input	Adaptor 12V, 5A	

OS Support	
OS	Windows 7, Windows 8.1, POS Ready 7, Windows 10
Mechanical & Environmental	
Operating Temperature	0°C ~ 60°C at 10% ~ 90% humidity
Storage Temperature	-20°C ~ 80°C at 10% ~ 90% humidity
Color	Dark Grey, White
Dimensions (W x H x D)	364 x 333 x 210 (mm)
Net Weight	5,300g
Packing Dimension (W x H x D)	500 x 470 x 300 (mm)
Packing Weight	8,000g
Certification	CE, FCC, KC, CB, CCC

Optional Configuration	
Storage	2.5 inch SSD 128GB 2.5 inch HDD 500GB 2.5 inch HDD 1TB
I/O Expansion	1 x COM5 (RJ-45 8pins) (Factory Option) 1 x Cash Drawer Port (RJ-11 6pins) (Factory Option)
Customer Display (CDP)	VFD (20 columns x 2 lines) 9.7" 2nd LCD (1024 x 768 resolution) 12.1" 2nd LCD (1024 x 768 Resolution) 15" 2nd LCD (1024 x 768 Resolution)
Magnetic Stripe Reader	MSR : Comply with ISO 7811, Support 1 & 2 & 3 track
Smart Card Reader	SCR : EMV level 1, 2
Dallas	Dallas I-button Reader
Camera	5M USB Interface (Internal) (Factory Option)
Wall Mount Kit	VESA-Compatible (75 x 75mm, 100 x 100mm)
Serial Conversion Cable	RJ-45 to D-sub 9

*Other mounting options available upon request. *Specifications may change without prior notice.

Peripheral Options



Customer Display
• VFD (2 Lines x 20 Characters)



2nd Display
• 9.7", 12.1", 15" LCD

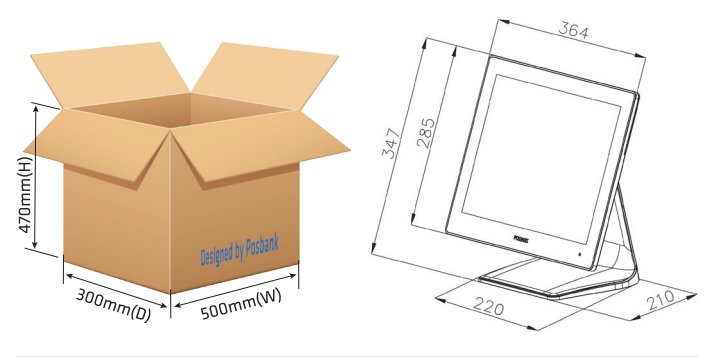


Multi-Reader
• MSR, SCR



POS Printers
• A7, A11

Dimension View



POSBANK®

Headquarters

#805~808, 108, Gasan digital 2-ro,
Geumcheon-gu, Seoul, 08506, South Korea
Tel : +82-2-2626-9118
Fax : +82-2-2626-9119
e-mail : sales@posbank.com
www.posbank.com

US

California : 1230 East 223rd Street, Suite #204
Carson, CA 90745
New York : 75 Fairchild Ave. Plainview
New York 11803
Tel : +1-888-998-1767 ext. 103~104
Fax : +1-310-513-1362
e-mail : sales@posbankusa.com
www.posbankusa.com

Europe

Via Piersanti Mattarella, 32, 30030, Gardigiano,
Venezia, Italy
Tel : +39-041-583-0594
Fax : +39-041-583-0595
e-mail : sales@posbank.eu
www.posbank.eu

Copyright © 2016 Posbank Co.,Ltd.

Posbank and the Posbank logo are trademarks of Posbank in the United States and other countries. All trademarks are the property of their respective owners. Intel, Celeron, Core are registered trademarks of Intel Corporation in the U.S. and other countries. Microsoft, Windows 7, Windows 8.1 and POS Ready 7 are registered trademarks of Microsoft Corporation in the U.S. and other countries. Posbank shall not be liable for technical or editorial errors or omission contained herein. The information in this publication are informational purposes only and may be altered or amended by Posbank. All statements regarding Posbank's direction and intent are subject to change or withdraw without notice. Specifications may change without prior notice.