

Type B Outstation (HF-OS)



Description

The Type B Outstation (HF-OS) is designed to fully comply with BS5839 for use as a Fire Telephone system, Disabled Refuge Call system or as a combined system when both Fire Telephones and Disabled Refuge Points are required.

The Type B Outstation is designed to be versatile, compact and an easy to use Refuge Call Point.

Type B Outstations can only be used where the background noise is below 40dBA (therefore there can be no sounder or Voice Alarm coverage in the area).

JS-OS

The JS-OS is an addressable jack socket that can be surface mounted and is equipped with an LED indication which lights up when called from the control panel.

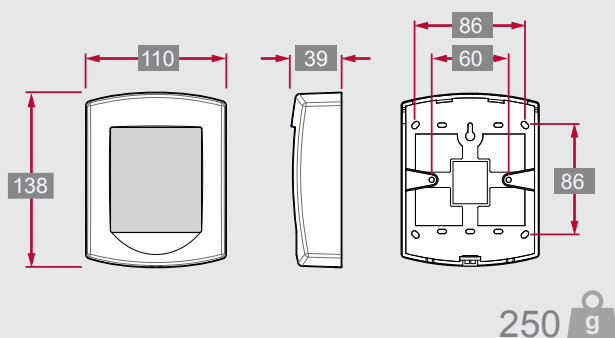
Also available is JS-THS, a telephone handset with jack plug for use with JS-OS .







Technical Specification

Model	HF-OS	JS-OS
Part No.	195-320	195-325
Standby Current	2mA	
Off Hook Current	40mA max	
Line Voltage Standby	24Vdc	
Operating Temperature	< 50°C	
Relative Humidity	< 90% RH	
Dimensions (mm)	138 (H) x 110 (W) x 39 (D)	
Weight	250g	200g

Dimensions (mm) & Weight (g)



Features

-  Surface mount compact enclosure
-  Full duplex operation allowing 2 way voice communication
-  Status LED
-  High volume ringer