

7: THE POWER OF THE VIGILON LOOP

Interfaces

Interfaces are used to link the fire alarm system to other plant management devices such as sprinklers and security systems. They can also be used to link to a zone of conventional detectors.

The Vigilon system can accommodate a high capacity of single channel interfaces on the loop operating both inputs and outputs.

The loop powered four channel interface range has individually sectored outputs with channel 1 set as a loop powered zone module.

All interfaces are seen by the panel as one address although each input/output can have a separate label displayed at the panel.

Interfaces are either powered from the loop or require a separate mains supply. The mains power version has its own battery backup.

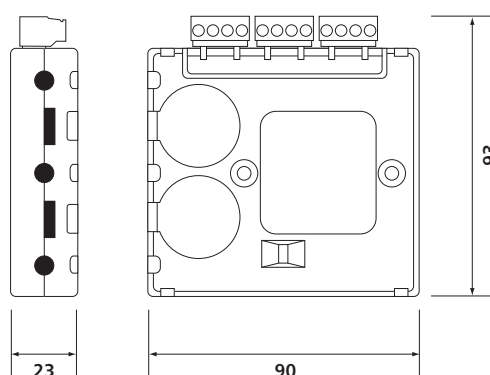


Single Input and Four Channel Input/Output Interfaces

Key Operated Interface

| TECHNICAL SPECIFICATION | | | | | |
|-------------------------|---|--|------------------------------|---|------------------------|
| Type | Low Voltage Input/Output Range | | | Output Interface (Mains) | Key Operated Interface |
| | Single Input S4-34410 | Four Channel Input/Output (I/O) S4-34450 | Single Input/Output S4-34420 | S4-34415 / S4-34411 | S4-34418 |
| Approx Weight | 92g | 100g | 100g | DIN mountable: 138g PCB with cover in metal box: 800g | 110g |
| Operating Temperature | -10°C to +60°C | | | | -25°C to +70°C |
| Relative Humidity | Up to 95% – Temperature +5°C to +45°C (Non condensing) | | | | |
| Ingress Protection | IP31 for plastic box S4-34490, IP40 estimated for metal box S4-34492 | | | Metal box – IP40 estimated | IP43 |
| Device Load factor | Load Factor 1-4 switch inputs = 1 (maximum 200 per loop) 1-4 relay outputs = 2 (maximum 200 per loop only 8 individually sectored) Zone Input = 26 (maximum 30 per loop) Every LED output = + 5 (maximum 100 LED outputs per loop) | | | 5 (maximum 200 devices per loop) | 1 |
| Panel Compatibility | Compatible with Loop = V3.93 / V4.35 and Main Control Card = V3.94 / V4.37 | | | | |
| Approvals | Approval EN54-17: 2005 and EN54-18: 2005 | | | LPCB | EN54-17 pending |

Dimensions (mm)



ORDER CODES

| | |
|-------------------------------------|----------|
| Single Input Interface | S4-34410 |
| Four Channel Input/Output Interface | S4-34450 |
| Single Input/Output Interface | S4-34420 |
| DIN rail mount bracket | S4-34491 |
| Key operated Interface | S4-34418 |
| 12-Input Interface | S4-34412 |

7: THE POWER OF THE VIGILON LOOP

Interface Enclosures



Interface Enclosure (Metal)



Large Interface Enclosure (Plastic)



Small Interface Enclosure (Plastic)

The Vigilon Interfaces are generally supplied without enclosures. A range of enclosures are available if required to house them.

ORDER CODES

| | |
|-------------------------------------|----------|
| Interface Enclosure (Metal) | S4-34492 |
| Large Interface Enclosure (Plastic) | S4-34490 |
| Small Interface Enclosure (Plastic) | S4-34493 |