

## 7: THE POWER OF THE VIGILON LOOP

### Interfaces

Interfaces are used to link the fire alarm system to other plant management devices such as sprinklers and security systems. They can also be used to link to a zone of conventional detectors.

The Vigilon system can accommodate a high capacity of single channel interfaces on the loop operating both inputs and outputs.

The loop powered four channel interface range has individually sectored outputs with channel 1 set as a loop powered zone module.

All interfaces are seen by the panel as one address although each input/output can have a separate label displayed at the panel.

Interfaces are either powered from the loop or require a separate mains supply. The mains power version has its own battery backup.

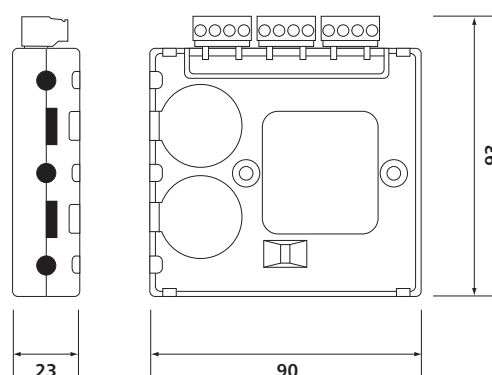


Single Input and Four Channel Input/Output Interfaces

Key Operated Interface

TECHNICAL SPECIFICATION					
Type	Low Voltage Input/Output Range			Output Interface (Mains)	Key Operated Interface
	Single Input S4-34410	Four Channel Input/Output (I/O) S4-34450	Single Input/Output S4-34420	S4-34415 / S4-34411	S4-34418
Approx Weight	92g	100g	100g	DIN mountable: 138g PCB with cover in metal box: 800g	110g
Operating Temperature	-10°C to +60°C				-25°C to +70°C
Relative Humidity	Up to 95% – Temperature +5°C to +45°C (Non condensing)				
Ingress Protection	IP31 for plastic box S4-34490, IP40 estimated for metal box S4-34492			Metal box – IP40 estimated	IP43
Device Load factor	Load Factor 1-4 switch inputs = 1 (maximum 200 per loop) 1-4 relay outputs = 2 (maximum 200 per loop only 8 individually sectored) Zone Input = 26 (maximum 30 per loop) Every LED output = + 5 (maximum 100 LED outputs per loop)			5 (maximum 200 devices per loop)	1
Panel Compatibility	Compatible with Loop = V3.93 / V4.35 and Main Control Card = V3.94 / V4.37				
Approvals	Approval EN54-17: 2005 and EN54-18: 2005			LPCB	EN54-17 pending

#### Dimensions (mm)



#### ORDER CODES

Single Input Interface	S4-34410
Four Channel Input/Output Interface	S4-34450
Single Input/Output Interface	S4-34420
DIN rail mount bracket	S4-34491
Key operated Interface	S4-34418
12-Input Interface	S4-34412



7: THE POWER OF THE VIGILON LOOP

Interface Enclosures



Interface Enclosure (Metal)



Large Interface Enclosure (Plastic)



Small Interface Enclosure (Plastic)

The Vigilon Interfaces are generally supplied without enclosures. A range of enclosures are available if required to house them.

**ORDER CODES**

Interface Enclosure (Metal)	S4-34492
Large Interface Enclosure (Plastic)	S4-34490
Small Interface Enclosure (Plastic)	S4-34493