

# Fyreye MkII Addressable Smoke Detectors

(MKII-AOP, MKII-AOH)









## Description

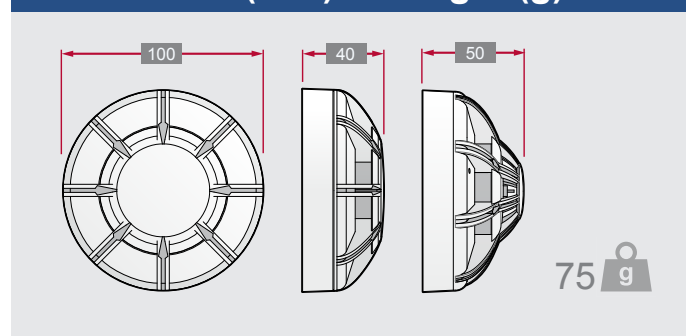
The Fyreye MKII optical smoke detector (MKII-AOP) uses a pulsing IR LED & photodiode to detect IR scatter caused by smoke entering the chamber.

The detector is particularly suitable for detecting optically dense smoke, involving materials such as soft furnishings, PVC, plastic, foam and all similar materials which produce small visible particles (0.5 to 10µm).

## Features

-  Designed to meet EN54 requirement
-  Lockable to base to stop unauthorised removal
-  Remote LED output
-  8 LEDs for improved, 360° visibility
-  Compatible with all Fyreye MkII bases
-  Addressed with dip switches or hand-held programmer

## Dimensions (mm) & Weight (g)



## Technical Specification

Model	MKII-AOP	MKII-AOP/B	MKII-AOH	MKII-AOH/B
Part No.	80-210	80-210/B	80-216	80-216/B
Detector Class	Optical Smoke		Combined Smoke & Heat A1	
Design Standard	EN54 part 7		EN54 parts 5 & 7	
Approval	LPCB			
Operating Voltage	17 to 28V DC			
Quiescent Current	500µA			
Alarm Current @ 24V DC	5mA			
Operating Temp. (°C)	-10 to +50°C		-10 to +50°C	
Min. Continuous Temp.	0°C			
Max. Humidity	95% RH non-condensing			
Alarm Condition	0.09dB/m to 0.11dB/m		0.09dB/m to 0.12dB/m Fixed heat trigger @ 57°C	
Coverage	100m <sup>2</sup>		100m <sup>2</sup>	
IP Rating	IP43			
Start-up Time	10 Seconds			
Size (with Base)	100 x 49 mm		100 x 59 mm	
Weight (with Base)	75g (133g)			
Remote Output	5mA at 24VDC			

# Fyreye MkII Addressable Heat Detectors

(MKII-AHF, MKII-AHF/CS90, MKII-AHR)



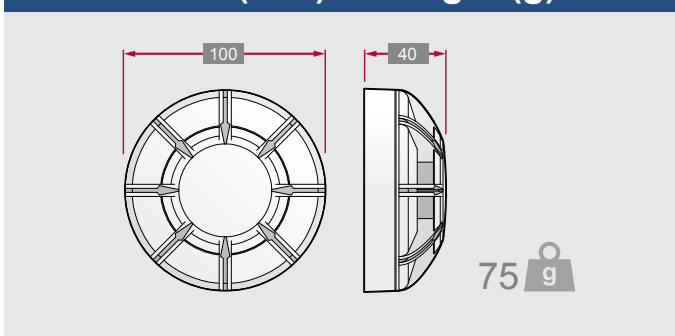
## Description

The Fyreye MKII Rate of Rise heat detector (MKII-AHR) uses a thermistor arrangement to sense a quick rise in temperature and also a final threshold temperature of 57°C. The Fyreye fixed heat detector (MKII-AHF) has a single thermistor arrangement that gives an alarm at a temperature of 57°C, where the MKII-AHF/CS90 gives an alarm above 86°C.

## Features

- Designed to meet EN54 requirement
- Lockable to base to stop unauthorised removal
- Remote LED output
- 8 LEDs for improved, 360° visibility
- Compatible with all Fyreye MkII bases
- Addressed with dip switches or hand-held programmer

## Dimensions (mm) & Weight (g)



## Technical Specification

Model	MKII-AHF	MKII-AHF/B	MKII-AHF/CS90	MKII-AHF/CS90/B	MKII-AHR	MKII-AHR/B
Part No.	80-214	80-214/B	80-218	80-218/B	80-212	80-212/B
Detector Class	Fixed Heat Only A2S		Fixed Heat Only CS		Rate of Rise & Fixed Heat Detector A1R	
Design Standard	EN54 part 5		EN54 part 5		EN54 part 5	
Approval	LPCB					
Operating Voltage	17 to 28V DC					
Quiescent Current	500µA					
Alarm Current @ 24Vdc	5mA					
Operating Temp. (°C)	-10 to +50°C		-10 to +80°C		-10 to +50°C	
Min. Continuous Temp.	0°C					
Max. Humidity	95% RH non-condensing					
Alarm Condition	Fixed heat trigger @ 57°C		Fixed heat trigger @ 90°C		Rate of rise or fixed heat trigger @ 57°C	
Coverage	50m <sup>2</sup>		50m <sup>2</sup>		50m <sup>2</sup>	
IP Rating	IP43					
Start-up Time	10 Seconds					
Size (with Base)	100 x 49 mm		100 x 49 mm		100 x 49 mm	
Weight (with Base)	75g (133g)					
Remote Output	5mA at 24VDC					