

## Packaging (Standard)

- Power cable
- SOS cable
- 4PIN relay
- Protective film
- External camera (optional)

### SIM card:

Must use the **Micro SIM Card**.



Note: Do not use a Micro-Nano combined SIM, as contacts on the card slot may be damaged when you plug out the SIM.

## LED

### Power Indicator-RED

●	Solid red	ACC ON & Positioning success
●	0.1s ON & 10s OFF	ACC OFF
○	Off	Power not connected

### GPS Indicator-GREEN

●	Solid green	ACC ON & Positioning succeeds
●	0.1s ON & 1s OFF	Searching GPS
○	Off	ACC OFF

### GSM Indicator-BLUE

●	Solid blue	ACC ON & Connected with platform
●	0.1s ON & 1s OFF	ACC ON & No network & No SIM card
○	Off	ACC OFF

## Specifications

Category	Item	Specification	Remark
Hardware	CPU	ARM Cortex A53 1.4GHz	
	OS	Android 8.1 GO	
	Memory	1GB+16GB	
	Standard Version	GSM: 850/900/1800/1900 WCDMA: 850/900/1900/2100 4G FDD: B1 B3 B5 B7 B8 B20 TDD: B38 B39 B40 B41	
American Version	GSM: 850/900 1800/1900 WCDMA: B2 B4 B5 B8 FDD: B2 B3 B4 B5 B7 B12 B17 TDD: B38 B40 B41 (100M)		

Note: The difference in Standard Version and American Version lies in hardware. It is recommended to debug by version.

Function	Item	Specification	Remark
Function	DVR	Full HD 1080P	H.264 encoding, Loop recording, MP4
	WiFi	802.11 b/g/n	Frequency 2.4GHz, hotspot
	Bluetooth	Data transferring	
	Remote monitoring GPS tracking		PC Platform: <a href="http://www.tracksolid.com">www.tracksolid.com</a> APP: Tracksolid
Camera	Live view	In-car/front-car live video via APP or Web	RTMP live stream
	Main Camera	Full HD 1080P, adjustable viewing angle 120° support dual-recording	
	Sub Camera	720P viewing angle 100°	

Function	G-Sensor	√	
	Gyroscope	√	
	GPS module	√	
	MIC	√	Built-in speaker 2030, MIC D4.0*1.5
	Speaker	√	
Power	TF card	Max 128GB	
	USB data interface	√	Micro USB 5 Pin
Size	Supply Voltage	DC 12-24V	Working temperature -20°C~ +70°C
	Dimension	109*69*52mm	
	Weight	225g	

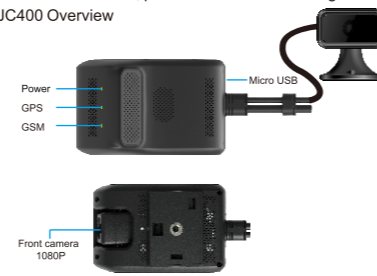
## Operations

Note: You are advised to install the device based on the model and accessories you purchased.

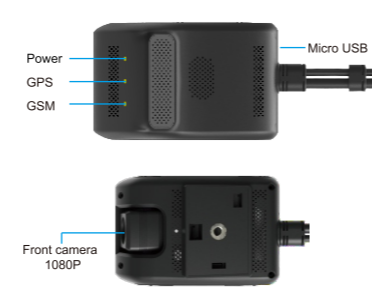
### 1. JC400 & JC400S Installation

For JC400 and JC400S, please refer to the following instructions.

#### 1.1 JC400 Overview



#### 1.2 JC400S Overview

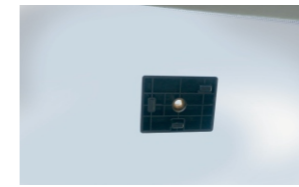


#### 1.3 Device Installation

- Select a proper installation position, and clean and dry it.
- Tear the protective film off the 3M sticker on the mount base. Then attach the mount base to the glass window.



- Press the mount base tight to the glass window to ensure the contact surface is flat.



- Connect the device to the mount base.



#### 1.4 External Camera Installation

You can install the external camera according to your actual requirements. Or you can install it by the following two methods.

##### A. Mount onto the windshield:

- Select a proper position. You can mount it to a position on the windshield that is above the rearview mirror with the camera facing inward. Before installation, make sure the device is online and open Tracksolid to check the real-time video. If the video quality meets your requirements, this position is recommended.

- Wipe the selected position clean, remove the 3M sticker, and then attach the device.
- Use a screwdriver (supplied) to tighten the screw of the camera head, so it stays at a fixed angle.



##### B. Mount onto the dashboard:

- Select a proper position. You can mount it to the middle of the dashboard with the camera facing inward. Before installation, make sure the device is online and open Tracksolid to check the real-time video. If the video quality meets your requirements, this position is recommended.
- Wipe the selected position clean, remove the 3M sticker, and then attach the device. You can fixate it with screws if necessary.
- Use a screwdriver (supplied) to tighten the screw of the camera head, so it stays at a fixed angle.



### 2. JC400D Installation

For JC400D, please refer to the following instructions.

#### 2.1 JC400D Overview



#### 2.2 Device Installation

Please refer to 1.3.

#### 2.3 Device Installation

- Select a proper installation position. The middle of the dashboard is recommended or you can install it under the A-pillar on the driver side.
- Wipe the selected position clean.
- Fixate the camera to the dashboard with screws.
- Adjust the camera so the lens faces the driver. Then perform image calibration with the calibration tool (APP).
- After the calibration is complete, tighten the joint of the installation bracket.



#### 3. Calibration Tool Download



Android

#### 4. Power On

When the device is powered off: Insert the TF card (class 10 or above, max 128GB) and Micro-SIM (SIM card needs to be able to access GSM 850/900/1800/1900 or WCDMA 850/900/1900/2100 network or 4G FDD: B1/B3/B5/B7/B8/B20 or TDD: B38/B39/B40/B41)

Connect the power cable B+ and GND to the vehicle battery's positive pole +12V and the negative pole respectively. ACC is connected with the vehicle ignition signal. The device powers on automatically after the vehicle engine is started.

If ACC is OFF, the device is in sleep mode.

#### 5. DVR

- ACC ON: Device runs and records automatically.
- ACC OFF: Video recording is not available. Device is in sleep mode.
- Storage: Video footage will be saved in SD card every 3 minutes. Normally, footage is saved in DVR/MEDIA/CarRecorder/GENERAL/ForwardCam. (main camera) DVR/MEDIA/CarRecorder/GENERAL/InwardCam. (sub camera)

When SD card is full, previous records will be overwritten.

If the internal storage space is less than 800MB, there will be a voice prompt. If strong vibration detected (crash), the recording time will be 15s longer and footage will be saved to DVR/MEDIA/CarRecorder/EVENT. Memory of the folder EVENT is 1GB. Records in EVENT will be cyclically overwritten.

There will be voice prompt in every 5 minutes if the device has no TF card, damaged TF card or insufficient memory.

#### 6. Live Video Streaming

- Remote live video via APP or Web.

#### 7. WiFi Hotspot

- ACC ON: Hotspot is default OFF. Hotspot name is the IMEI while the password is the last eight digits of IMEI.
- ACC OFF, Hotspot off.

#### 8. Vibration Alarm

- ACC ON: Vibration Alarm will stop immediately.
  - ACC OFF:
- 5 minutes delay and vibration alarm will be turned on. If vibration is detected, the device will alarm in 10s.

If ACC is ON within 10 seconds, the alarm will be canceled and vibration alarm will be turned off.

If ACC is not ON within 10 seconds, the device will alarm for 30 seconds and alarm LED will flicker quickly. At the same time, push notifications will be sent to APP.

As soon as the ACC is ON, the alarm will end and vibration alarm will be turned off.

The alarm should not be triggered by vibration in 1 minute after the alarm shut down, and the vibration alarm function will be activated 1 minute later.

#### 9. SOS Alarm

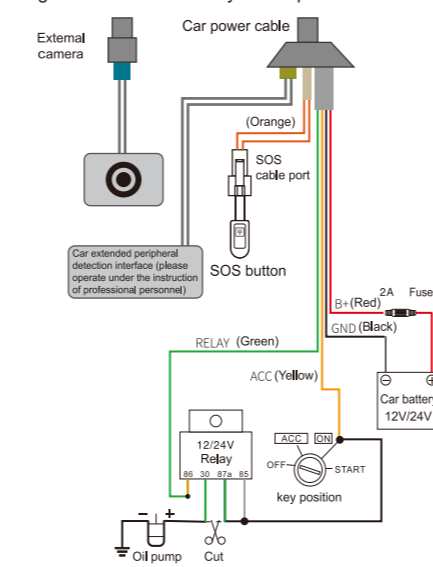
- Firstly, set the SOS numbers by APP. Press and hold the SOS button for 3 seconds to call the 3 pre-set SOS numbers circularly till one of them is answered.

#### 10. Remote Fuel/Power Cutoff

- Condition: The device is positioned and the vehicle's speed is less than 20KM/h. Following the below wiring instruction:
- Send command by APP to cut off the fuel/power.

Wiring Instruction on Remote Petrol/Fuel Cutoff.

#### Wiring Instruction of remotely cut off petrol/fuel



#### Operation condition

Before operation, please ensure the device is positioning and the car speed is less than 20KM/h. Connect the wires according to the above instruction, and send command to cut off petrol/fuel by APP.

- The standard power supply of the device is 12V DC. Please use the original power cord provided by the manufacturer. The red cable is the positive pole of the power supply and the black is the negative pole of the power supply. The negative power supply (black) should be connected to the ground.
- The ACC wire (yellow) is connected to the ACC of the vehicle for ignition/ACC detection.
- The petrol/fuel cut-off control wire (green line) of the device is connected to Pin 86 on the relay (i.e. thin yellow line on the relay socket)

#### 11. Monitoring

Open [www.tracksolid.com](http://www.tracksolid.com) or Tracksolid APP.

Enter account name and password to login. Devices bound, IMEI, and other related information can be viewed on the page.

#### 12. Precaution

- Ensure the power is securely installed, as the device may stop working due to poor contact with the power when the vehicle is in violent collision.
- You are advised to purchase and install an external battery if you require the device to operate normally in extreme conditions.

#### 13. Platform/APP

Coupled with functions like real-time tracking, playback, remote snapshot and video, monitoring, geo-fence and multiple alerts, Tracksolid APP keeps an eye on your vehicles anytime anywhere. Please scan the QR code below to check the Platform Manual.



## Basic SMS Commands

Command	Default	Command Format	Instruction
VERSION	No	VERSION#666666	
PARAM	No	PARAM#666666	Reply: IMEI, GPS upload interval, timezone
STATUS	No	STATUS#666666	Reply: GPS signal, GSM signal, ACC status
PASSWORD	666666	PASSWORD#666666#<B>	eg: PASSWORD#666666#123456
RECOVER	999999	RECOVER#999999	Default password is 666666
RESTORE	No	RESTORE#666666	
REBOOT	No	REBOOT#666666	
ADD SOS	A	SOS#666666#A# Phonenumber# Phonenumber# Phone number	
CHECK SOS		SOS#666666	
DELETE SOS	D	SOS#666666#D# Phonenumber# Phonenumber# Phone number	
APN	No	APN#666666#<name>#<apn>#<type>#<proxy>#<port>#<user>#<server>#<password>#<mmsc>#<mmsproxy>#<mmsport>#<numeric>	Generally: we need APN: APN#666666#APNname# APNname eg: APN#666666#unim2m.gzm2mapn#unim2m.gzm2mapn

## JC400 AiVision Cam --4G GPS Tracking Camera User Manual



Version 1.1

尺寸: 77\*101 mm  
材质: 105克铜版纸  
装订方式: 风琴折

校对时间: 2020-01-02

校对对:

版本: Version 1.1