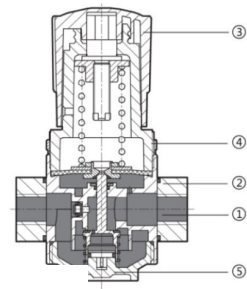


APF Pressure Regulators

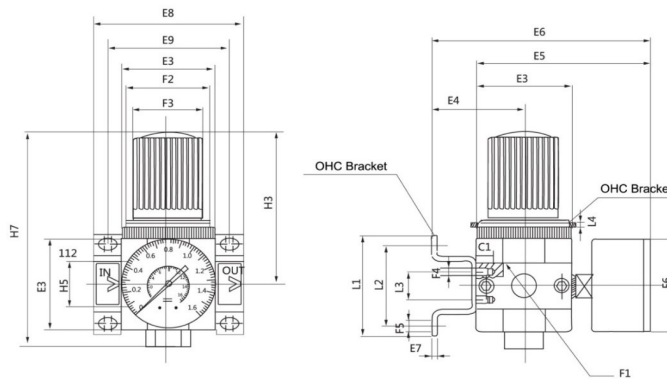
Regulators			
Standard series with bracket and gauge			
APF Code	Size	Flow cfm	Max Pressure (Bar)
APJAR2000-02	1/4"	20	12
APJAR3000-02	1/4"	53	12
APJAR3000-03	3/8"	64	12
APJAR4000-04	1/2"	142	12
APJAR5000-07	3/4"	388	12
APJAR5000-10	1"	406	12



No.	Part	Material
1	Casing	Die-Cast Zinc
2	Connecting Plate	Die Cast Aluminium
3	Adjustable Knob	POM
4	Knurled Nut	Aluminium
5	Tight Cover	Zinc Alloy



Structure



Dimensions

Model	E3	E4	E5	E6	E8	E9	F1
OR...-MINI	40	39	76	95	64	52	G1/8 G1/4 G3/8
OR...-MIDI	55	47	93	112	85	70	G1/8 G1/2 G3/4
OR...-MAXI	66	53	104	124	96/116	80/91	G3/4 G1

Model	F2	F3Φ	F4	F5Φ	F6Φ	L1	L2	L3	H1
OR...-MINI	M36×1.5	31	M4	4.5	40	44	35	11	194
OR...-MIDI	M52×1.5	50	M5	5.5	52	71	60	22	250
OR...-MAXI	M36×1.5	31	M5	5.5	63	71	60	22	252

Model	H3	H4	H5
OR...-MINI	69	17.5	20
OR...-MIDI	98	24.5	32
OR...-MAXI	80	24.5	32/40

Standard Flow Rate q_n as Function of The Output Pressure p_2

