

GECKO® SATELLITE SCM 1820S

OWNER'S MANUAL



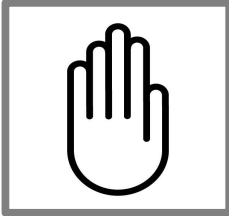
www.geckomusicgroup.com



SAFETY INSTRUCTIONS & SYMBOLS GUIDE

For your own safety and to avoid invalidation of the warranty, all text marked with these symbols should be read carefully.

SYMBOLS:



NOTES

Contain important information and useful tips on the operation of your equipment.



WARNING

The lightning flash with arrowhead symbol within an equilateral triangle, is intended to alert the user to the presence of uninsulated dangerous voltage within the product's enclosure that may be of sufficient magnitude to constitute a risk of electric shock.



CAUTIONS

The exclamation point within an equilateral triangle is intended to alert the user to the presence of important operating and maintenance (servicing) instructions in the literature accompanying the appliance. Please read the manual carefully.



HEADPHONES SAFETY WARNING

Contain important information and useful tips for headphones outputs and monitoring levels.



SAFETY INSTRUCTIONS:

- To reduce the risk of electrical shock, do not remove covers. No user-serviceable parts inside. Please refer servicing to qualified personnel.
- To reduce the risk of electrical shock or fire, do not expose the equipment to rain or moisture.
- Do not impose unnecessary stress on your equipment (i.e. placing heavy objects on it, over screwing its mounting, etc).
- Read and keep the instruction manuals in a safe place for future references.
- Do not attempt to clean the equipment with chemical solvents as this may damage the finish. Clean only with a dry cloth.
- Do not block any ventilation openings.
- Do not install near any heat sources such as radiators, heat registers, stoves, or other apparatus that produce heat.
- Do not defeat the purpose of the polarized or grounding-type plug. A polarized plug has two blades with one wider than the other. A grounding type plug has two blades and a third grounding prong. The wide blade or the grounding prong is provided for your safety. If the provided plug does not fit into your outlet, consult an electrician for the replacement of the obsolete outlet.
- Protect the power cord from being walked on or pinched particularly at plugs, convenience receptacles, and the point where they exit from the apparatus.
- Unplug the apparatus during lightning storms or when it is not in use for a long period of time.

- Use only attachments/accessories specified by the manufacturer.
- Always shut down power supply when not in use to save energy and for a prolonged lifespan.
- Exposure to extremely high noise levels may cause permanent hearing loss. Individuals vary considerably in susceptibility to noise-induced hearing loss, but nearly everyone will lose some hearing if exposed to sufficiently intense noise for a period of time. The U.S. Government's Occupational Safety and Health Administration (OSHA) and the Singapore Workplace Safety and Health Council (WSHC) has specified the permissible noise level exposures shown in the following chart. According to OSHA and WSHC, any exposure in excess of these permissible limits could result in some hearing loss. To ensure against potentially dangerous exposure to high sound pressure levels, it is recommended that all persons exposed to equipment capable of producing high sound pressure levels use hearing protectors while the equipment is in operation. Earplugs or protectors in the ear canals or over the ears must be worn when operating the equipment in order to prevent permanent hearing loss if exposure is in excess of the limits set forth here:

Duration/Day (Hours)	dB, Sound Pressure Level (SPL)	Descriptions
	Below 90dB	Safe zone
8.00	90	Hearing damage
6.00	92	
4.00	95	
3.00	97	
2.00	100	Serious hearing damage
1.50	102	
1.00	105	
0.50	110	
0.25 or less	115	Human pain threshold

GECKO MUSIC GROUP

Singapore | Malaysia | Taiwan | Philippines | Canada

Email: info@geckomusicgroup.com • Website: www.geckomusicgroup.com

FOREWORD

Dear Friends,

Thank you very much for purchasing quality products by **GECKO MUSIC GROUP**. I am very grateful that we have journeyed this far, since 2002! We have set new audio standards in the industry and we have touched and changed lives along the way! I believe our journey will not stop but continue to pursue more breakthrough findings and improvements that will change our lives for the better.

At **GECKO MUSIC GROUP** we focus on developing nothing but the best professional audio equipment and premium grade audiophile products you ever need! Our engineering team is constantly doing R&D to meet this goal. I thank God that by His grace, we have succeeded in developing the revolutionary C.R.I.S.T.A.L.® technology that has changed and is changing the way how audio is captured, encoded, reproduced and managed!

On behalf of **GECKO MUSIC GROUP**, I would like to pledge our continuing commitment to uphold our traditions in serving the music and audio communities around the world with more value-added premium quality GECKO® professional audio equipment and premium grade audiophile products!

Once again, thank you very much for your support. We trust you will love what you hear!

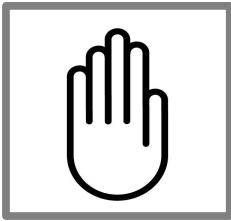
Yours truly,

A handwritten signature in black ink, appearing to read 'Daniel Foo', with a small dot at the end of the line.

Daniel Foo
Founder/Director (R&D)
GECKO MUSIC GROUP

TABLE OF CONTENTS

INTRODUCTION	1
MICROPHONE ELEMENTS	2
CONNECTING AND DISCONNECTING THE MICROPHONE	4
MICROPHONE USE	4
CLEANING	4
SPECIFICATION	5
WARRANTY	6



NOTES: Thank you for purchasing the GECKO® SATELLITE SCM 1820S active C.R.I.S.T.A.L.® Audiophile condenser microphone! We recommend that you take a moment and read through the manual as it provides information that will assist you in using your unit to its fullest potential.

INTRODUCTION

The GECKO® SATELLITE SCM 1820S is the world's first self-powered cardioid handheld condenser microphone with C.R.I.S.T.A.L.® Audiophile precision, designed to minimize the damage on your mixing console and microphone tonality change and possible noises caused by unstable +48V DC phantom power supply.

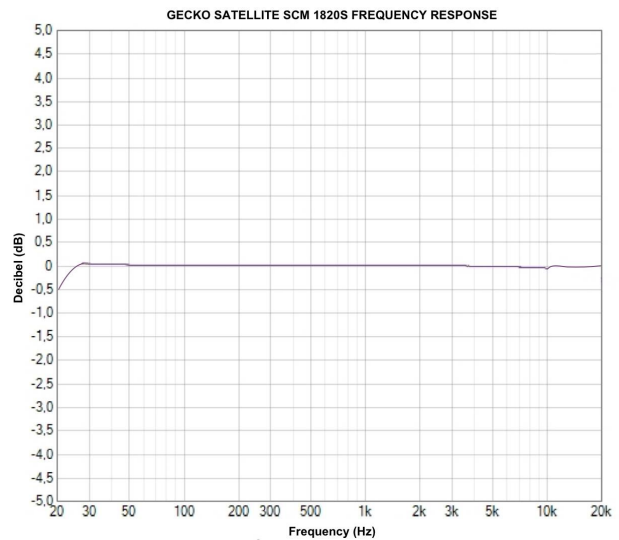
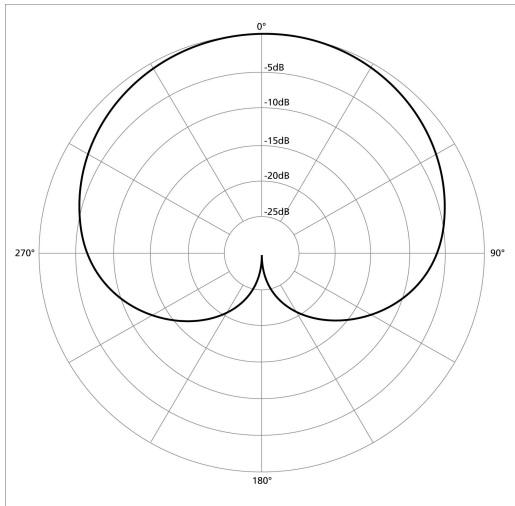
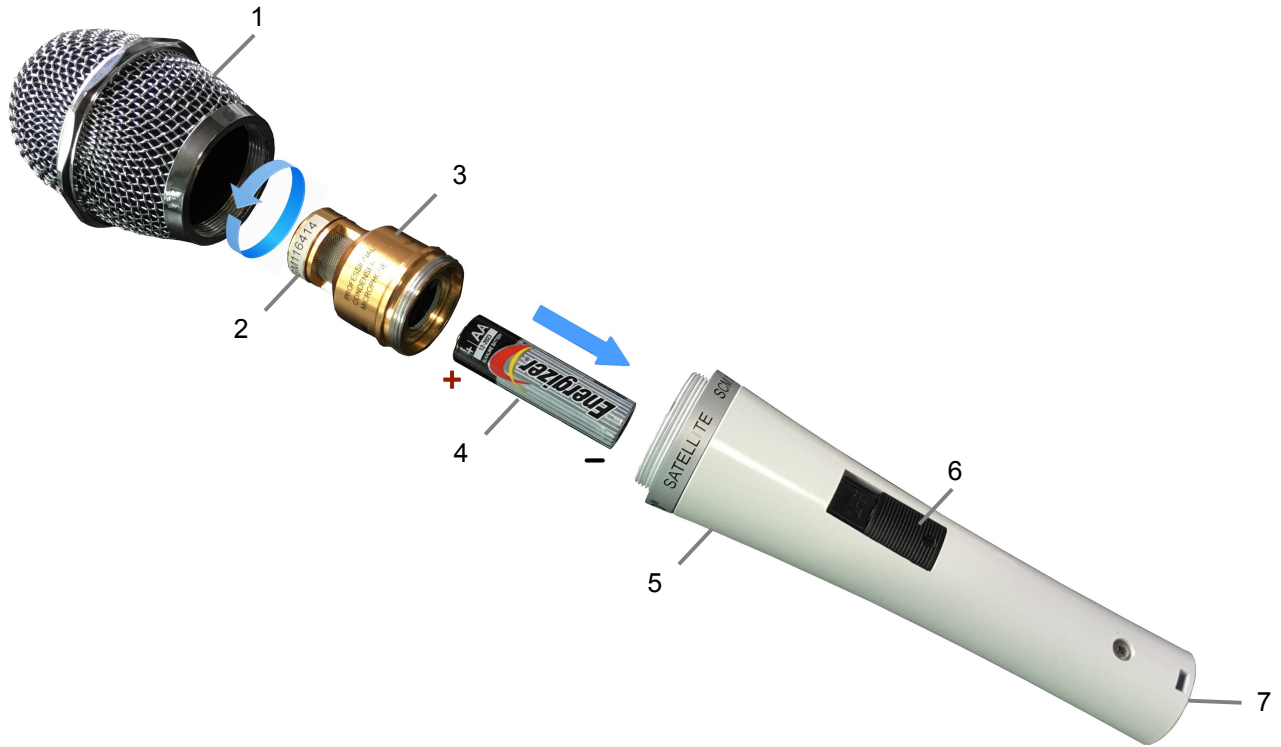
Its pristine audio quality, ultra-low handling noise, and high-fidelity clarity are made possible by C.R.I.S.T.A.L.® Audiophile back-electret condenser transducer with GECKO®'s state-of-the-art anti-shock engineering so you can enjoy effortless singing.

Highly recommended for professional vocalists and instrumentalists for both live and recording studio applications.

Features in a glance:

- Transformerless circuitry
- Excellent transparency
- High sensitivity and low self-noise
- Suitable for high SPL environments
- Low output impedance for long-distance connection and high EMI resistance
- Wide and smooth frequency response range

MICROPHONE ELEMENTS



1. ANTI-ROLL STEEL MESH GRILLE

To prevent the microphone from accidental rolling off from the hard surface and to protect the microphone capsule from possible damage caused by external factors. It is also pop-filtered from the inside to reduce the plosive effects. Rotate clockwise to tighten, and rotate counter-clockwise to remove the grille.

2. SERIAL NUMBER

Every unit of the SATELLITE SCM 1820S is assigned with a unique serial number for warranty support purposes.

3. MICROPHONE CARTRIDGE

This is the highly precise C.R.I.S.T.A.L.® Audiophile back-electret condenser microphone cartridge. Remove this cartridge to access the battery compartment for the SCM 1820S. Rotate clockwise to tighten, and rotate counter-clockwise to remove the cartridge.

4. BATTERY

The SATELLITE SCM 1820S operates on one 1.5V AA alkaline battery, with an average operating time of up to 16 days. Insert the 1.5V AA alkaline battery with the positive (+) polarity facing up and negative (-) polarity end into the compartment. When the battery is weak, the SCM 1820S will not pick up any sound. When that happens, please replace it with a fresh alkaline battery. Do not use a rechargeable battery! Please note that the SCM 1820S will not work on +48V DC phantom power.

5. DIECAST METAL BODY

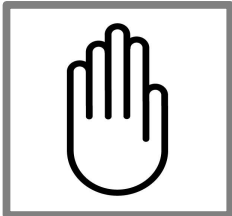
This ivory white diecast metal body is designed to eliminate microphone handling noise and to withstand on-the-road abuses for years of trouble-free use.

6. NOISELESS ON/OFF SWITCH

To power ON and power OFF the microphone.

7. INTEGRAL XLR MALE CONNECTOR

The GECKO® SATELLITE SCM 1820S has a balanced 24K gold-plated XLR (male) output.



NOTES: Use only one fresh 1.5V AA alkaline battery on the GECKO® SATELLITE SCM 1820S. Do not use a rechargeable battery! Please note that the SCM 1820S will not work on +48V DC phantom power.

CONNECTING AND DISCONNECTING THE MICROPHONE

1. Insert the XLR (female) connector on one end of the microphone cable into the microphone. If necessary, rotate the connector to align the key on the connector and the groove in the microphone. Push the connector into the microphone until it clicks.
2. Make sure you are connecting to a balanced audio device, be sure to use balanced configuration on the XLR type connectors. Pin 1 = Ground (Shield), Pin 2 = Positive (Hot), Pin 3 = Negative (Cold).
3. To unplug the connector from the microphone, press the tab before pulling the connector out from the microphone.

MICROPHONE USE

1. Set the mixer channel (channel assigned to the SCM 1820S) volume on your mixing console to minimum position or mute it if it has a mute function, and then connect the GECKO® SATELLITE SCM 1820S to the balanced XLR input of that channel on your mixing board.
2. Start off referencing by setting the mixing console channel's gain/trim all the way down and its EQ set flat. With the main stereo output faders set to 0dB position, slowly bring the assigned channel (connected with the SCM 1820S) fader up while speaking into the SCM 1820S. If you have achieved your desired volume along the way before hitting that channel's 0dB mark, leave the fader at that position, if not, continue to bring it up until you reach the channel's 0dB mark and, if it is still not loud enough, now slowly bring up the gain/trim until you get the desired level while leaving the channel fader at 0dB. Ensure that your sound reinforcement system's amplification level is set accordingly.
3. To minimize the chance of feedback (a loud howling or squealing noise), ensure that the head of the microphone is not covered by a hand or positioned close to the loudspeaker.
4. To avoid "plosives", be sure to use a pop filter or windscreen.
5. Due to the high sensitivity of the cartridge, do not drop or apply strong shock to it.
6. To maintain the sensitivity and quality of sound reproduction, avoid exposure to moisture and extreme temperatures.
7. The GECKO® SATELLITE SCM 1820S can be used for high fidelity instrument and vocal miking, i.e. lead/solo vocals, backing vocals/choir, speeches, broadcast, strings, woodwinds, brasses, percussions, orchestra, and also backline amplifiers miking.

CLEANING

MICROPHONE

Use a soft cloth moistened with water to clean only the outer surface of the microphone body and grille.

SPECIFICATION

Element:

C.R.I.S.T.A.L.® Audiophile Back-Electret Condenser

Polar Pattern:

Cardioid

Frequency Response:

28Hz ~ 20kHz

Sensitivity:

-36±3dB at 1kHz (0dB = 1mV/Pa)

Equivalent Noise Level:

≤20dB (IEC 581-5)

Max. Input SPL:

125dB (THD ≤ 1% at 1kHz)

Output Impedance:

300Ω ± 30%

Load Impedance:

≥1000Ω

Power Requirements:

1 x 1.5V AA Alkaline Battery (up to 16 days of usage time)

Switch:

Noiseless 2-Position ON/OFF

Output Connector:

Integral 24K Gold-Plated XLR Male

Included Accessories:

GECKO® SATELLITE Microphone Case, 1.5V AA Batteries (2)

Physical Properties:

Finish: Diecast Steel Body, Anti-Roll Steel Mesh Grille (Pop-Filtered)

Color: Ivory White (Body), Chrome (Anti-Roll Steel Mesh Grille) □

Net Weight: 300g

Dimension: (L) 190mm x (∅) 53.50mm

Specifications subject to change without prior notice. Manufactured under ISO9000 certified management system.

WARRANTY

GECKO MUSIC GROUP warrants its GECKO® products for a period of one (1) year from the original date of purchase, in accordance to the warranty regulations described below.

What is Covered:

During the applicable warranty period, GECKO MUSIC GROUP warrants the product against defects in materials and workmanship and against malfunctions. GECKO MUSIC GROUP will remedy all such defects and malfunctions without charge for parts or labour if the warranty applies. In the case that other parts are used which constitutes an improvement, GECKO MUSIC GROUP may, at its discretion, charge the customer for the additional cost of these parts. Final determination of warranty coverage lies solely with GECKO MUSIC GROUP.

What is Not Covered:

1. If the product needs to be modified or adapted in order to comply with applicable technical or safety standards on a national or local level, in any country which is not the country where the product was originally developed and manufactured, this modification/adaptation shall not be considered a defect in material or workmanship;
2. Normal wear and tear, in particular, of faders, crossfaders, potentiometers, keys/buttons, valves, guitar/bass strings, machine heads, pick-up covers, PVC/PU/leather covers, illuminants, and similar parts are not covered by this warranty;
3. Improper handling, neglect or failure to operate the unit in compliance with the instructions given in the user or service manuals;
4. Connection or operation of the unit in any way that does not comply with the technical or safety regulations applicable in the country where the product is used;
5. Damages/defects caused by force of nature or any other condition that is beyond the control of GECKO MUSIC GROUP;
6. Any repair or opening of the unit carried out by unauthorized personnel (user included) will void the warranty;
7. Modification or removal of serial numbers.

Obtaining Warranty Service:

To return a GECKO® product for warranty service, first fill out the [Online Technical Report](#) on this website and submit for an authorization/service number. Write the authorization/service number so that it is prominently displayed on the outside of the shipping carton. Any products received without an authorization/service number that is clearly visible upon arrival at the factory will be refused. Enclose proof of the original delivery date or a copy of the original sales receipt/invoice. Enclose a description of the suspected defect or malfunction and the condition, if any, which caused the problem. Return the product to either GECKO MUSIC GROUP or the GECKO® Store where the purchase was made. Note: Before sending back to GECKO MUSIC GROUP, you can first check with your local GECKO® Store or authorized reseller where you buy from for support.

Warranty Shipping:

You are responsible for prepaying shipping costs F.O.B. GECKO MUSIC GROUP, Singapore. Shipped product(s) must be properly packaged. Use original shipping cartons and packing materials where possible. GECKO MUSIC GROUP is not responsible for damages resulting from inadequate and or improper packing.

Products received with damages due to improper packaging will be deemed out of warranty.

Products which do not meet the terms of this warranty will be repaired exclusively at the buyer's expense. GECKO MUSIC GROUP will inform the buyer of such circumstance. If the buyer fails to submit a written repair order within six (6) weeks after notification, GECKO MUSIC GROUP will return the unit C.O.D. with a separate invoice for freight and packing. Such costs will also be invoiced separately when the buyer has sent in a written repair order.

Warranty Rights:

This warranty is exclusive and extended to the original buyer and is not transferable to anyone who may subsequently purchase this product. No other person (apart from authorized GECKO® Stores) shall be entitled to give any warranty promise on behalf of GECKO MUSIC GROUP.