

Through Beam Photoelectric Beam Sensor

Features

- Long Sensing Range: 30 meters
- IP-66 Water Proof
- N.C. / N.O. / Common Relay Output
- Terminal Block Wiring Connection
- Mounting Bracket/ Screws Included
- Tx Power Adjustment

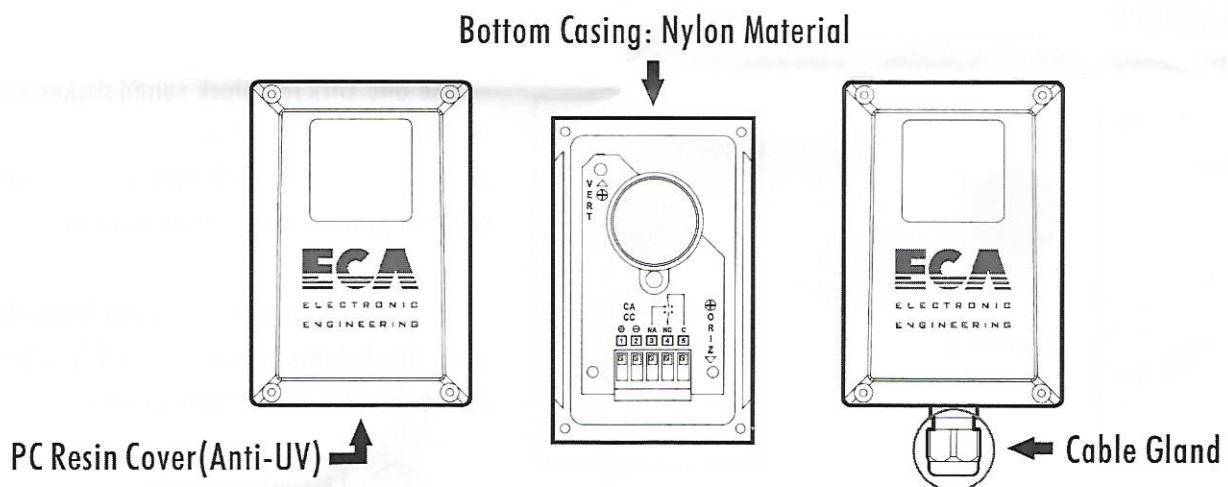
Specifications

Detection Method	Through Beam
Sensing Range	30 meters
Input Voltage	AC / DC 12 ~ 24V
Response Time	100 ms
Emitting Element	IR LED
Operation Indicator	Red Led(Rx): On (when beam is broken), Green (Tx): On
Dimensions	59mm(w) × 87mm(h) × 38 mm(t)
Output Method	Relay Output
Current Consumption	Tx: 37mA / Rx: 30mA (when beam aligned properly) Tx: 37mA / Rx: 15mA (when beam is broken)
Contact Current	1A / 120VAC
Illumination	Lamplight < 10,000 Lux ; Sunlight < 30,000 Lux
Connection Method	Terminal Block
Noise Resistance	1500Vp-P / 1us
Surge Resistance	2KV / 1uS
Vibration Resistance	10 ~ 55Hz / 1.5mm, 2 Hour In X.Y.Z. Phase
Housing Material	Casing : Nylon Cover : PC resin
Operating Temp.	-20°C ~ 60°C
Water Proof	IP-66
Safety Standard	CE

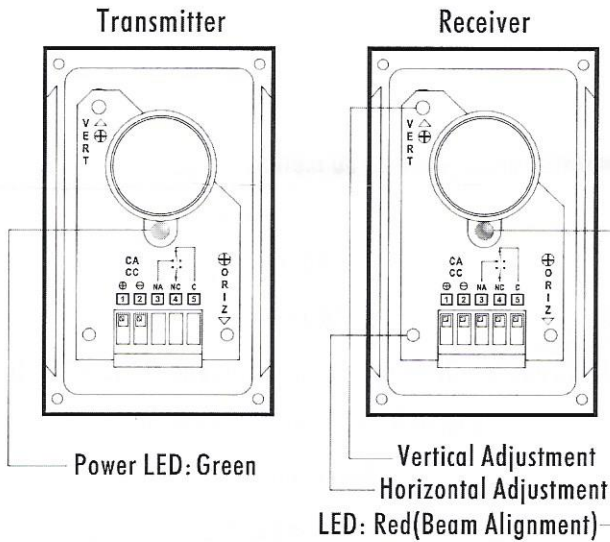
Applications

- Gate or Garage Door
- Overhead Doors
- Conveyer
- Door Entrance
- Parking Lot
- Alarm System

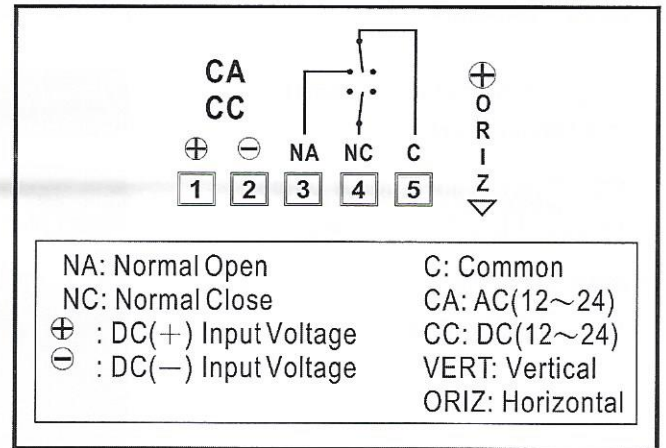
Front View



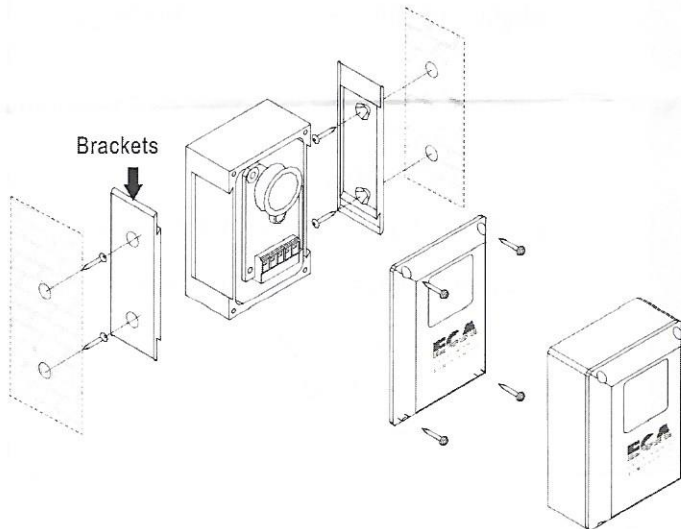
Internal View



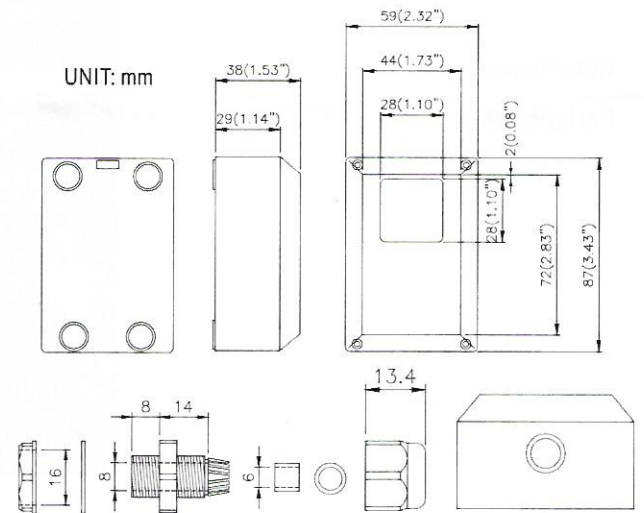
Wiring Connection Diagram



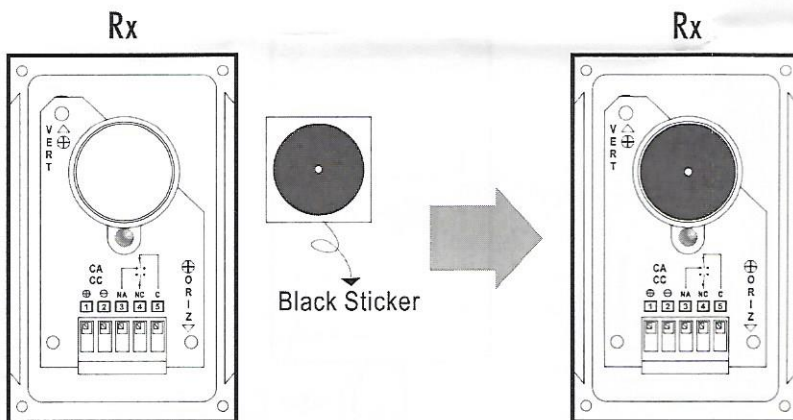
Standard Installation



Dimensions



Trouble shooting



Use and stick the black round sticker onto the Rx lens when more than one pair of ECA3001 photo sensors are used next to each other, in order to prevent intervention between the pairs.

It is also recommended to use these stickers, when the distance between Rx and Tx is less than 3m to achieve better and effective sensitivity.



Manufactured by: