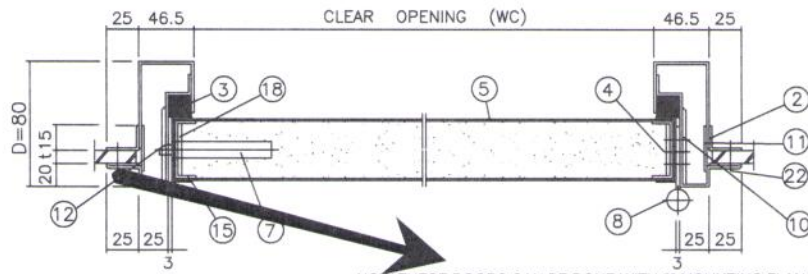
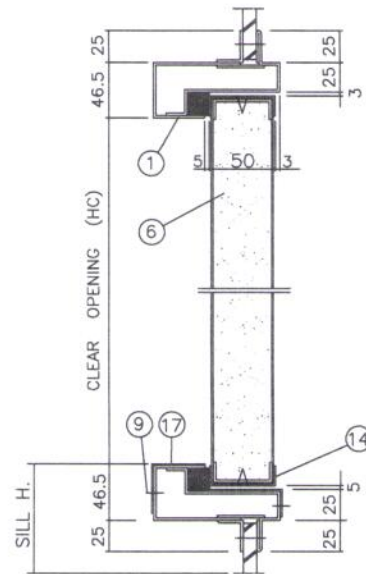
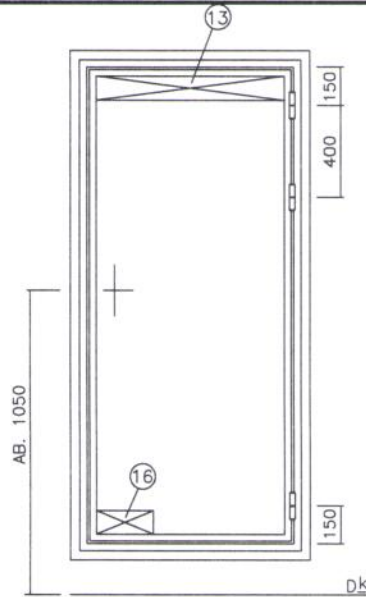


UNLIMITED MARINE MFG INC
 2637 - W - 76 ST
 HIALEAH, FLORIDA 33016

BUS-305-420-6034

A-O DOOR DWG.



NOW THESE DOORS CAN BE DONE WITH 2" MOUNTING FLANGE AS WELL.

MARK	NAME	MAT'L	Q'TY	SIZE	REMARK
1	FRAME PLATE	SPCC	1ST	1.6t	
2	FITTING ANGLE	SPCC	1ST	1.6t	
3	DOOR BUMPER	CERAMIC	1ST	20x20	
4	MACHINE SCREW	SUS	24PC'S	M5x12	
5	DOOR PANEL	SPCC	1ST	0.8t	
6	INSULATION	HI-WOOL	1ST	#120	
7	LOCK		1ST		
8	HINGE	SUS	3ST	127m/m	
9	POP RIVET	AL	1ST	Ø3.2	
10	REINF. FOR HINGE	SS400	1ST	4.0t	
11	STIFFENER	SPCC	1ST	1.6t	
12	REINF. FOR LOCK	SS400	1ST	4.0t	
13	REINF. FOR CLOSER	SS400	1ST	2.0t	BOTH SIDE
14	EDGE CHANNEL	SPCC	1ST	1.0t	
15	STIFFENER	SPCC	1ST	1.6t	
16	REINF. FOR HOOK	SS400	1ST	2.0t	
17	SILL PLATE	SUS304	1ST	1.0t	
18	DOUBLE PLATE	SS400	1ST	4.0t	
22	R/H MACHINE SCREW	SUS	1ST	M5x30	HEX. NUT

UNLIMITED MARINE MFG. KINGS OF CUSTOM MANUFACTURING.



Unlimited Marine Mfg Inc.
2637- W - 76 st
Hialeah, Florida.33016

BUS-305-420-6034



FLUSH



SQUARE LIGHT



SINGLE LIGHT

THESE ARE ALL A-0 AND B SERIES DOORS.



ROUND LIGHT



FLANGED LOUVER



FRAMED LOUVER



LOW LOUVER



ROSE PORT



HINGED OR
FIXED SHIELD

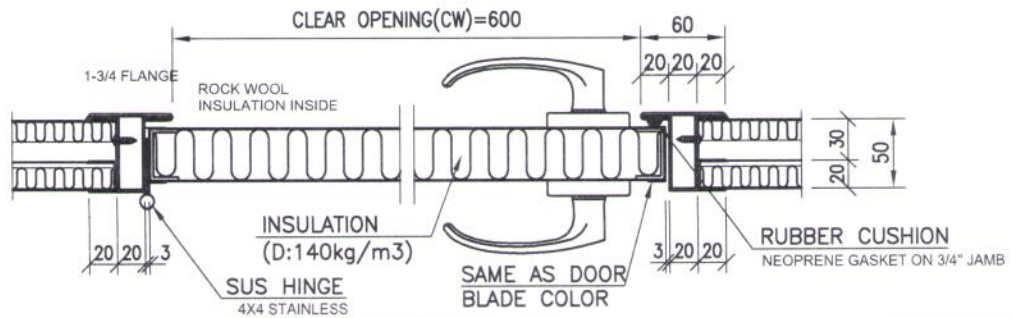
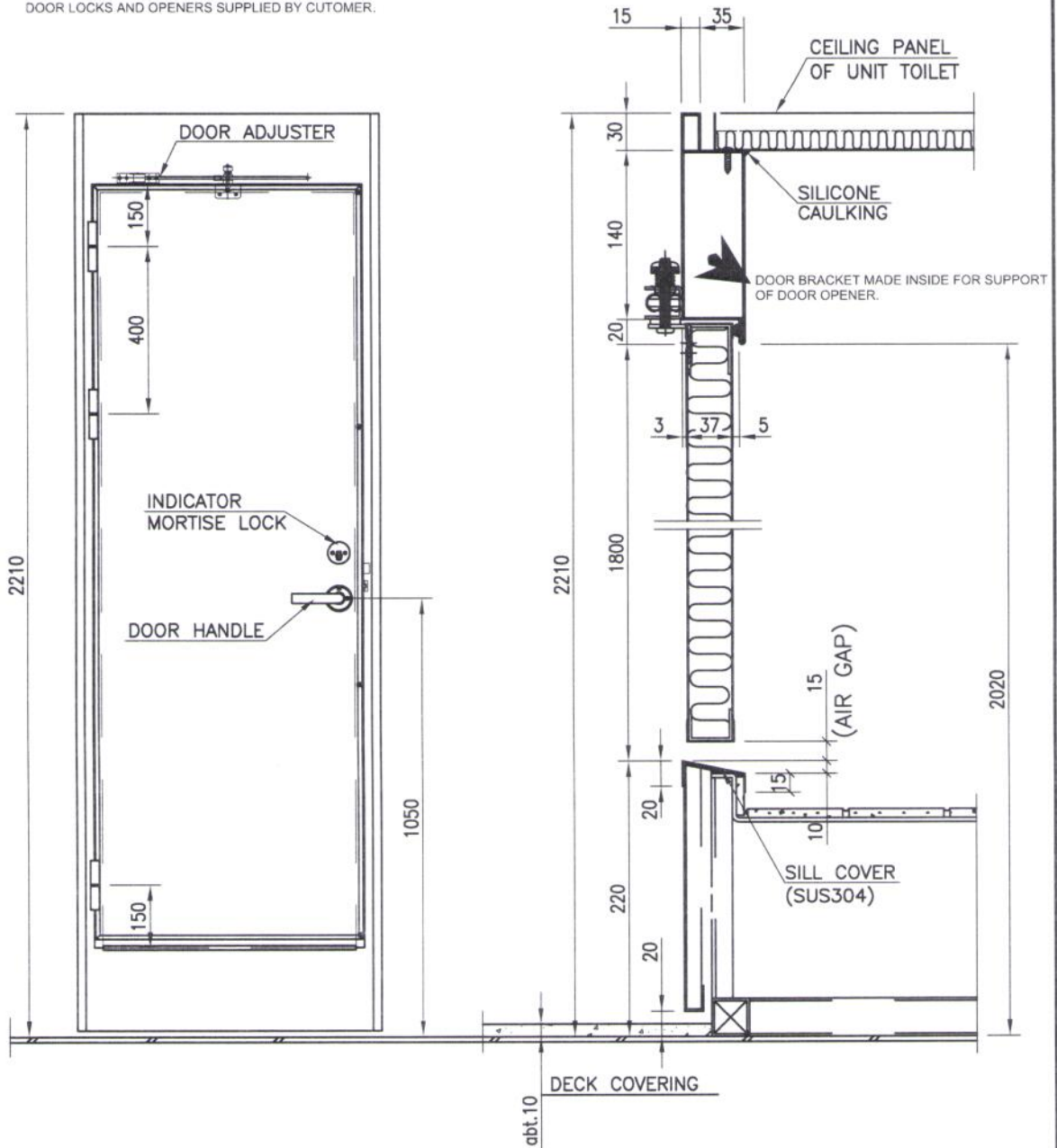
UNLIMITED MARINE MFG. INC.
Manufactures of Custom Marine Windows & Doors

(305) 420-6034



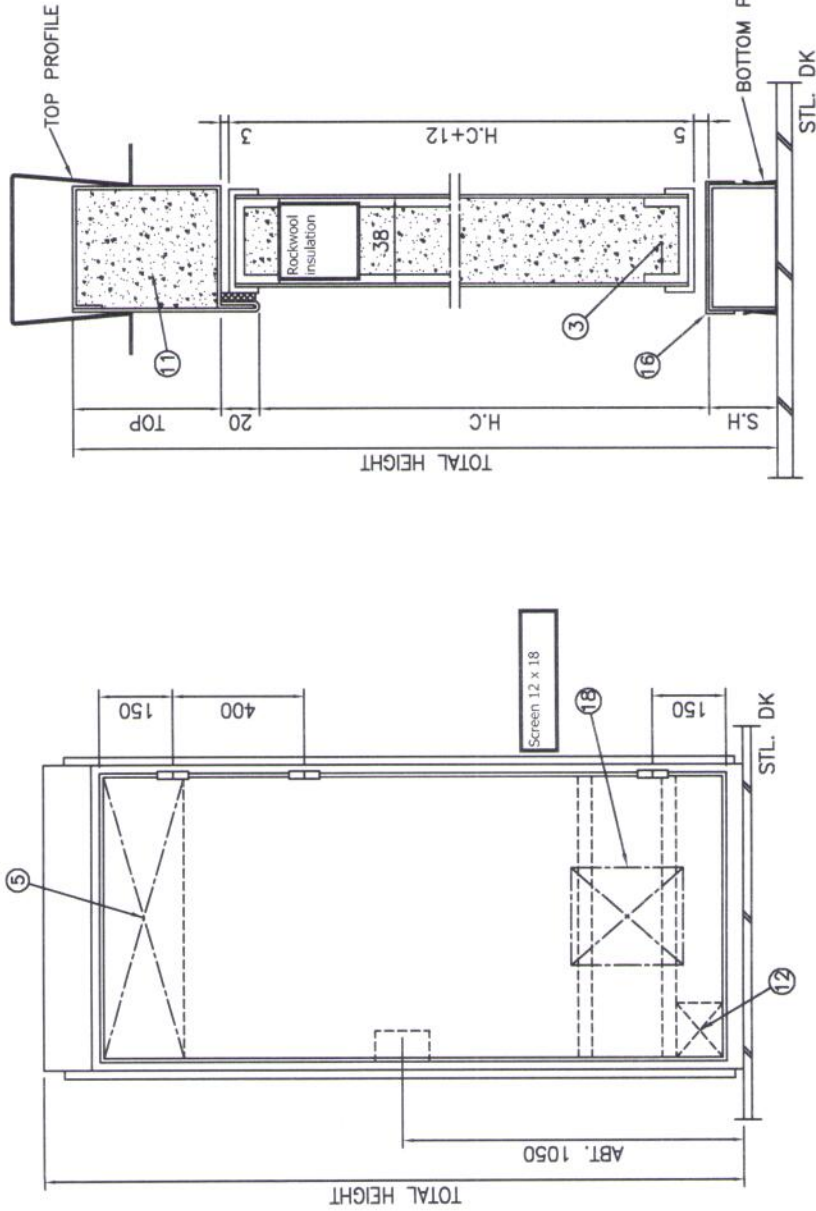
OUTSIDE OPEN TYPE

DOOR LOCKS AND OPENERS SUPPLIED BY CUTOMER.

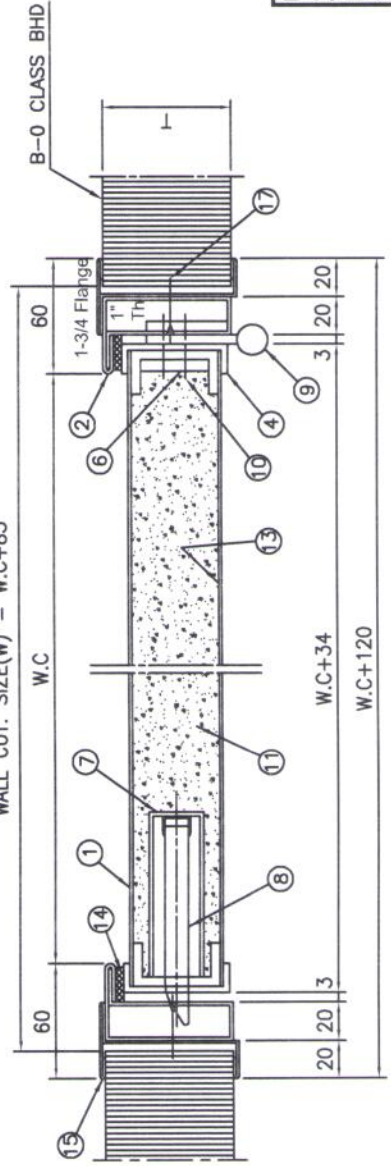


NO.	DESCRIPTION	MATERIAL	Q'TY	SIZE	REMARK
1	DOOR PANEL	SGCC	1 ST	0.6T	18-G
2	FRAME	SPOC	1 ST	1.6T	Can be made Thicker
3	STIFFENER	SPHC	1 ST	2.3T	
4	EDGE COVER	SGCC	1 ST	0.6T	
5	DOUBLING PLATE	SPHC	1 ST	2.3T	100H
6	DOUBLING PLATE	SPHC	3 ST	4.0T	
7	LOCK CASE	SPHC	1 ST	2.3T	
8	LOCK SET	SUS304	1 ST		
9	HINGE	SUS304	3 ST	3.0T	
10	MACHINE SCREW	SUS304	24EA	M5x15	
11	INSULATION	MINERAL WOOL		140K	
12	DOUBLING PLATE	SPHC	1 ST	2.3T	100x100
13	ADHESIVE				
14	CUSHION	NEOPRENE	1 ST	3Tx10	
15	FITTING PROFILE	SGCC	1 ST	1.0T	
16	SILL COVER	SUS304	1 ST	1.0T	
17	TAPPING SCREW	SUS304	1 ST	M4x40	YARD SUPPLY
18	VENT or K.O.P		1 ST		OPTION

DOOR NO.:



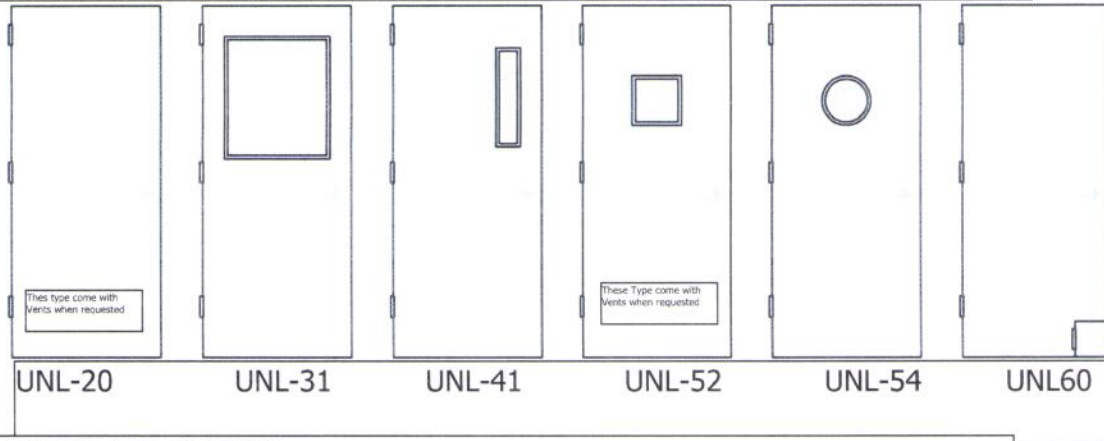
WALL CUT. SIZE(W) = W.C.+85



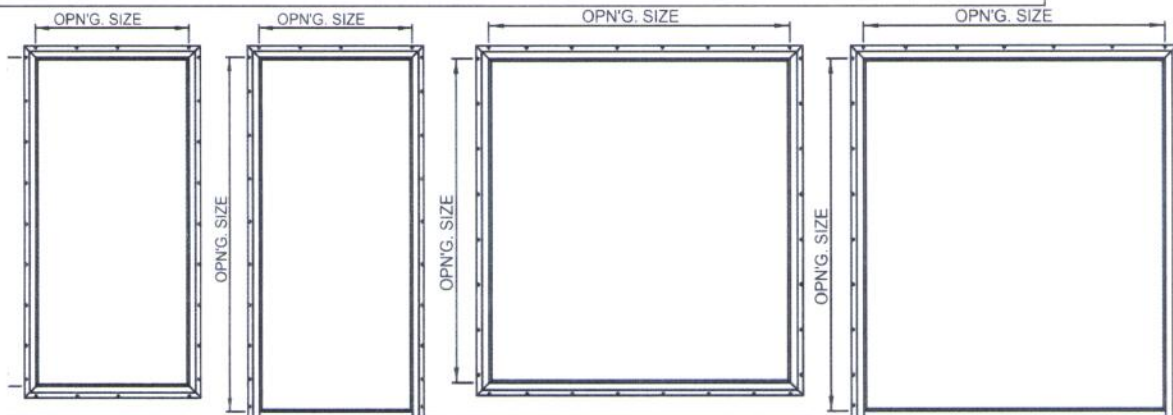
FRAME -B-0-/B-15 50MM- THICK
1-3/4 TO 2"

This dwg. is RH(RO, L) shown, LH(LO, R) is symmetrical.
 Unlimited Marine Mfg Inc.
 2637 - W - 76- st.
 Hialeah, Fla. 33016
 305-420-6034

OUR DOOR TYPES AND DESIGN. A-0/A60/B-0-B-15
 HINGES ARE MODIFIED TO MEET IMO,ABS,USCG REGULATIONS

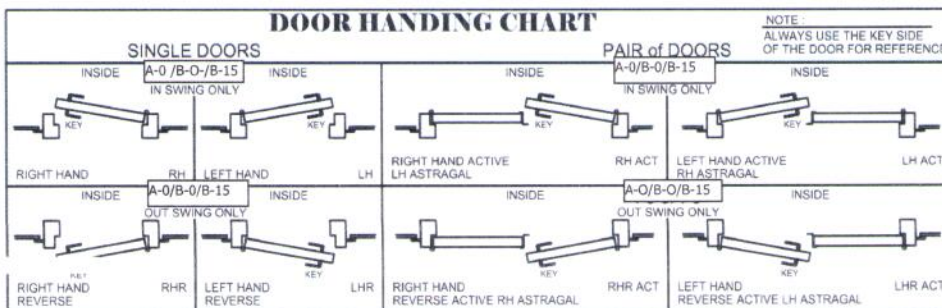
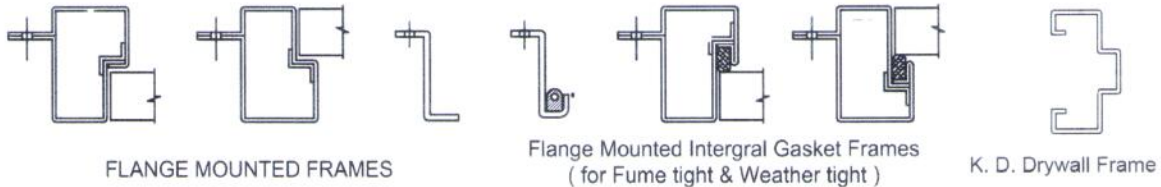


FRAME TYPES AND DESIGN



BOTTOM VIEW IF SILL IS NEEDED CAN BE PROVIDED.

1-1/4 FLANGE	1-1/4 FLANGE	1-3/4 TO 2" FLANGE	1-1/4 FLANGE	1-1/4 FLANGE	16 GAUGE
-----------------	-----------------	-----------------------	-----------------	-----------------	----------



ALL OUR DOORS COME WITH ROCKWOOL INSULATION. FIRE RATING OF 120 MIN.

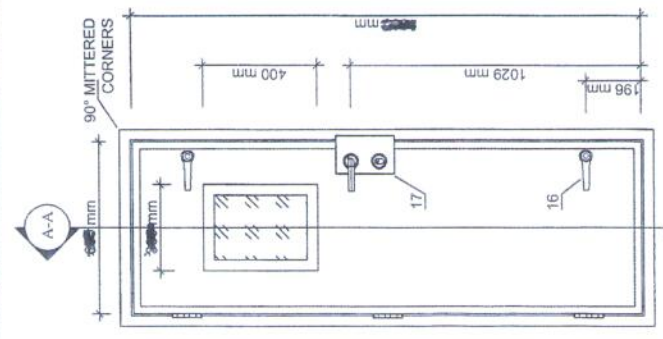
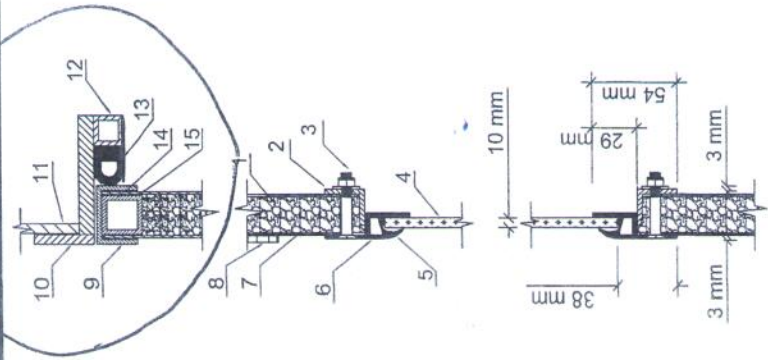
UNLESS REQUESTED BY CUSTOMER WE CAN PGRADE THE ROCKWOOL INSULATION.

B-0 AND B-15 DOORS COME IN 1-3/4 THICKNESS WITH 3/4 JAMB AND NEOPRENE SEALS ON JAMB.

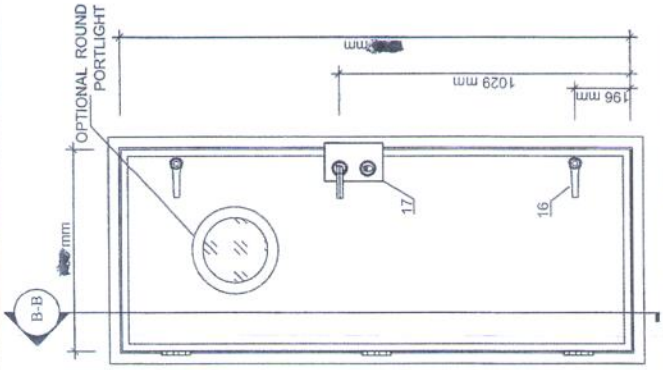
A-0 DOORS COME IN 1-3/4 AND 2" THICK WITH 3/4 JAMB WITH A SPECIAL FIRE SEAL.

DOGS CAN BE MADE STEEL / ALUMINUM

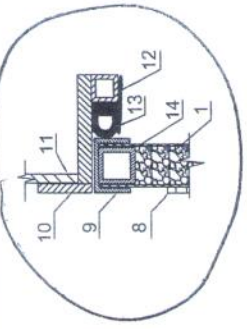
with Dogs OR without Dogs - Windows OR without Windows



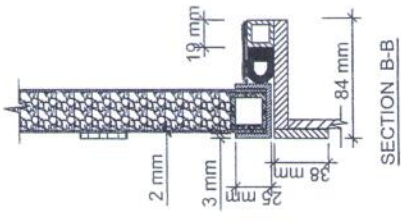
TUG DOORS FRONTAL VIEW
(1029 mm x 196 mm CLEAR OPENING)



BARGE DOORS FRONTAL VIEW
(1029 mm x 196 mm CLEAR OPENING)



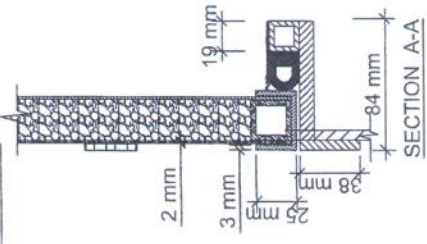
EXTERIOR



SECTION B-B

ITEM No.	QTY.	DESCRIPTION	MATERIAL
17	2		STAINLESS STEEL
16	2	LOCK DOWN DOGS	ALUMINUM
15	-	DOW CORNING # 795, BLACK	SILICONE SEALANT
14	-	SQR. TUBE 25 mm x 25 mm x 3 mm	6063-T4
13	-	GASKET	EPDM SPONGE
12	-	19 mm x 19 mm x 3 mm JAMB-UNIT	6063-T4
11	-	BULKHEAD	STEEL
10	-	FRAME	STEEL
9	-	CHANNEL 38 mm x 25 mm x 3 mm	6063-T4
8	3	HINGES TYPE BOOK	STAINLESS STEEL
7	-	2 mm SMOOTH PLATE	6063-T4
6	-	MOUNTING FLANGE	6063-T4
5	-	GASKET	URETANE SEALS
4	-	10 mm SINGLE GLASS	TEMPERED GLASS
3	-	FLAT HD. SCREW 6 mm-20 x 41 mm W(1) LOCK NUT	STAINLESS STEEL
2	-	TWING RING L 25 mm x 25 mm x 3 mm	6063-T4
1	-	INSULATION <i>ROCKWOL</i>	FOAM

EXTERIOR



SECTION A-A

CUSTOMER APPROVAL

COMPANY: _____

CHARGE: _____

SIGNATURE: _____ DATE: _____

THIS DRAWING SUPERSEDES ALL DOCUMENTS.

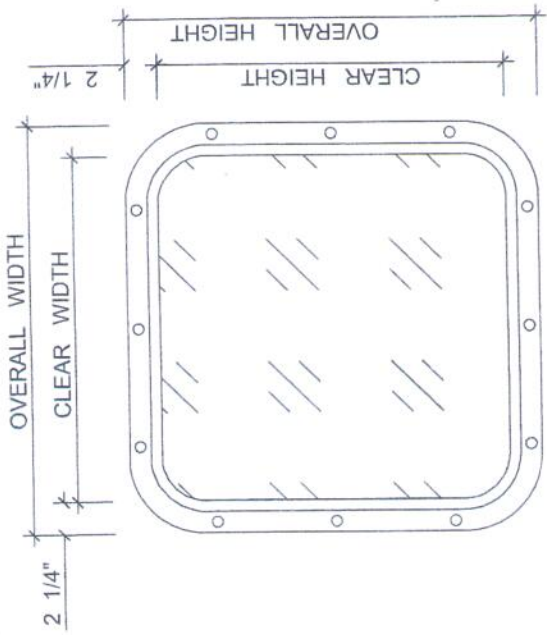
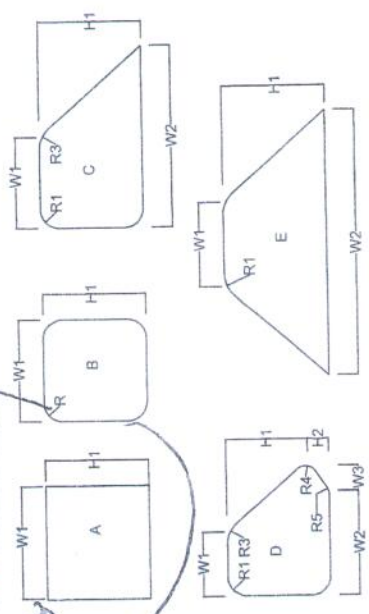
By signing this approval you accept and agree that the dimensions and details shown are correct and property for your application, regardless of any differences between this drawing and contract specifications.

UNLIMITED MARINE MFG. INC.
Manufacturers of Custom Marine Windows & Doors

ABS
ISO 9001
IMCO

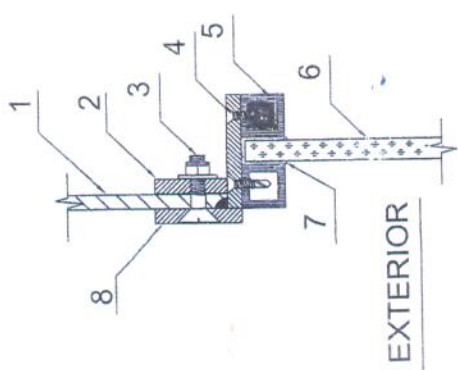
(305) 420-6031

MITRED CORNERS
 CAN BE MADE IN
 STEEL, ALUMINUM, AND
 STAINLESS
 STEEL FRAME

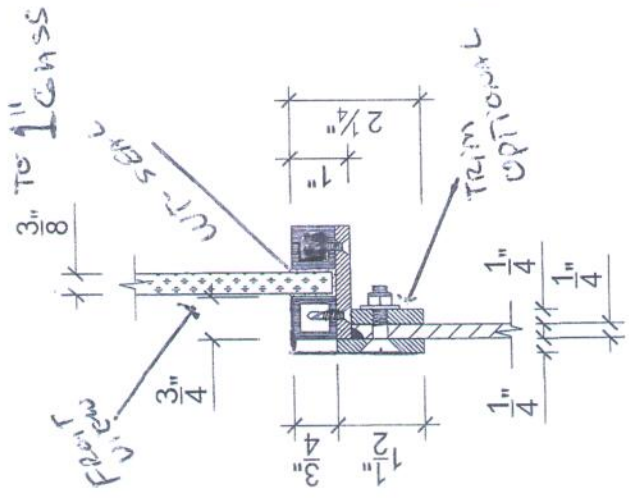


WINDOW FRONTAL VIEW

OPTIONAL 1/4" STEEL
 HEAVY DUTY 3/8" STEEL



EXTERIOR



CROSS SECTION

GENERAL CHOICES

- WINDOW DESIGNED:
 - LIGHT DUTY
 - HEAVY DUTY
- FRAME ASSEMBLIES:
 - ALUMINUM
 - MILD STEEL
 - BRASS
- FRAME FINISHES:
 - WHITE, BLACK, BRONZE, SILVER, PRIMERS AND OTHERS.
- FRAME CORNERS:
 - MITRED AND RADIUS
- GLASS:
 - TEMPERED GLASS THICK 1/4" TO 1 1/2"
 - TEMPERED GLASS COLORS




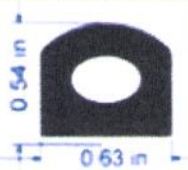


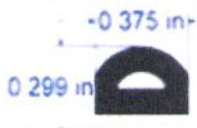





ITEM No.	QTY.	DESCRIPTION	MATERIAL
8	-	MOUNTING FLANGE	
7	-	DOW CORNING # 795, BLACK	
6	-	3/8" SINGLE GLASS 10 1/4"	
5	-	3/4"x3/4"x1/8" JAMB-UNIT	
4	-	FLAT HEAD SELF TAPPING SCREW #10-24x3/4"	
3	-	FLAT HEAD SCREW 1/4"-20 x 1 1/4" W/(1) LOCK NUT	
2	-	TWIM RING 1/4"x1 1/4"	
1	-	BULKHEAD 1/4"	

UNLIMITED MARINE MFG. INC.
 Manufactures of Custom Marine Windows & Doors

(305) 420-6034

SEALS FOR
Proposed DOORS

A-O

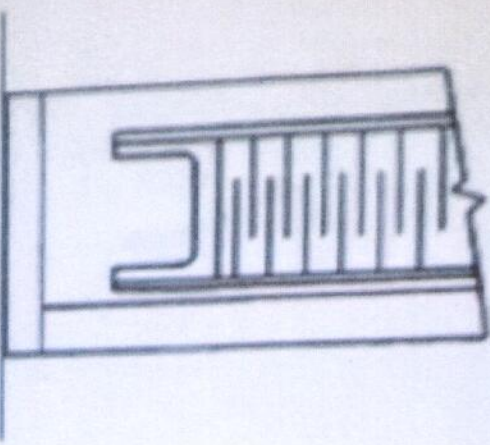
 <p>0.187 in 0.413 in</p> <p><u>030-56 Black</u></p>		 <p><u>1793T Black</u></p>	 <p><u>2006544 Black</u></p>	 <p>0.54 in 0.63 in</p> <p><u>50512 Black</u></p>
 <p><u>51769-HATS-SP Black</u></p>	 <p>0.625 in 0.425 in</p> <p><u>5243 Black</u></p>	<p>WEATHERTIGHT</p>	 <p>0.375 in 0.299 in</p> <p>✓ B-O</p> <p><u>TP-1153B-HATS-SP Black</u></p>	 <p>0.27 in 0.229 in</p> <p><u>8526 GREY</u></p>
	 <p><u>R201606A Black</u></p>	 <p>0.417 in 0.308 in</p> <p><u>TP-1026 Black</u></p>	 <p>0.373 in 0.384 in</p> <p><u>TP-124 White</u> <u>TP-124 Black</u></p>	 <p>0.672 in 0.444 in</p> <p><u>TP139 White</u> <u>TP139 Black</u></p>

UNLIMITED MARINE MFG. INC.
Manufacturers of Custom Marine Windows & Doors

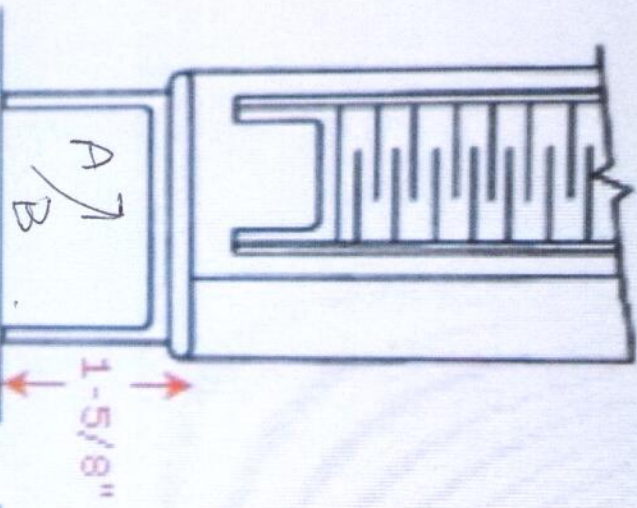
(305) 420-6034




NO SILL

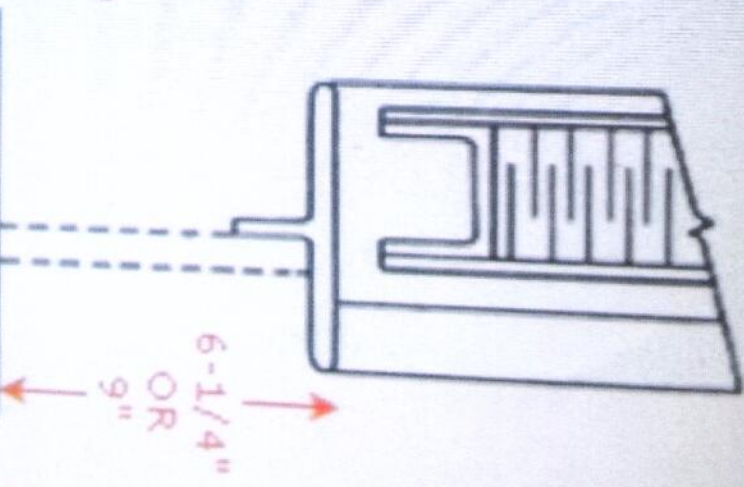


TYPE A SILL



REQUIRED THIS

TYPE T SILL



TYPE F SILL

