

Introduction

AH421, unipolar Hall effect switch, designed with Bipolar technology, is south sensitive unipolar Hall Effective switch and includes on-chip Hall element voltage generator, a voltage regulator for operation with supply voltages of 3.8 to 30V, reverse voltage protection, temperature compensation circuitry, small-signal amplifier, Schmitt trigger and an open-collector output.

The sensor is designed to respond to South poles. While the magnetic flux density(B) is larger than operate point Bop, the output will be turned on with low output level. Then the output is held until the magnetic flux (B) is lower than release point Brp. The output will be turned off with high output level.

AH421 offers a variety of packages, including TO-92, SOT-23. All packages are RoHS compliant.

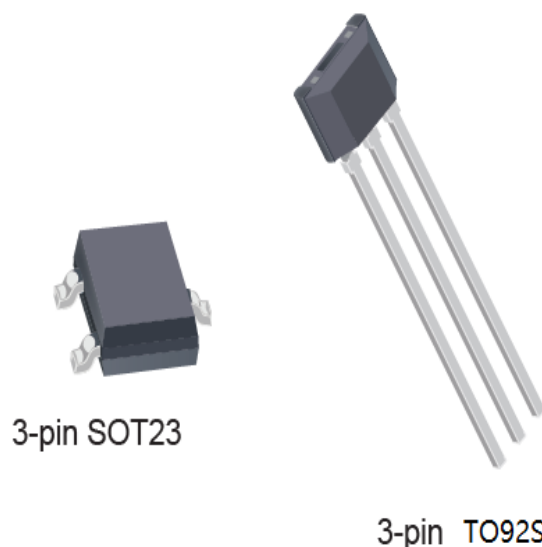
Features

- Miniature construction
- High sensitivity of 60/40 Gauss (typ.)
- Wide voltage range of 3.8 Vdc to 30 Vdc
- Temperature range of -40 °C to 125 °C
- Open Collector Output

Applications

- BLDC Motor Commutation
- Flow sensor
- Position sensor
- Speed sensor
- Proximity sensor

Package



Ordering information

Part number	Package	Packing	Ambient, T _A
AH421	TO92S	Bulk, 1000 pieces/bag	-40°C to 125°C
AH421	SOT23	Tape&Reel, 3000 pieces/reel	-40°C to 125°C

Pin assignment

Pin number	Name	Function
1	VDD	Power supply
2	GND	Ground
3	Vout	Output

Absolute Maximum Ratings

The absolute maximum value is the limiting value when the chip is applied, above which the chip can be damaged. Although the function of the chip is not necessarily damaged when the absolute maximum value is exceeded, the reliability of the chip may be affected if the absolute maximum value is exceeded for a certain time.

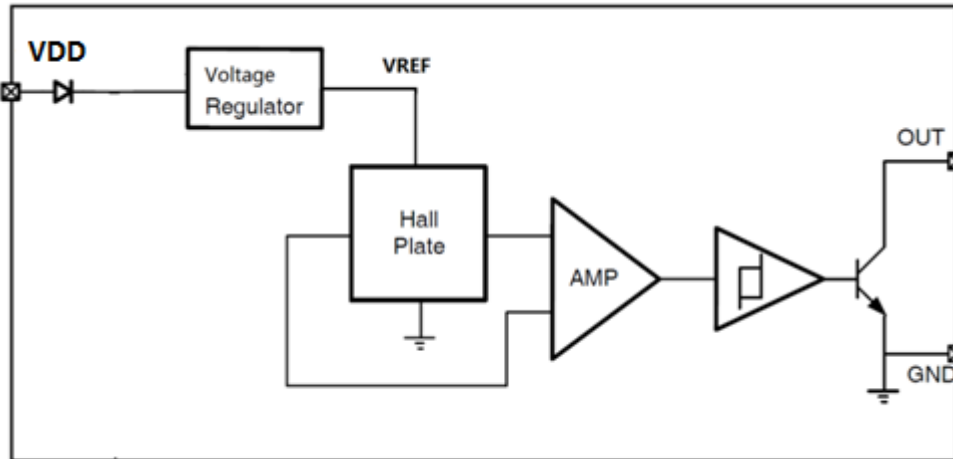
Parameter	Symbol	Value	Units
Supply voltage	VDD	70	V
Reverse voltage	VDD	-60	V
Output Sink Current	I _{sink}	40	mA
Output Voltage	Vout	70	V
Operating temperature range	T _a	-40~125	°C
Storage temperature range	T _s	-40~165	°C

Electrical and magnetic characteristics ($T_a=25^{\circ}\text{C}$, $V_{DD} = 5.0\text{V}$)

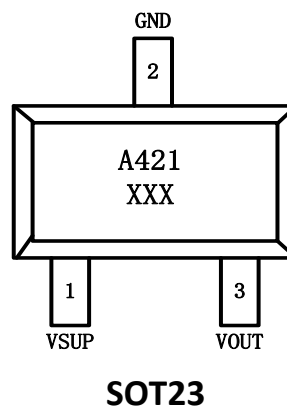
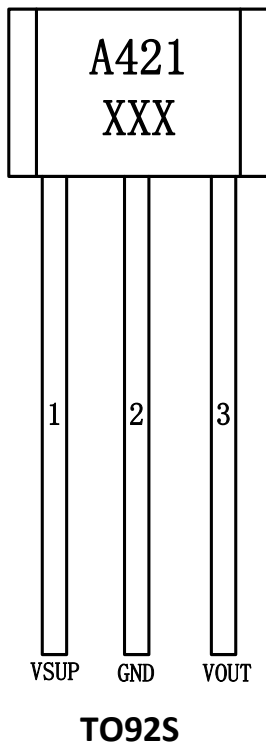
Parameter	Symbol	Test Conditions	Min	Typ	Max	Units
Electrical characteristics						
VDD	Operating voltage		3.8		30	V
IDD	Supply current			6	7	mA
I _{le}	Leakage current	Off condition			10	uA
V _{sat}	Saturation voltage output	I _{out} =20mA, On condition			0.4	V
T _r	Output rising time	Pullup resistor =1kohms, Load cap=20pF			1	uS
T _f	Output falling time	Pullup resistor =1kohms, Load cap=20pF			1.5	uS
Magnetic characteristics						
B _{op}	Operate point	Pullup resistor =1kohms, Load cap=20pF		60		Gauss
B _{rp}	Release point	Pullup resistor =1kohms, Load cap=20pF		40		Gauss
B _{hys}	Hysteresys	Pullup resistor =1kohms, Load cap=20pF		20		Gauss

Function diagram

AH421, unipolar Hall Effect switch, designed with Bipolar technology, includes on-chip Hall element voltage generator, a voltage regulator for operation with supply voltages of 3.8 to 60V, reverse voltage protection, temperature compensation circuitry, small-signal amplifier, Schmitt trigger and an open-collector output.



Pin orientation

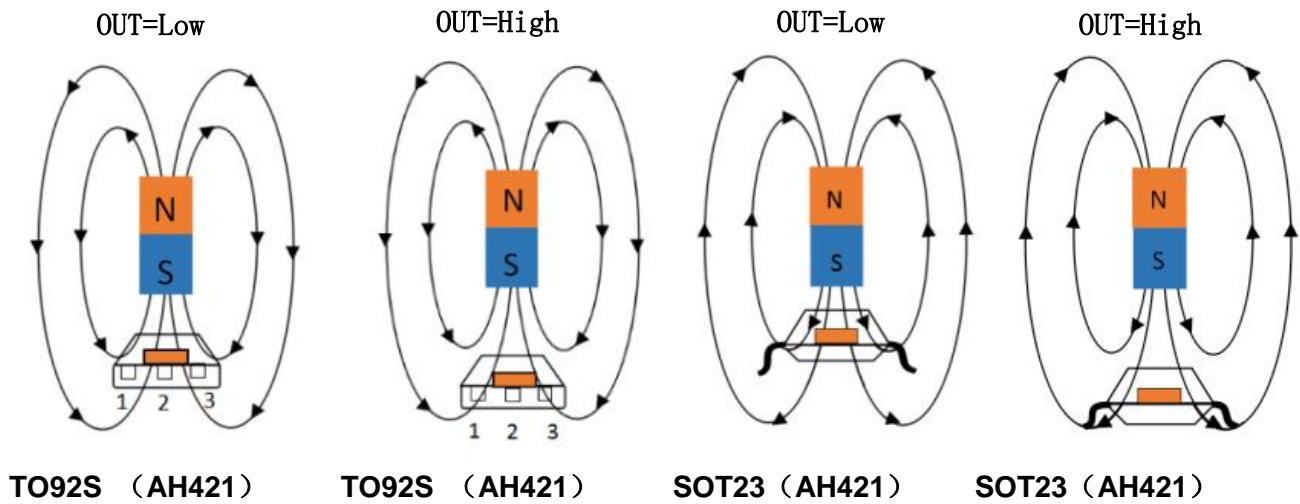


Pin description

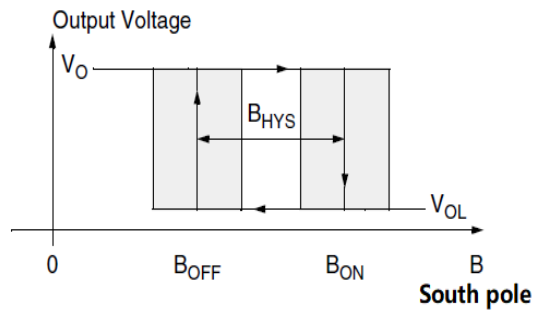
Name	Pin number	Description
VDD	1	Power supply
GND	2	Ground
Vout	3	Output

Application example: VDD =5V

A positive magnetic field is defined as a South pole near the marked side of the package.



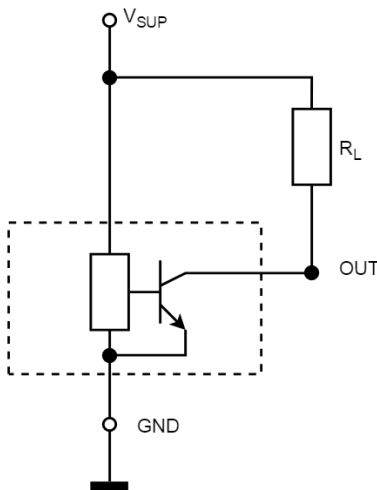
Output Behavior



AH421 output behavior

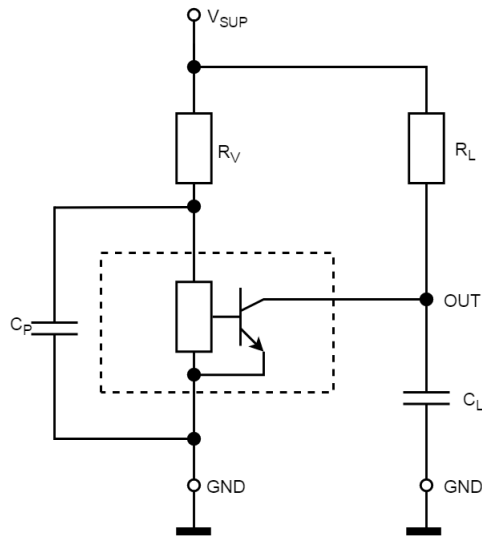
Application Circuits

Typical application circuit (see the following circuit) $R_L = 4700$ ohms



Case 1 of typical application circuit

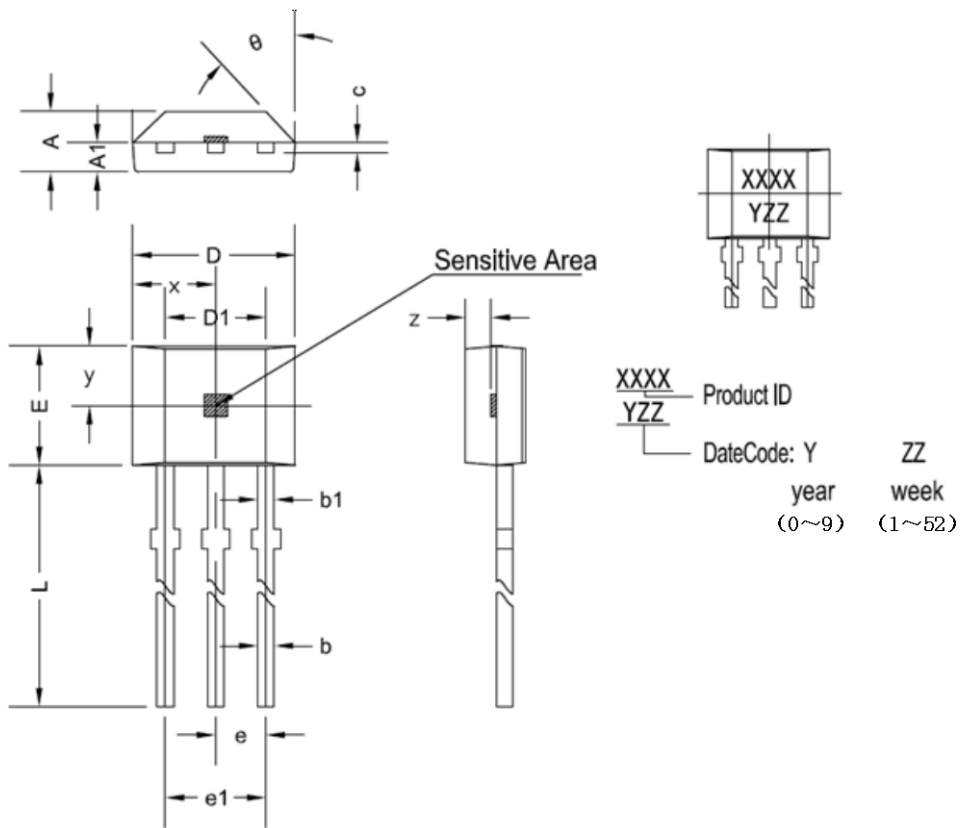
Automotive and Harsh, Noisy Environments Three-Wire Circuit is show below. Here, $R_V = 100$ ohms, $C_P = 4.7$ nF, and $C_L = 1$ nF.



Case 2 of typical application circuit

Package dimensions

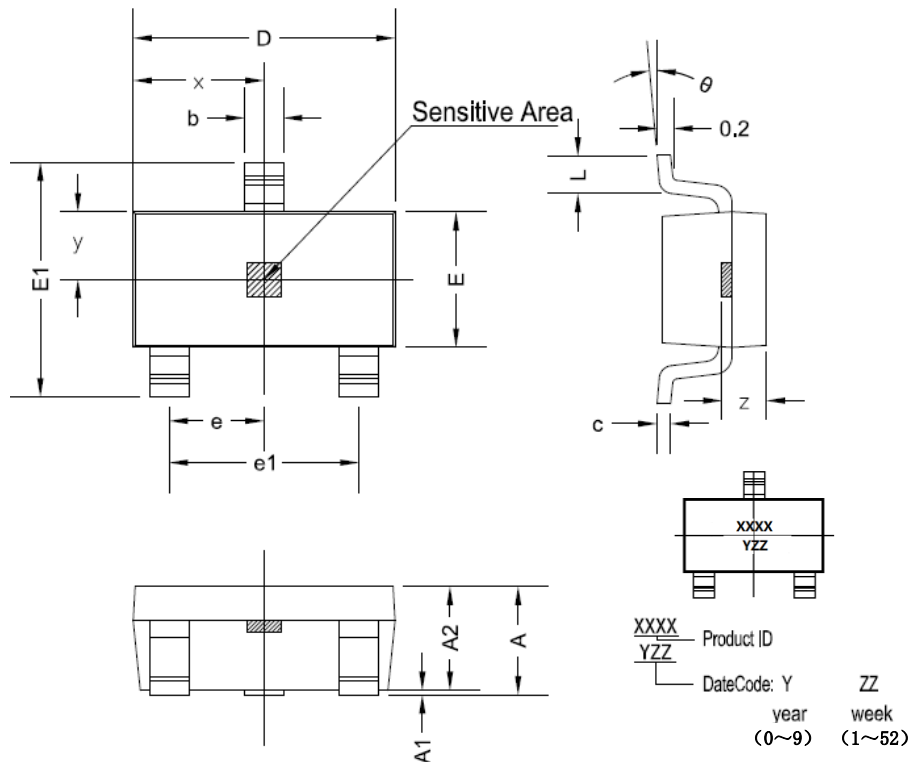
T092S



T092S dimensions

symbol	Size (mm)		Size (in inches)	
	minimum	maximum	minimum	maximum
A	1.42	1.67	0.056	0.066
A1	0.66	0.86	0.026	0.034
b	0.35	0.56	0.014	0.022
b1	0.4	0.55	0.016	0.022
C	0.36	0.51	0.014	0.02
D	3.9	4.2	0.154	0.165
D1	2.97	3.27	0.117	0.129
E	2.9	3.28	0.114	0.129
e	1.270 TYP		0.050 TYP	
e1	2.44	2.64	0.096	0.104
L	13.5	15.5	0.531	0.61
x	2.025TYP		0.080TYP	
y	1.545TYP		0.061TYP	
z	0.500TYP		0.020TYP	
θ	45°TYP		45°TYP	

SOT23



SOT23 dimensions

symbol	Size (mm)		Size (in inches)	
	minimum	maximum	minimum	maximum
A	1.05	1.25	0.041	0.049
A1	0	0.1	0	0.004
A2	1.05	1.15	0.041	0.045
b	0.3	0.5	0.012	0.02
c	0.100	0.2	0.004	0.008
D	2.82	3.02	0.111	0.119
E	1.5	1.7	0.059	0.067
E1	2.65	2.95	0.104	0.116
e	0.950 TYP		0.037 TYP	
e1	1.8	2	0.071	0.079
L	0.3	0.6	0.012	0.024
x	1.460TYP		0.057TYP	
y	0.800TYP		0.032TYP	
z	0.600TYP		0.024TYP	
θ	0°	8°	0°	8°

Copyright ©2020, Vinbelltech Co. Ltd

Vinbelltech Co. Ltd reserves the right to make, from time to time, such departures from the detail specifications as may be required to permit improvements in the performance, reliability, or manufacturability of its products. Before placing an order, the user is cautioned to verify that the information being relied upon is current.

Vinbelltech's products are not to be used in any devices or systems, including but not limited to life support devices or systems, in which a failure of Vinbelltech's product can reasonably be expected to cause bodily harm.

The information included herein is believed to be accurate and reliable. However, Vinbelltech Co. Ltd assumes no responsibility for its use; nor for any infringement of patents or other rights of third parties which may result from its use.